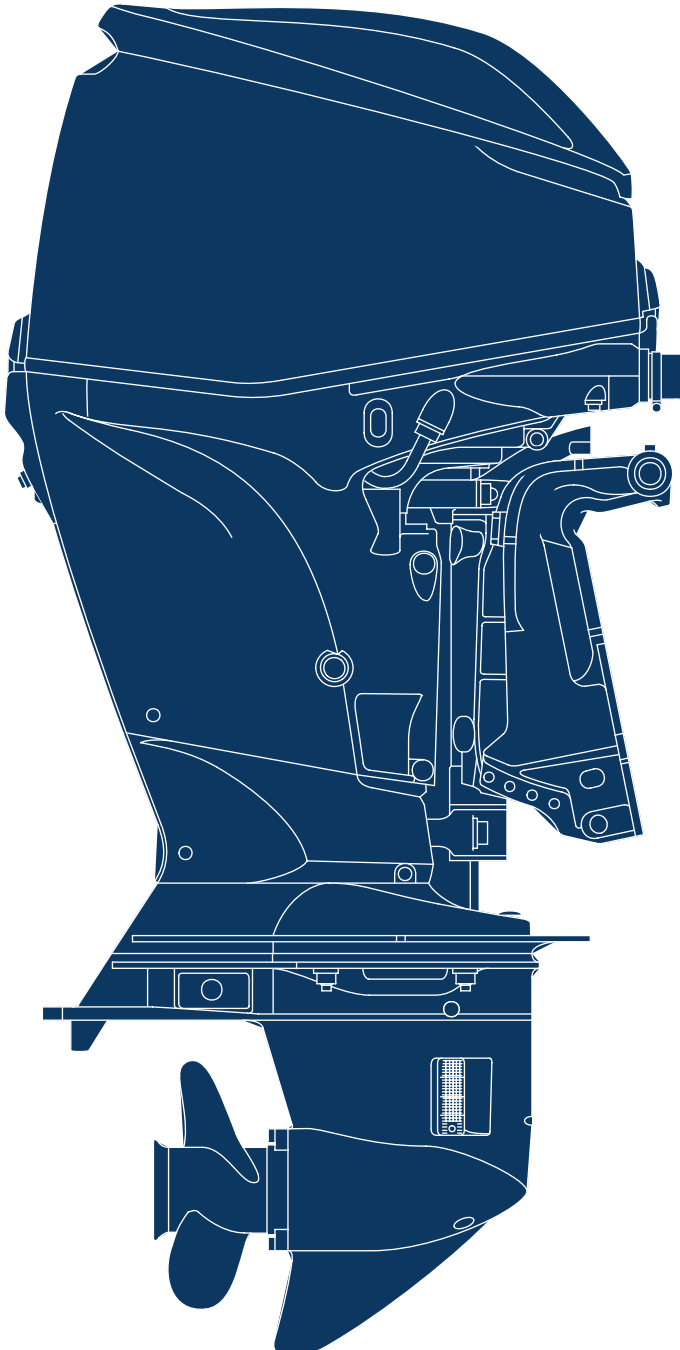


# 2017 PARTS CATALOG



 TOHATSU



## BFT 60A BFW 60A

OB NO.002-14ZZ3-0AG  
1610US



# Instruction for use of parts catalogue

- **This parts catalogue was prepared based on the latest information available as of October 1, 2016.**
- See the Service Bulletin for any revision that is made after October 1, 2016.
- **Always specify the part number when ordering a part.**
  - Check the model, type, serial numbers, color, maker, and the size as needed before ordering a part.
  - Note that the illustrations (part drawings) can differ from the actual parts in shape.  
Illustrations are given just to help you to refer to the parts.
- **When modifications or additions to this parts catalogue are made, a revised edition will be issued at an appropriate time, with successively progressing revision numbers on the cover. We recommend obtaining such revisions in order to keep your parts catalogue up-to-date at all times.**

Initial version issue date October 1, 2016

## CONTENTS

E-2	CYLINDER HEAD	1
E-3	CYLINDER BLOCK	5
E-5	OIL PUMP	9
E-6	OIL CASE	11
E-7	CRANKSHAFT/PISTON	13
E-9	CAMSHAFT	17
E-13	TIMING BELT	19
E-14	INLET MANIFOLD/INJECTOR	21
E-15	THROTTLE BODY	23
E-15-10	AIR GUIDE	25
E-18	TUBING	27
E-18-10	VAPOR SEPARATOR	29
E-19	A.C. GENERATOR	33
E-20	ELECTRONIC CONTROL UNIT	35
E-20-10	IGNITION COIL	37
E-21	STARTER MOTOR	39
EOP-1	GASKET KIT	41
F-2	SHIFT SHAFT	43
F-3	EXTENSION CASE	47
F-3-10	GEAR CASE (1)	49
F-3-11	GEAR CASE (2)	51
F-3-20	GEAR CASE ASSY	55
F-3-30	UPPER RUBBER MOUNT	57
F-4	WATER PUMP (1)	61
F-4-1	WATER PUMP (2)	65
F-5	PROPELLER SHAFT (1)	69
F-5-1	PROPELLER SHAFT (2)	73
F-6	FUEL TUBE	77
F-7	WIRE HARNESS	79
F-7-10	STARTER CABLE	81
F-7-20	ELECTRONIC PARTS CASE	83
F-7-30	A.C. GENERATOR COVER	85
F-7-40	TROLLING CONTROL SWITCH	87
F-8	ENGINE UNDER COVER	89
F-8-10	ENGINE COVER	93
F-10	STERN BRACKET	95
F-11	SWIVEL CASE	97
F-11-20	POWER TRIM TILT	99
F-12	LABEL	105
F-13	TOOL/OTHER PARTS	107
F-15	REMOTE CONTROL BOX (1)	109
F-15-1	REMOTE CONTROL BOX (2)	115
F-15-2	REMOTE CONTROL (NHK MEC) (HANDLE CAP = CHROME)	119
FOP-1	IMPELLER PUMP KIT	125
FOP-2-1	METER	127
FOP-2-4	INTERFACE CABLE KIT	129
FOP-3	SWITCH PANEL KIT (1)	131
FOP-3-1	SWITCH PANEL KIT (2)	135
FOP-4	REMOTE CONTROL BOX (TOP MOUNT SINGLE TYPE) (RIGHT)	137
FOP-4-2	REMOTE CONTROL BOX (TOP MOUNT DUAL TYPE) (RIGHT)	141
FOP-4-4	REMOTE CONTROL BOX (FLUSH MOUNT TYPE) (RIGHT)	145
FOP-6	PROPELLER	147
FOP-7	BOLT KIT	149
FOP-8	STEERING HANDLE KIT (COMPONENT PARTS)	151
FOP-8-10	STEERING ROD KIT	159
FOP-9	TILT LIMIT KIT/SPEED SENSOR TUBE KIT	161
	INDEX	163
	INDEX (Parts Number)	169



# How to refer to the part information

## A. Reference with "Illustrated index"

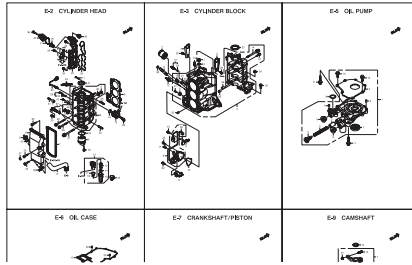


Fig. Number

Ref. Number/Part Number/Parts Name

Ref.No.	Part No.	Description	Q'ty	Remarks
E-2	H2V41215P-A40	METAL ANODE	3	3
E-2	H2Z31210-H0021A	HEAD COMP. CYLINDER	1	1
E-2	H2B11201-M010	BOLT, SEALING, 2.8MM	2	2
E-2	H2Z312041-H00	COVER, CAM THRUST	1	1
E-2	H2Z312011-H00	GASKET, CYLINDER HEAD	1	1
E-2	H2Z31210-H000	COVER, CYLINDER HEAD	1	1
E-2	H2Z312012-H000	PACKING, HEAD COVER	1	1
E-2	H2Z312010-H00	TUBE, OIL	1	1
E-2	H2B112011-H000	CAP, OIL/YELLOW	1	1
E-2	H2Z312100-H000	PUMP ASSY, FUEL	1	1
E-2	H2Z312011-H000	LIFTER, FUEL, PUMP	1	1
E-2	H2Z312000-H000	STRAINER ASSY, FUEL	1	1
E-2	H2Z312001-H000	FILTER	1	1
E-2	H2Z312006-H000	FLOAT	1	1
E-2	H2Z312012-H000	CUP	1	1
E-2	H2Z312015-H000	SUSPENSION, STRAINER	1	1
E-2	H2Z312018-H000	O-RING	1	1
E-2	H2Z312019-H000	O-RING	1	1
E-2	H2B112000-H000	THERMOSTAT ASSY.	1	1
E-2	H2B112001-H000	COVER, THERMOSTAT	1	1
E-2	H2B112002-H000	O-RING, THERMOSTAT COVER	1	1
E-2	H2Z312001-H000	COVER, WATER JACKET	1	1
E-2	H2Z312002-H000	PACKING, EX. WATER JACKET	1	1
E-2	H2Z312003-H000	PLUG, SPARK/MARIN-C	3	3
E-2	H2Z312005-H000	SENSOR, OXYGEN	1	1
E-2	H2Y12001-H000	SENSOR ASSY, WATER	1	1
E-2	H2Y12002-H000	SENSOR ASSY, TDC	1	1
E-2	H2B112000-H000	BOLT, FLANGE, 6X22	2	2
E-2	H2Z312003-H000	BOLT, FLANGE, 6X30	1	1

## B. Reference with "Parts number index"

INDEX (Parts Number)		
102411540	1515	394408040
106401130	47	394408040
106409720	50	394408040
106409720	913	394408040
106409720	917	394408040
106409720	918	394408040
106409720	940	394408040
106409720	942	394408040
106409720	943	394408040
106409720	944	394408040
106409720	945	394408040
106409720	946	394408040
106409720	947	394408040
106409720	948	394408040
106409720	949	394408040
106409720	950	394408040
106409720	951	394408040
106409720	952	394408040
106409720	953	394408040
106409720	954	394408040
106409720	955	394408040
106409720	956	394408040
106409720	957	394408040
106409720	958	394408040
106409720	959	394408040
106409720	960	394408040
106409720	961	394408040
106409720	962	394408040
106409720	963	394408040
106409720	964	394408040
106409720	965	394408040
106409720	966	394408040
106409720	967	394408040
106409720	968	394408040
106409720	969	394408040
106409720	970	394408040
106409720	971	394408040
106409720	972	394408040
106409720	973	394408040
106409720	974	394408040
106409720	975	394408040
106409720	976	394408040
106409720	977	394408040
106409720	978	394408040
106409720	979	394408040
106409720	980	394408040
106409720	981	394408040
106409720	982	394408040
106409720	983	394408040
106409720	984	394408040
106409720	985	394408040
106409720	986	394408040
106409720	987	394408040
106409720	988	394408040
106409720	989	394408040
106409720	990	394408040
106409720	991	394408040
106409720	992	394408040
106409720	993	394408040
106409720	994	394408040
106409720	995	394408040
106409720	996	394408040
106409720	997	394408040
106409720	998	394408040
106409720	999	394408040
106409720	1000	394408040

## C. Reference with "Parts name index"

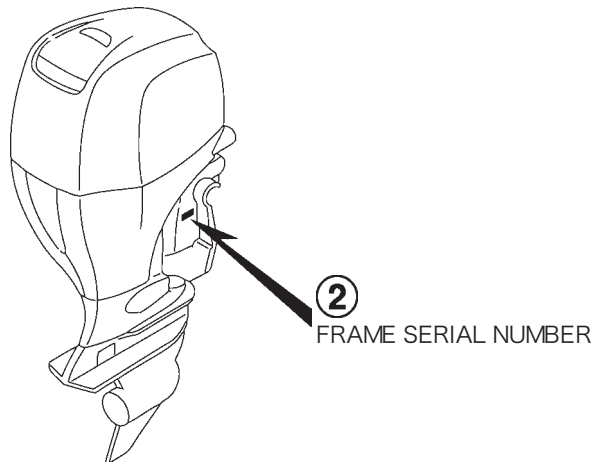
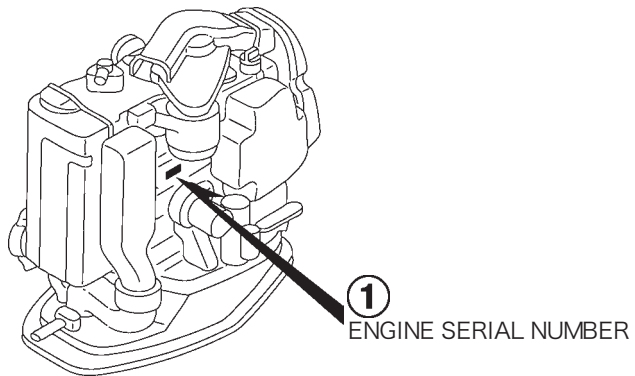
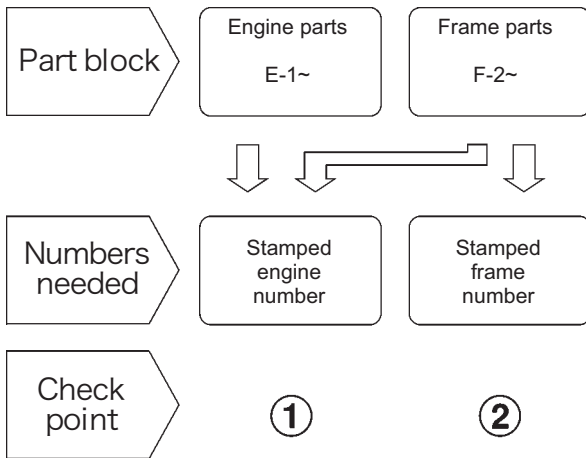
INDEX		
ADJ. SCREW	2128	BOLT
ADJUSTING NUT	24	BOLT
ADJUSTING SCREW	24	BOLT
ADJUSTING SCREW	24	BOLT
ADJUSTING SCREW	1512	BOLT
BE-BOLT	540	BOLT
BEVENT KEY	547	BOLT
ALTERNATOR ASSY	62	BOLT
ANODE	141	BOLT
ANODE	124	BOLT
ANODE	135	BOLT
ANODE PLUG	124	BOLT
APPER	1045	BOLT
ROBERT COOK/BELU-200	2140	BOLT
ROBERT COOK/BELU-200	2141	BOLT
ROBERT COOK/BELU-200	2142	BOLT
ROBERT COOK/BELU-200	2143	BOLT
ROBERT COOK/BELU-200	2144	BOLT
ROBERT COOK/BELU-200	2145	BOLT
ROBERT COOK/BELU-200	2146	BOLT
ROBERT COOK/BELU-200	2147	BOLT
ROBERT COOK/BELU-200	2148	BOLT
ROBERT COOK/BELU-200	2149	BOLT
ROBERT COOK/BELU-200	2150	BOLT
ROBERT COOK/BELU-200	2151	BOLT
ROBERT COOK/BELU-200	2152	BOLT
ROBERT COOK/BELU-200	2153	BOLT
ROBERT COOK/BELU-200	2154	BOLT
ROBERT COOK/BELU-200	2155	BOLT
ROBERT COOK/BELU-200	2156	BOLT
ROBERT COOK/BELU-200	2157	BOLT
ROBERT COOK/BELU-200	2158	BOLT
ROBERT COOK/BELU-200	2159	BOLT
ROBERT COOK/BELU-200	2160	BOLT
ROBERT COOK/BELU-200	2161	BOLT
ROBERT COOK/BELU-200	2162	BOLT
ROBERT COOK/BELU-200	2163	BOLT
ROBERT COOK/BELU-200	2164	BOLT
ROBERT COOK/BELU-200	2165	BOLT
ROBERT COOK/BELU-200	2166	BOLT
ROBERT COOK/BELU-200	2167	BOLT
ROBERT COOK/BELU-200	2168	BOLT
ROBERT COOK/BELU-200	2169	BOLT
ROBERT COOK/BELU-200	2170	BOLT
ROBERT COOK/BELU-200	2171	BOLT
ROBERT COOK/BELU-200	2172	BOLT
ROBERT COOK/BELU-200	2173	BOLT
ROBERT COOK/BELU-200	2174	BOLT
ROBERT COOK/BELU-200	2175	BOLT
ROBERT COOK/BELU-200	2176	BOLT
ROBERT COOK/BELU-200	2177	BOLT
ROBERT COOK/BELU-200	2178	BOLT
ROBERT COOK/BELU-200	2179	BOLT
ROBERT COOK/BELU-200	2180	BOLT
ROBERT COOK/BELU-200	2181	BOLT
ROBERT COOK/BELU-200	2182	BOLT
ROBERT COOK/BELU-200	2183	BOLT
ROBERT COOK/BELU-200	2184	BOLT
ROBERT COOK/BELU-200	2185	BOLT
ROBERT COOK/BELU-200	2186	BOLT
ROBERT COOK/BELU-200	2187	BOLT
ROBERT COOK/BELU-200	2188	BOLT
ROBERT COOK/BELU-200	2189	BOLT
ROBERT COOK/BELU-200	2190	BOLT
ROBERT COOK/BELU-200	2191	BOLT
ROBERT COOK/BELU-200	2192	BOLT
ROBERT COOK/BELU-200	2193	BOLT
ROBERT COOK/BELU-200	2194	BOLT
ROBERT COOK/BELU-200	2195	BOLT
ROBERT COOK/BELU-200	2196	BOLT
ROBERT COOK/BELU-200	2197	BOLT
ROBERT COOK/BELU-200	2198	BOLT
ROBERT COOK/BELU-200	2199	BOLT
ROBERT COOK/BELU-200	2200	BOLT

# Part catalogue structure

Ref.No.	Part No.	Description	Q.ty		Remarks
			10	15	
E-2	H2ZV-2155-000	METAL ANGLE	3	3	
E-2	H2ZV-12210-000A	HEAD COMP, CYLINDER	1	1	HEAD DARK GRAY
E-2	H2W-12211-010	BOLT SEALING 20MM	2	2	
E-2	H2ZV-1224-000	COVER CAM THROST	1	1	
E-2	H2ZV-1221-003	GASKET CYLINDER HEAD	1	1	
E-2	H2ZV-1233-000	COVER CYLINDER HEAD	1	1	
E-2	H2ZV-1231-000	PACKING HEAD COVER	1	1	
E-2	H2ZV-1420-000	TUBE OIL	1	1	
E-2	H2V-1381-1000	CAP OIL/YELLOW	1	1	
E-2	H2ZV-1430-003	PUMP ASSY, FUEL	1	1	
E-2	H2ZV-1411-000	LIFTER FUEL PUMP	1	1	
E-2	H2ZV-1490-003	STRAINER ASSY, FUEL	1	1	
E-2	H2ZV-1481-003	FILTER	1	1	
E-2	H2ZV-1489-003	FLOAT	1	1	
E-2	H2ZV-1481-003	CUP	1	1	
E-2	H2ZV-1481-003	SUSPENSION STRAINER	1	1	
E-2	H2ZV-1481-003	O-RING	1	1	
E-2	H2ZV-1481-003	O-RING	1	1	
E-2	H2W-1330-003	THERMOSTAT ASSY	1	1	
E-2	H2W-1331-000	COVER THERMOSTAT	1	1	
E-2	H2W-1331-000	O-RING THERMOSTAT COVER	1	1	
E-2	H2ZV-1481-000	COVER WATER JACKET	1	1	
E-2	H2ZV-1481-000	PACKING EX WATER JACKET	1	1	COVER
E-2	H2ZV-1489-003	FLUX SPARKPLUG/W-H	3	3	
E-2	H2ZV-1489-003	SENSOR OXYGEN	1	1	
E-2	H2V-1547-003	SENSOR ASSY, WATER	1	1	TEMPERATURE
E-2	H2V-1549-003	SENSOR ASSY, TDC	1	1	
E-2	H2W-1000-000	BOLT FLANGE 4X12	2	2	
E-2	H2ZV-1000-000	BOLT FLANGE 4X10	1	1	

- ① Fig. Number
- ② Fig. Title
- ③ Ref. Number
- ④ Parts Number
- ⑤ Parts Name
- ⑥ Q.ty
- ⑦ Remarks
- ⑧ Different specification
- ⑨ Direction Arrow
- ⑩ Parts enclosed within a dotted line are sub assembly parts.
- ⑪ A solid arrow indicates the block No. the part in question is connected to.

# How to check the part block and serial numbers



## Models, parts catalogue codes and applicable serial numbers

- Models, parts catalogue codes and applicable serial Nos. given in this parts catalogue can be identified as follows.

Model	Type	Parts catalogue type	Engine		Applicable engine serial No.	Applicable frame serial No.
			Model	Type		
BFT60A	LRTA	LRTA	BF60A	SE2	BEBFJ-1000001~	BBFJ-6000132~
BFW60A	LRTA	LRTA	BF60A	SE3	BEBFJ-1000001~	BBFJ-7000015~

## Features of each type

- See the following table for the features of each type. (Items in brackets are optional)

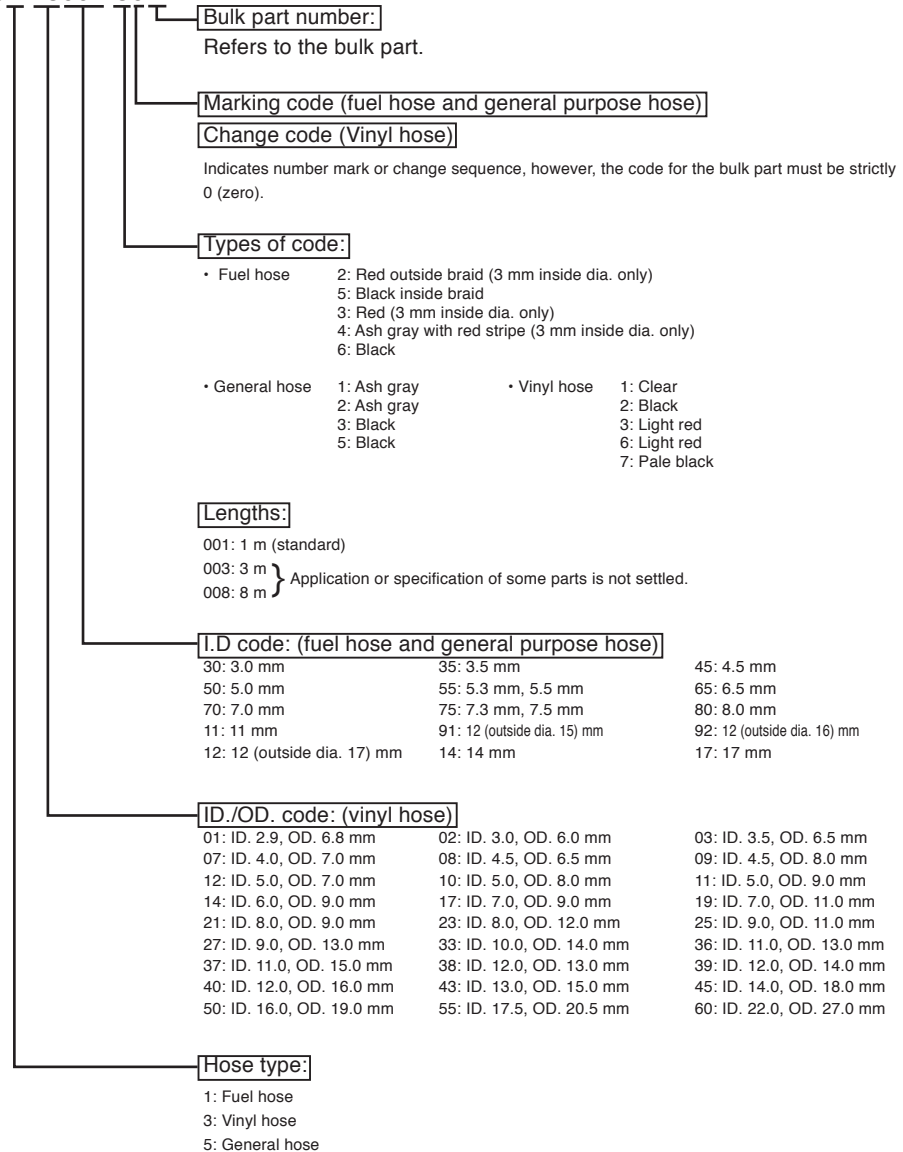
Specifications		Model	BFT 60A1
		Type	LRTA
Transom height	521 mm		●
Propeller	11-3/8 x 12		(●)
	11-1/8 x 13		(●)
	11-1/8 x 14		●
	11 x 15		(●)
	11 x 16		(●)
	11 x 17		(●)
Steering handle			(●)
Remote control			●
Trolling control switch			(●)

# Fuel hose, general purpose hoses and vinyl hose

- The standard part fuel hose, general purpose hose and vinyl hose may be substituted by the coiled bulk part.
- When ordering the standard part fuel hose, general purpose hose and vinyl hose use the bulk part number written in the parts catalog in brackets ( ) underneath the part name.
- When exchanging the hose, cut and use at the specified length as mentioned in the part name. (For the method of cutting the bulk part, and method of filling out orders etc., please refer to the instructions issued with the bulk part.)

## Bulk part number of fuel hose, general purpose hose and vinyl hose.

Example: 95001-75001-50M

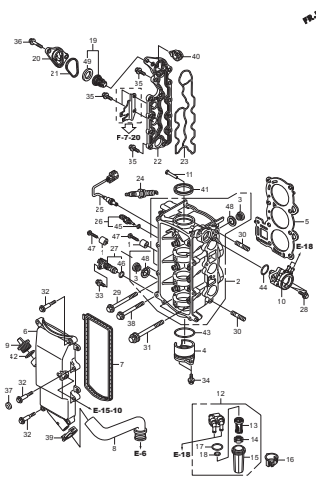


## CAUTION: It is DANGEROUS to confuse the fuel hose with the general purpose hose or vinyl hose.

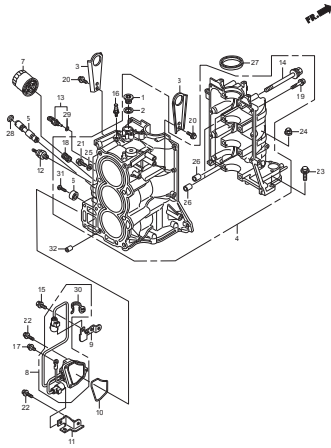
Never use a general purpose hose or vinyl hose in place of a fuel hose or vice versa.

Always use the correct bulk part in the parts catalogue, according to the service manual or the instructions issued with the bulk part.

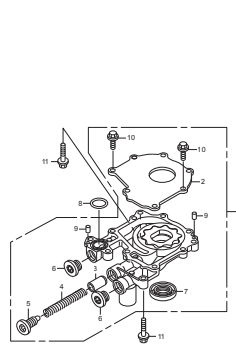
E-2 CYLINDER HEAD



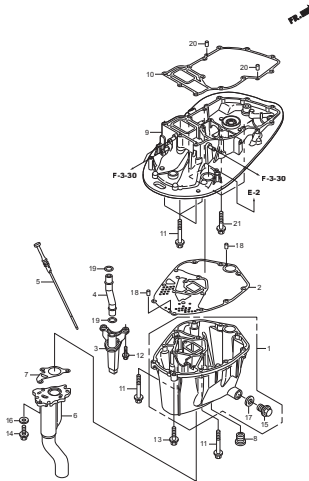
E-3 CYLINDER BLOCK



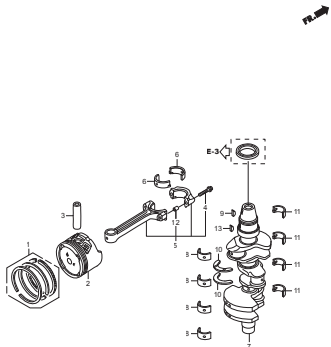
E-5 OIL PUMP



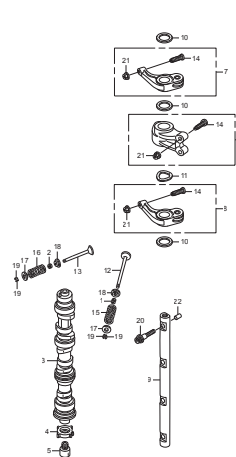
E-6 OIL CASE



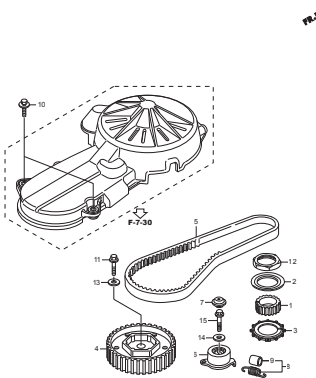
E-7 CRANKSHAFT/PISTON



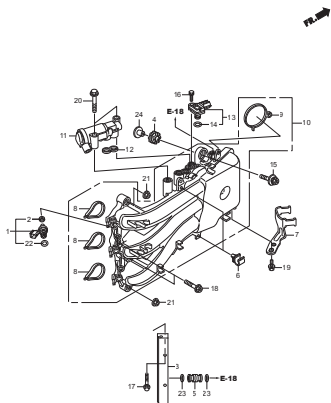
E-9 CAMSHAFT



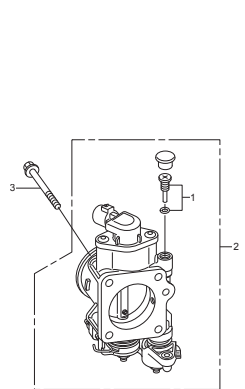
E-13 TIMING BELT



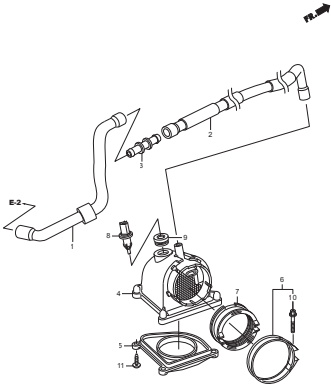
E-14 INLET MANIFOLD/INJECTOR



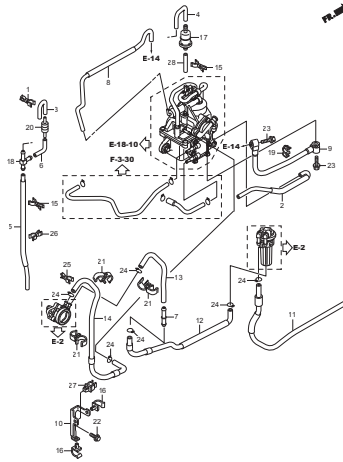
E-15 THROTTLE BODY



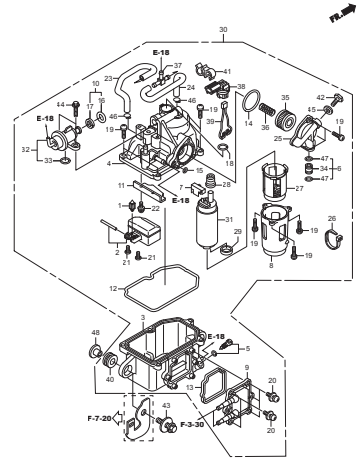
E-15-10 AIR GUIDE



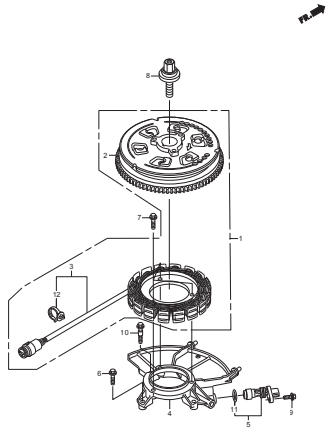
E-18 TUBING



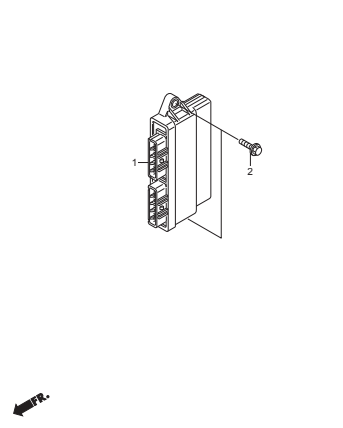
E-18-10 VAPOR SEPARATOR



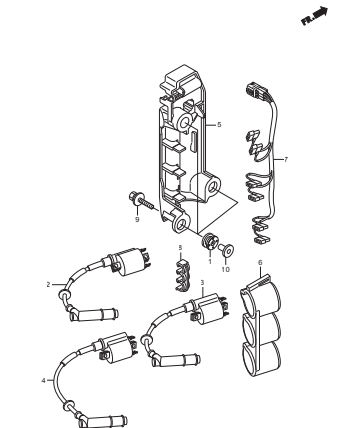
E-19 A.C. GENERATOR



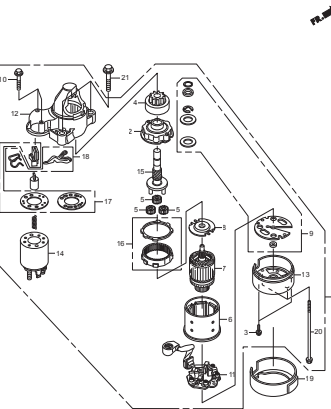
E-20 ELECTRONIC CONTROL UNIT



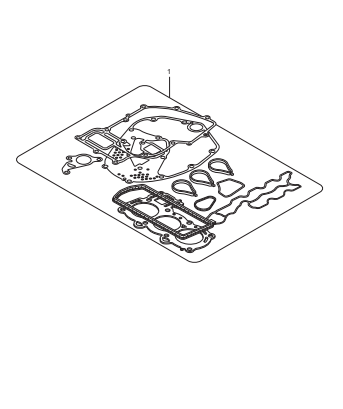
E-20-10 IGNITION COIL



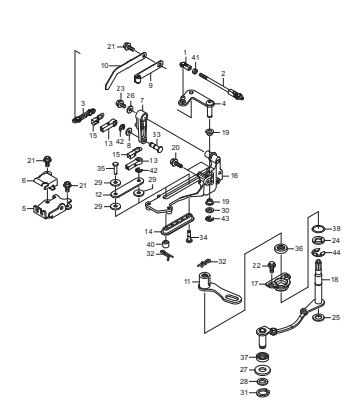
E-21 STARTER MOTOR



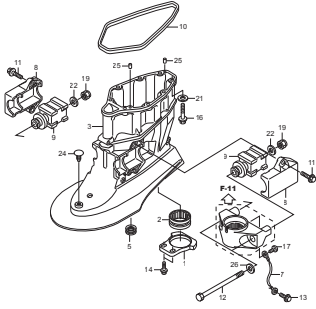
EOP-1 GASKET KIT



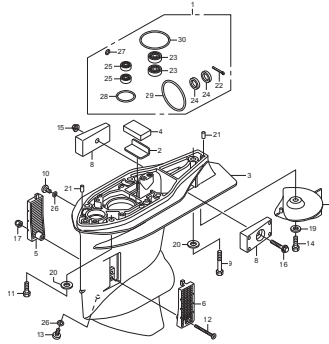
F-2 SHIFT SHAFT



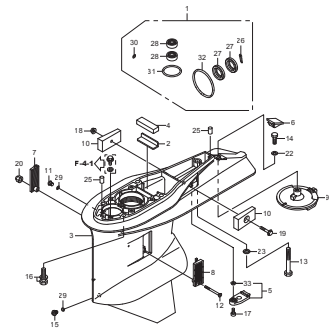
F-3 EXTENSION CASE



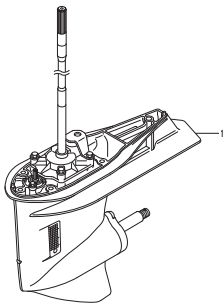
F-3-10 GEAR CASE (1)



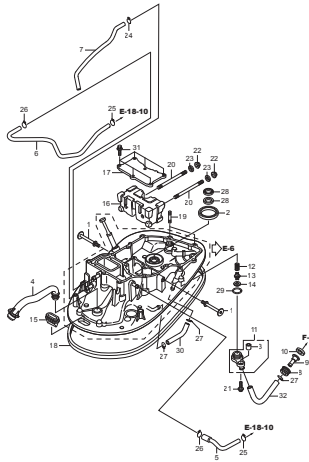
F-3-11 GEAR CASE (2)



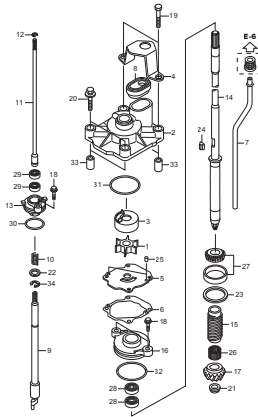
F-3-20 GEAR CASE ASSY



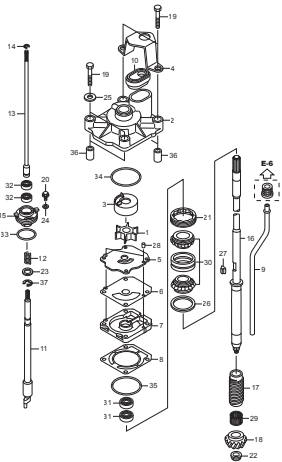
F-3-30 UPPER RUBBER MOUNT



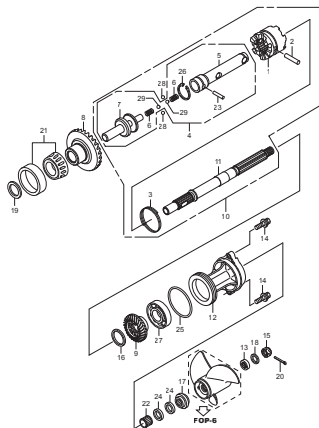
F-4 WATER PUMP (1)



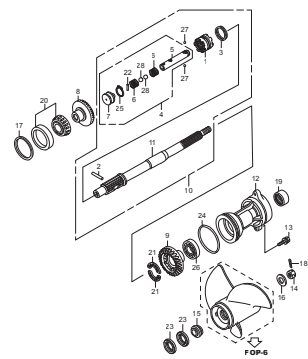
F-4-1 WATER PUMP (2)



F-5 PROPELLER SHAFT (1)

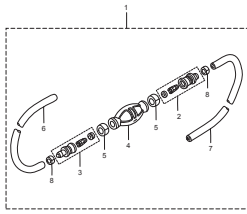


F-5-1 PROPELLER SHAFT (2)

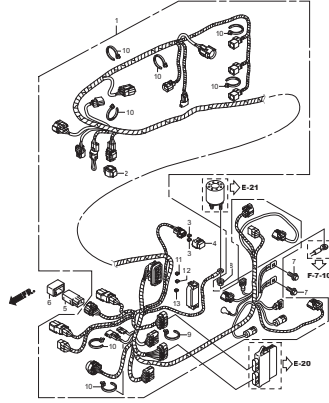




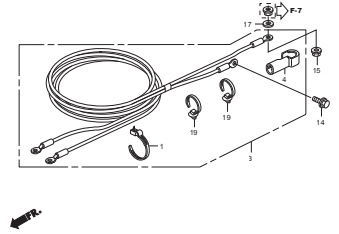
F-6 FUEL TUBE



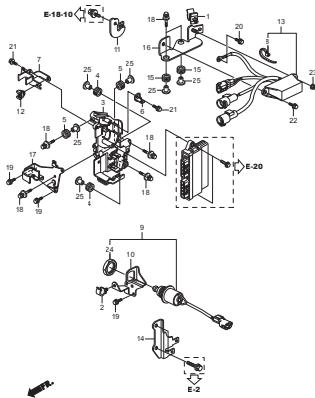
F-7 WIRE HARNESS



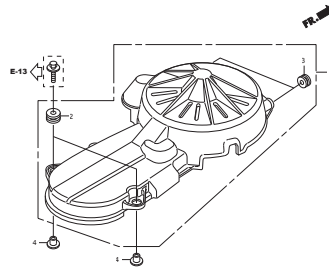
F-7-10 STARTER CABLE



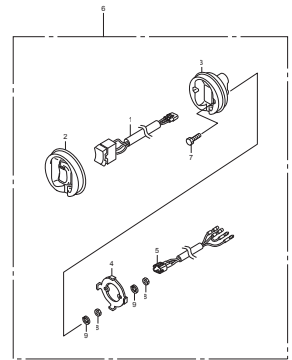
F-7-20 ELECTRONIC PARTS CASE



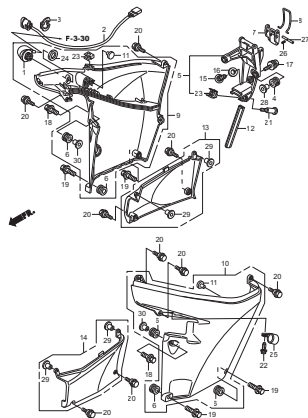
F-7-30 A.C. GENERATOR COVER



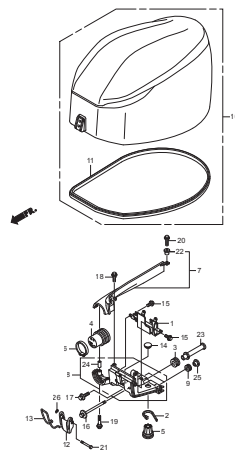
F-7-40 TROLLING CONTROL SWITCH



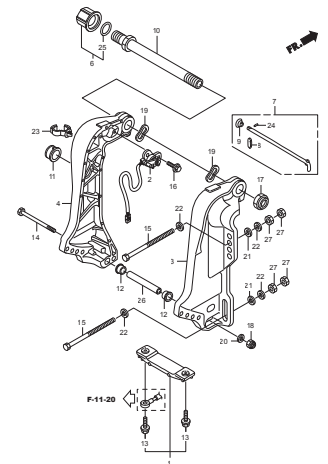
F-8 ENGINE UNDER COVER



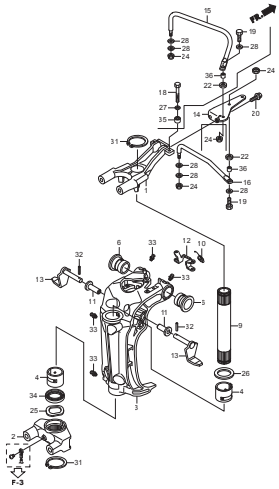
F-8-10 ENGINE COVER



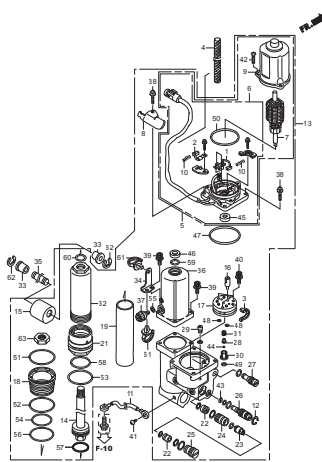
F-10 STERN BRACKET



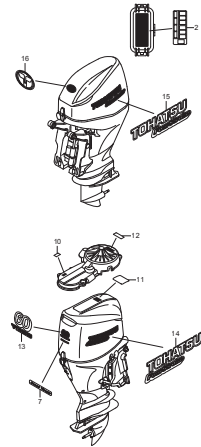
F-11 SWIVEL CASE



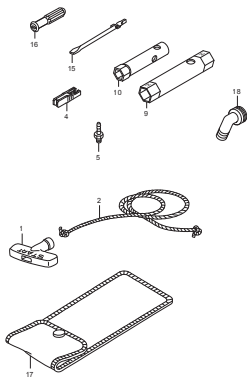
F-11-20 POWER TRIM TILT



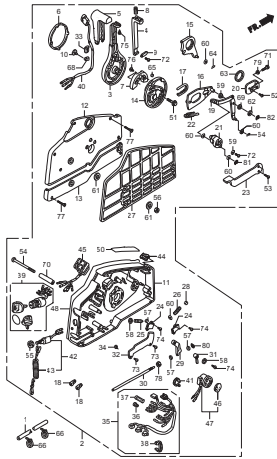
F-12 LABEL



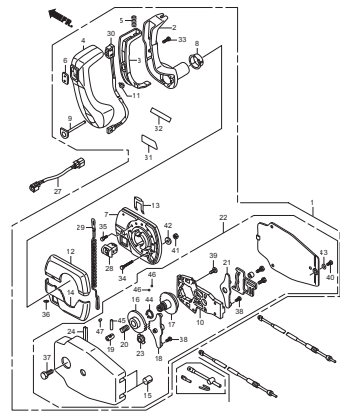
F-13 TOOL/OTHER PARTS



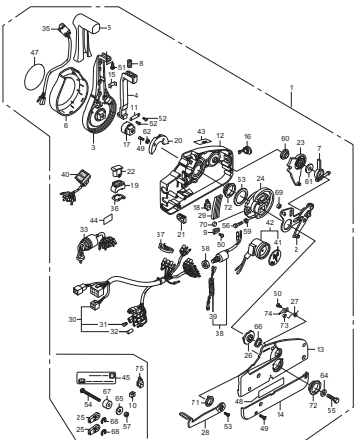
F-15 REMOTE CONTROL BOX (1)



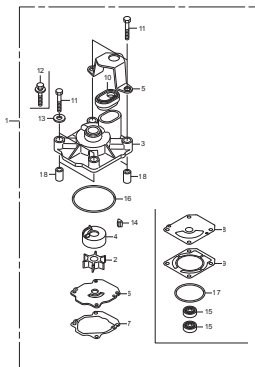
F-15-1 REMOTE CONTROL BOX (2)



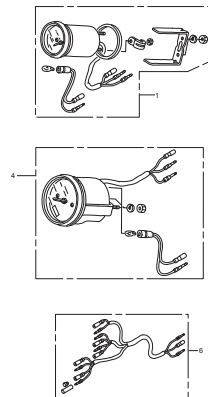
F-15-2 REMOTE CONTROL (NHK MEC) (HANDLE CAP = CHROME)



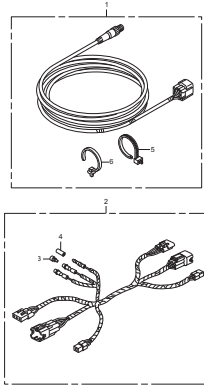
FOP-1 IMPELLER PUMP KIT



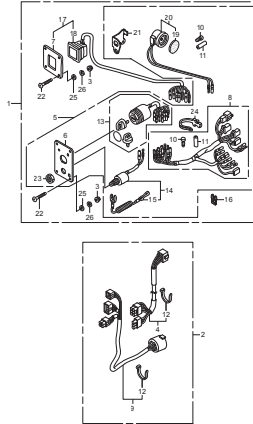
FOP-2-1 METER



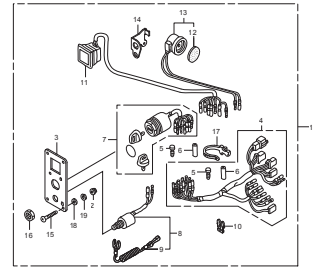
FOP-2-4 INTERFACE CABLE KIT



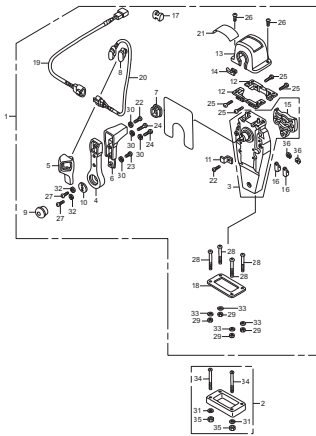
FOP-3 SWITCH PANEL KIT (1)



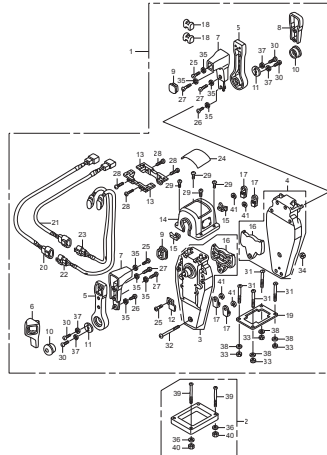
FOP-3-1 SWITCH PANEL KIT (2)



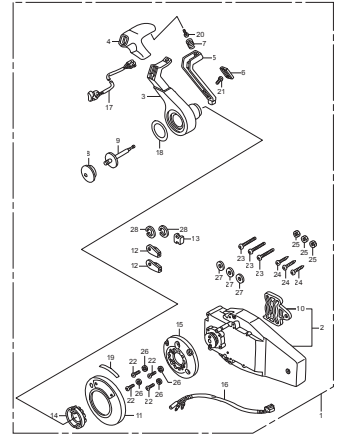
FOP-4 REMOTE CONTROL BOX (TOP MOUNT SINGLE TYPE) (RIGHT)



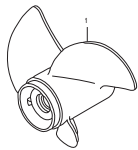
FOP-4-2 REMOTE CONTROL BOX (TOP MOUNT DUAL TYPE) (RIGHT)



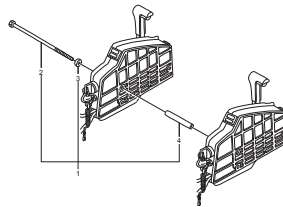
FOP-4-4 REMOTE CONTROL BOX (FLUSH MOUNT TYPE) (RIGHT)



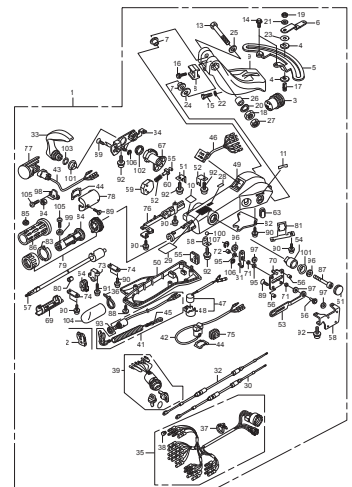
FOP-6 PROPELLER



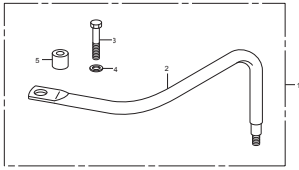
FOP-7 BOLT KIT



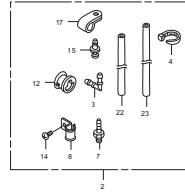
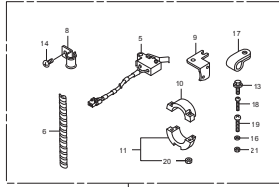
FOP-8 STEERING HANDLE KIT (COMPONENT PARTS)



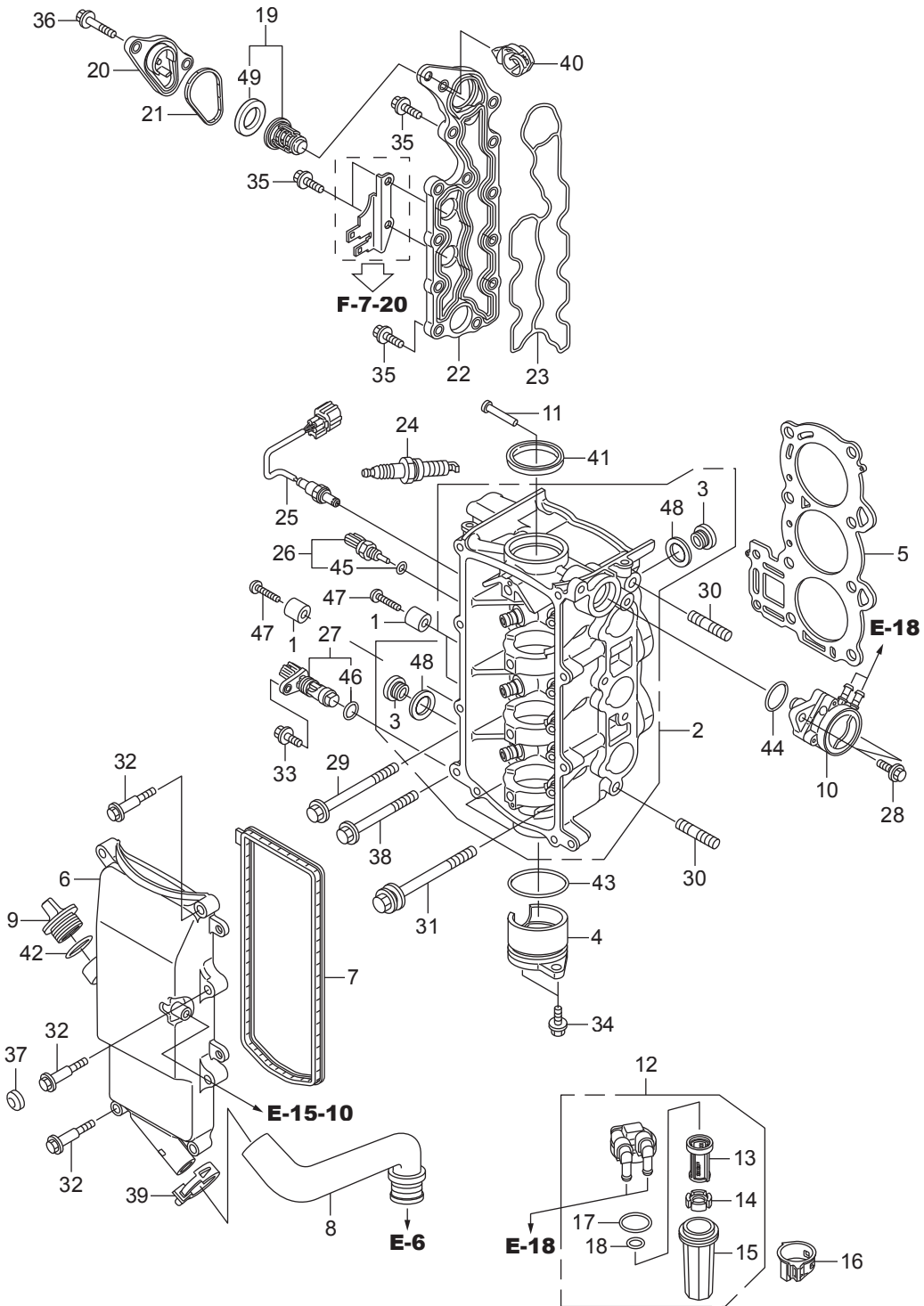
FOP-8-10 STEERING ROD KIT



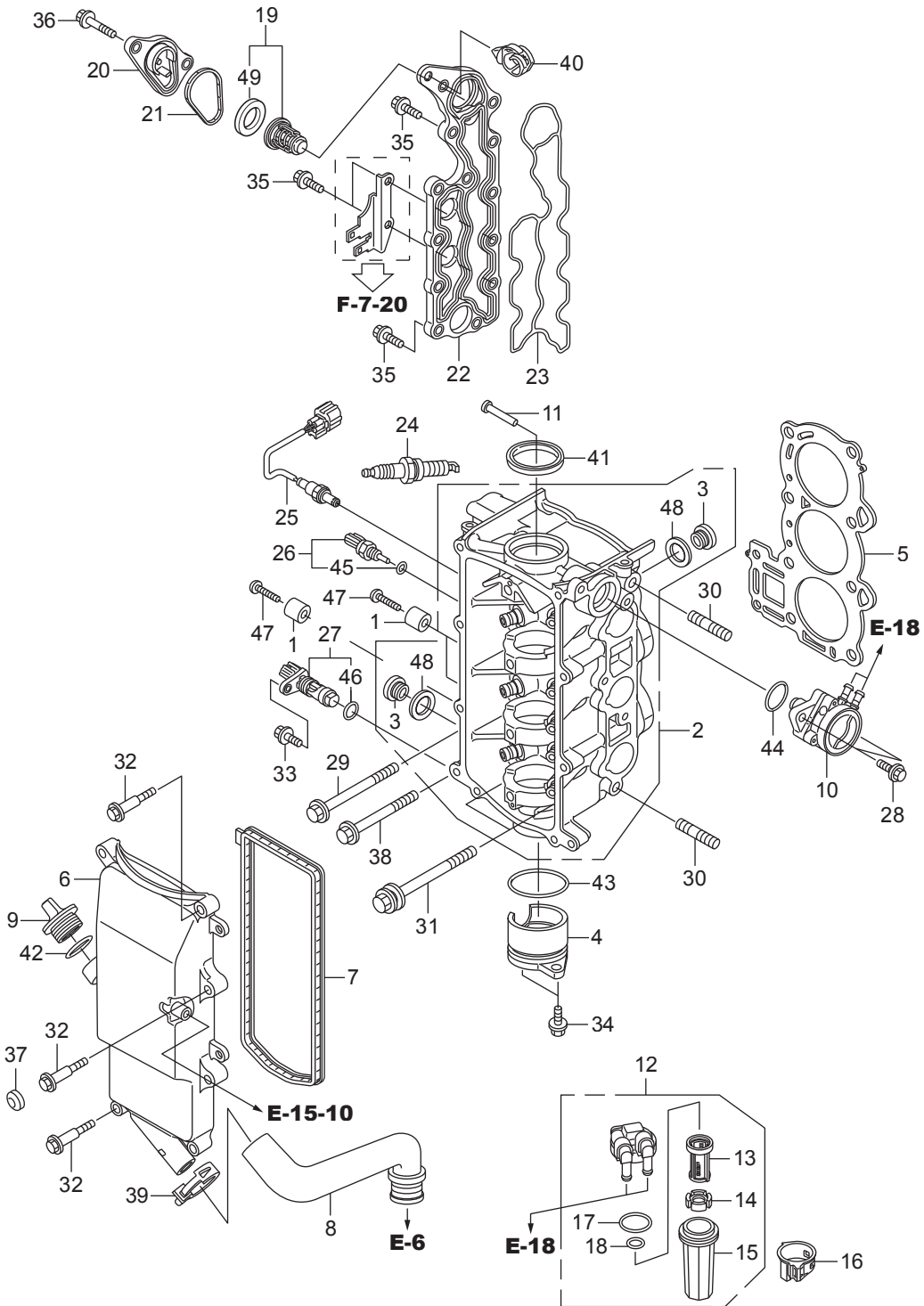
FOP-9 TILT LIMIT KIT/SPEED SENSOR TUBE KIT





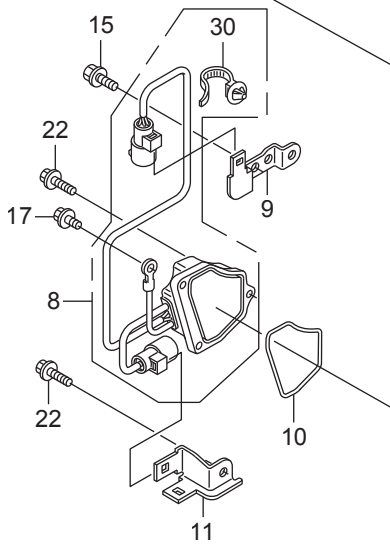
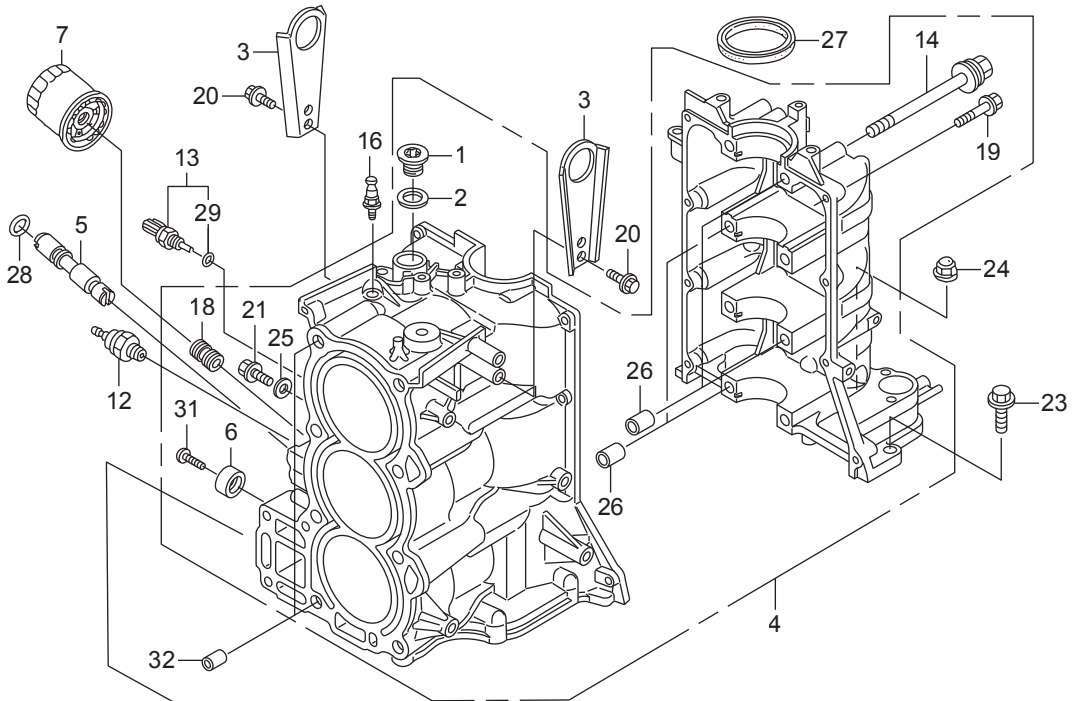


Ref.No.	Part No.	Description	Q' ty		Remarks	
			BFT60A	BFW60A		
E-2	1	HZV4-12155-A00	METAL, ANODE	3	3	
E-2	2	HZZ3-12210-000ZA	HEAD COMP., CYLINDER	1	1	*NH8* DARK GRAY
E-2	3	HZW1-12217-010	BOLT, SEALING, 20MM	2	2	
E-2	4	HZZ3-12241-000	COVER, CAM THRUST	1	1	
E-2	5	HZZ3-12251-003	GASKET, CYLINDER HEAD	1	1	
E-2	6	HZZ3-12310-000	COVER, CYLINDER HEAD	1	1	
E-2	7	HZZ3-12312-000	PACKING, HEAD COVER	1	1	
E-2	8	HZZ3-15422-000	TUBE, OIL	1	1	
E-2	9	H921-15611-000	CAP, OIL(YELLOW)	1	1	
E-2	10	HZZ3-16700-003	PUMP ASSY., FUEL	1	1	
E-2	11	HZZ3-16717-000	LIFTER, FUEL PUMP	1	1	
E-2	12	HZZ5-16900-003	STRAINER ASSY., FUEL	1	1	
E-2	13	HZZ5-16901-003	FILTER	1	1	
E-2	14	HZZ5-16906-003	FLOAT	1	1	
E-2	15	HZZ5-16912-003	CUP	1	1	
E-2	16	HZZ3-16915-000	SUSPENSION, STRAINER	1	1	
E-2	17	HZZ5-16918-003	O-RING	1	1	
E-2	18	HZZ5-16919-003	O-RING	1	1	
E-2	19	HZW9-19300-003	THERMOSTAT ASSY.	1	1	
E-2	20	HZW9-19315-000	COVER, THERMOSTAT	1	1	
E-2	21	HZW9-19317-000	O-RING, THERMOSTAT COVER	1	1	
E-2	22	HZZ3-19361-000	COVER, WATER JACKET	1	1	
E-2	23	HZZ3-19371-000	PACKING, EX. WATER JACKET	1	1	COVER
E-2	24	HZZ3-31908-003	PLUG, SPARK(LMAR6C-9)	3	3	
E-2	25	HZZ3-35655-003	SENSOR, OXYGEN	1	1	
E-2	26	HZY3-35673-003	SENSOR ASSY., WATER	1	1	TEMPERATURE
E-2	27	HZY9-35695-003	SENSOR ASSY., TDC	1	1	
E-2	28	HZW9-90003-000	BOLT, FLANGE, 6X22	2	2	
E-2	29	HZZ3-90003-000	BOLT, FLANGE, 8X90	1	1	

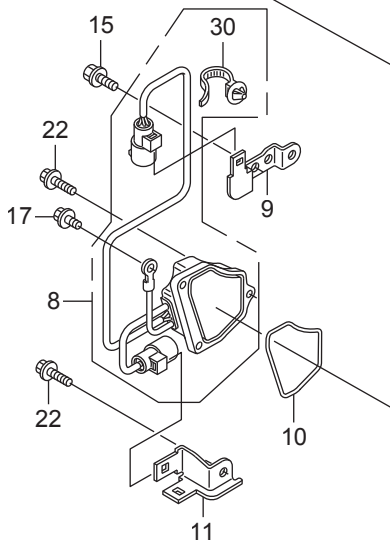
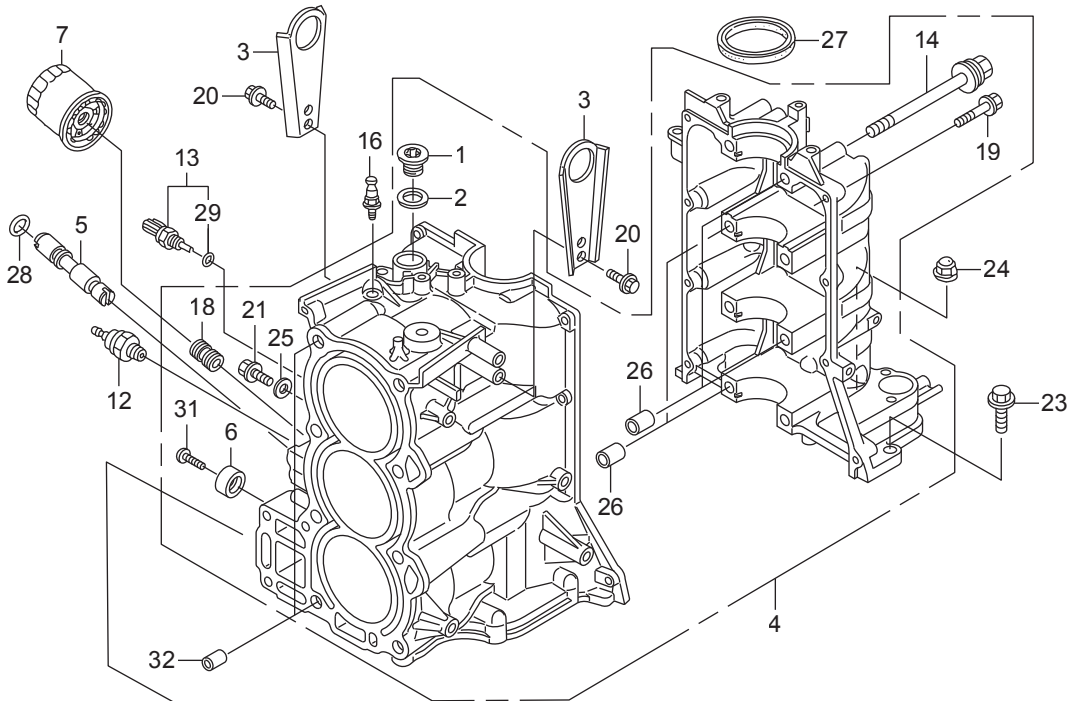




Ref.No.	Part No.	Description	Q' ty		Remarks	
			BFT60A	BFW60A		
E-2	30	HZZ3-90004-000	BOLT, STUD, 8X32	2	2	
E-2	31	HMEL-90007-003	BOLT-WASHER, 9X105	8	8	
E-2	32	HZZ3-90011-000	BOLT, HEAD COVER	8	8	
E-2	33	HZY3-90017-000	BOLT, FLANGE, 6X16	1	1	
E-2	34	HZW5-90018-000	BOLT, FLANGE, 6X20	2	2	
E-2	35	HZY3-90030-000	BOLT, FLANGE, 6X22	11	11	
E-2	36	HZY3-90063-000	BOLT, FLANGE, 6X37	2	2	
E-2	37	HZW4-90082-H01	CAP, BOLT, 6MM	1	1	
E-2	38	HZW4-90158-000	BOLT, FLANGE, 8X70	1	1	
E-2	39	HZW5-90606-030	CLAMP, TUBE(D29)	1	1	
E-2	40	HSA0-90683-003	CLIP, WIRE HARNESS, 25MM	1	1	
E-2	41	HZE3-91201-004	OIL SEAL, 35X52X8(ARAI)	1	1	
E-2	42	H805-91301-000	O-RING, 26X2.7	1	1	
E-2	43	HPX4-91302-004	O-RING, 46.8X2.2(NOK)	1	1	
E-2	44	HZW9-91303-000	O-RING, 31.2X2.4	1	1	
E-2	45	HPNA-91307-003	O-RING, 9.5X1.9	1	1	
E-2	46	HPNA-91333-003	O-RING, 15X1.9	1	1	
E-2	47	HCO-93500-05020-4J	SCREW, PAN, 5X20	3	3	
E-2	48	HCO-94109-20000	WASHER, DRAIN PLUG, 20MM	2	2	
E-2	49	HZW9-19303-003	RUBBER, RING	1	1	

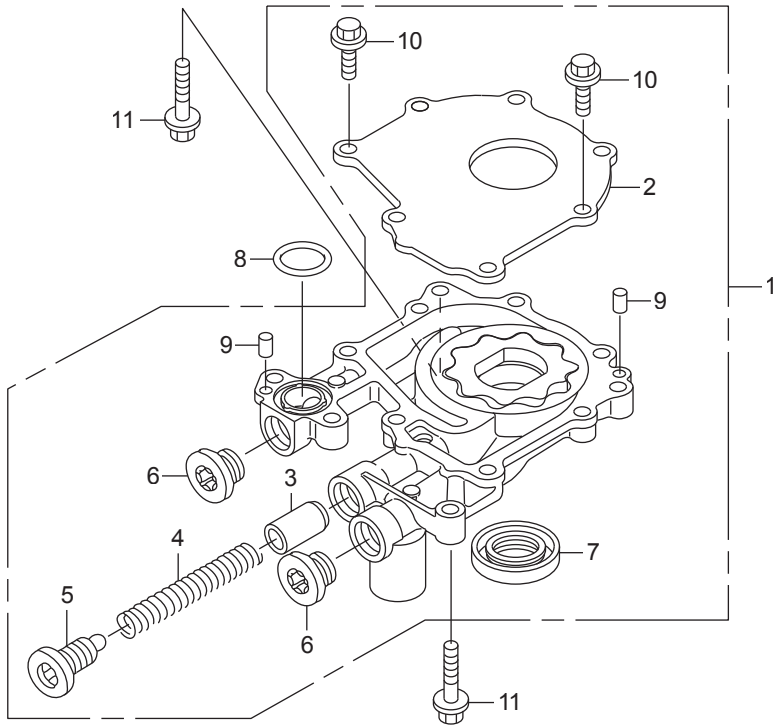


Ref.No.	Part No.	Description	Q'ty		Remarks	
			BFT60A	BFW60A		
E-3	1	HZZ3-11106-300	BOLT, SEALING, 24MM	1	1	
E-3	2	HPWA-11107-300	WASHER, SEALING, 24MM	1	1	
E-3	3	HZZ3-11911-000	HANGER, ENGINE	2	2	
E-3	4	HZZ3-12000-405ZA	BLOCK ASSY., CYLINDER	1	1	*NH8* DARK GRAY
E-3	5	HZZ3-12109-000	BOLT, BLOCK OIL DRAIN	1	1	
E-3	6	HZV5-12155-000	METAL, ANODE	1	1	
E-3	7	HPFB-15400-014	CARTRIDGE, OIL FILTER	1	1	(TOYO ROKI)
E-3	8	HZZ3-31750-003	RECTIFIER ASSY., REGULATOR	1	1	
E-3	9	HZZ3-31752-000	BRACKET A, REGULATOR COUPLER	1	1	
E-3	10	HZZ3-31754-000	PACKING, REGULATOR	1	1	
E-3	11	HZZ3-31756-000	BRACKET B, REGULATOR COUPLER	1	1	
E-3	12	HZZ3-35490-003	SWITCH ASSY., OIL PRESSURE	1	1	
E-3	13	HZY3-35673-003	SENSOR ASSY., WATER	1	1	TEMPERATURE
E-3	14	HZZ3-90001-003	BOLT-WASHER, 9X100	8	8	
E-3	15	HZW9-90011-000	BOLT, FLANGE, 6X14(CT200)	1	1	
E-3	16	HZV5-90012-013	BOLT, TIMING BELT ADJUSTING	1	1	SPRING
E-3	17	HZW9-90013-000	BOLT, FLANGE, 6X12	1	1	
E-3	18	H590-90015-000	HOLDER, OIL FILTER	1	1	
E-3	19	HZY3-90016-000	BOLT, FLANGE, 6X28	8	8	
E-3	20	HZY3-90017-000	BOLT, FLANGE, 6X16	4	4	
E-3	21	HZY3-90021-000	BOLT, FLANGE, 6X14	1	1	
E-3	22	HZY3-90030-000	BOLT, FLANGE, 6X22	3	3	
E-3	23	HZY3-90035-000	BOLT, FLANGE, 8X28	2	2	
E-3	24	HZY9-90201-000	NUT, FLANGE CAP, 8MM	2	2	
E-3	25	H397-90442-000	WASHER, SEALING, 6MM	1	1	
E-3	26	HPD2-90701-000	DOWEL PIN, 12X14	4	4	
E-3	27	HPW5-91204-005	OIL SEAL, 52X72X8(NOK)	1	1	
E-3	28	HME5-91304-003	O-RING, 5.1X2.2(ARAI)	1	1	
E-3	29	HPNA-91307-003	O-RING, 9.5X1.9	1	1	

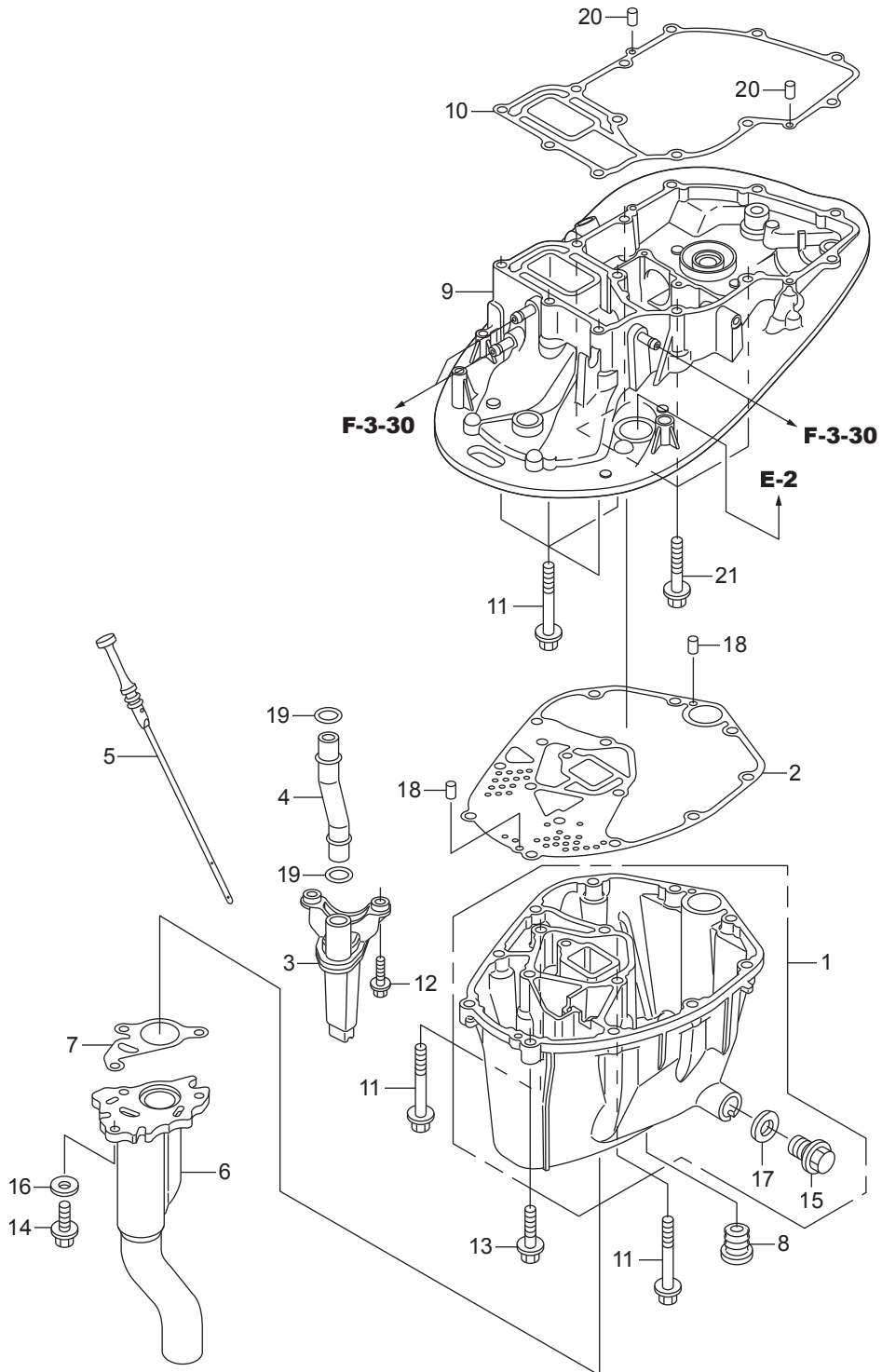


Ref.No.	Part No.	Description	Q'ty		Remarks	
			BFT60A	BFW60A		
E-3	30	HS0A-91541-003	CLIP, HARNESS BAND(BLACK)	1	1	(145MM)
E-3	31	HCO-93500-06018-4J	SCREW, PAN, 6X18	1	1	
E-3	32	HCO-94301-14200	DOWEL PIN, 14X20	2	2	

FR. 

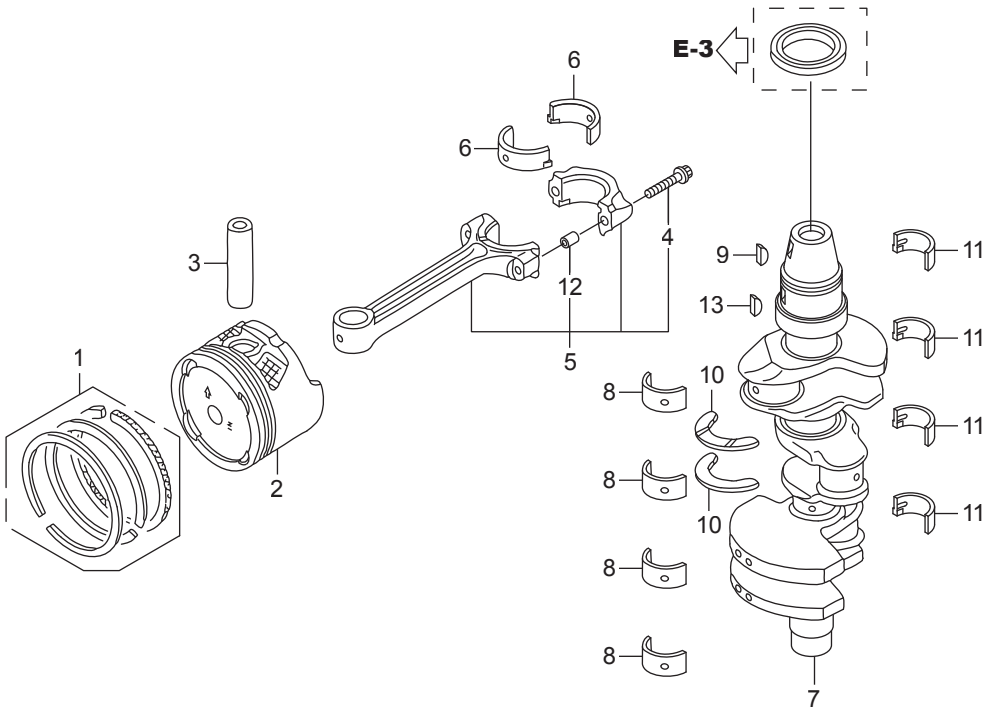


Ref.No.	Part No.	Description	Q'ty		Remarks	
			BFT60A	BFM60A		
E-5	1	HZZ3-15100-000	PUMP ASSY., OIL	1	1	
E-5	2	HZZ3-15121-000	COVER, OIL PUMP	1	1	
E-5	3	HPFB-15231-003	VALVE, RELIEF	1	1	
E-5	4	HKT8-15232-000	SPRING, RELIEF VALVE	1	1	
E-5	5	HZZ3-15236-000	BOLT, SEALING, 14MM	1	1	
E-5	6	HPE0-15301-300	BOLT, SEALING, 14MM	2	2	
E-5	7	HP01-91212-003	OIL SEAL, 31X46X7(NOK)	1	1	
E-5	8	HPC9-91331-003	O-RING, 21.2X2.4(ARAI)	1	1	
E-5	9	HCO-96220-50080	ROLLER, 5X8	2	2	
E-5	10	HCO-96300-06014-09	BOLT, FLANGE, 6X14	7	7	
E-5	11	HCO-96300-06025-09	BOLT, FLANGE, 6X25	5	5	

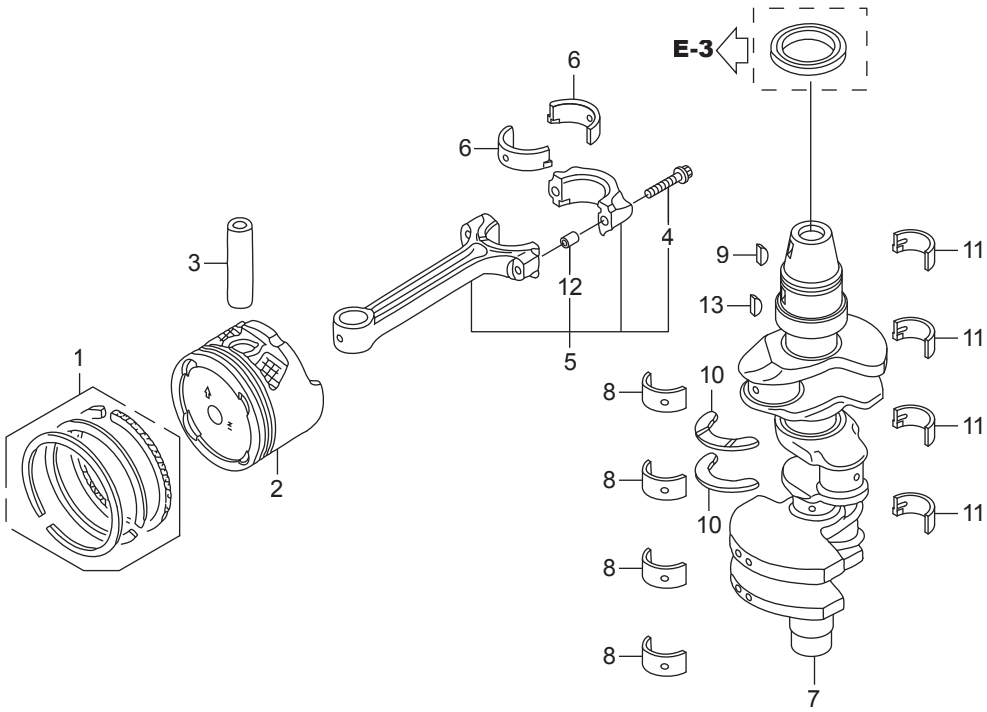






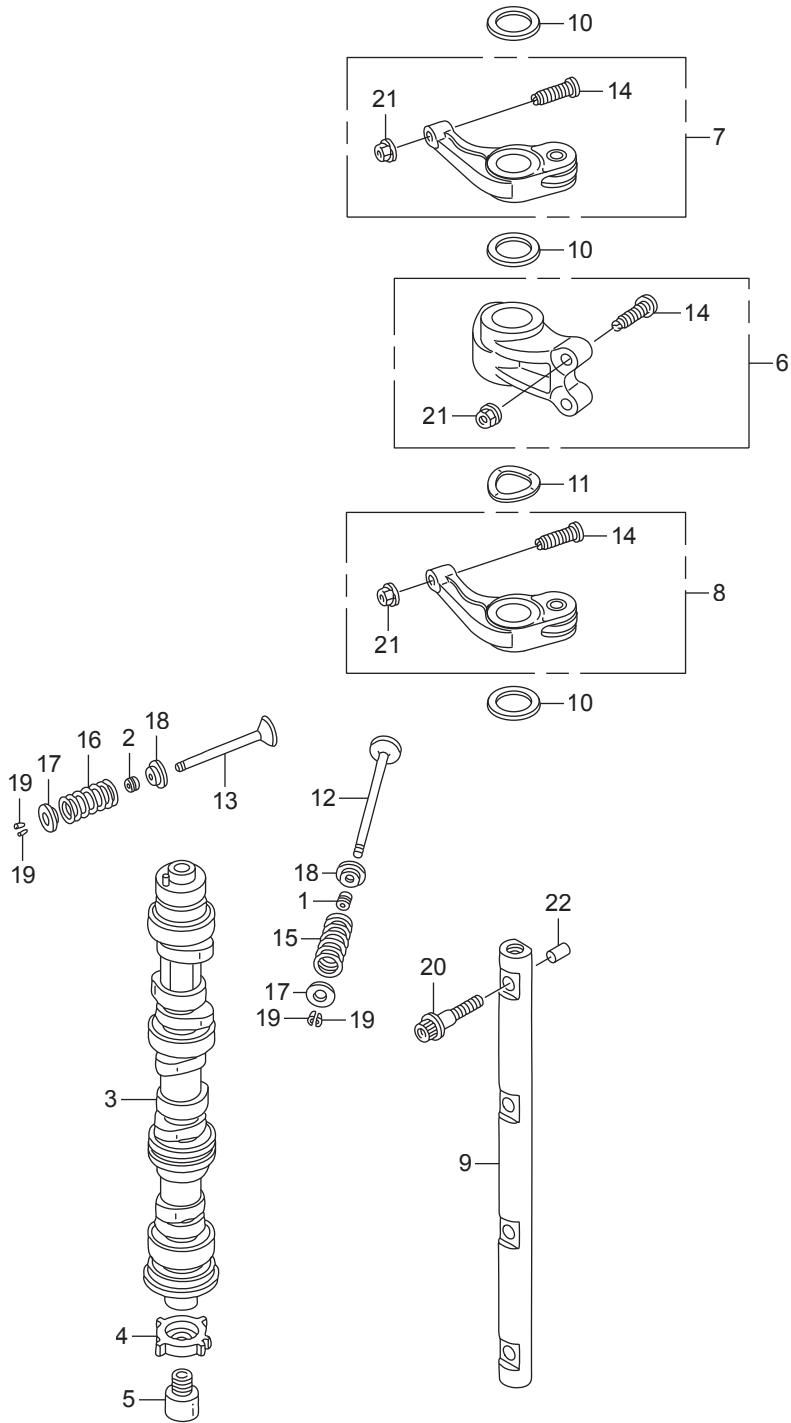


Ref.No.	Part No.	Description	Q' ty		Remarks	
			BFT60A	BFW60A		
E-7	1	HZZ3-13010-010	RING SET, PISTON(STD.)(RIKEN)	3	3	
E-7	2	HZZ3-13101-010	PISTON	3	3	
E-7	3	HPWA-13111-000	PIN, PISTON	3	3	
E-7	4	HPWA-13204-003	BOLT, CONNECTING ROD	6	6	
E-7	5	HZZ3-13210-000	ROD COMP., CONNECTING	3	3	
E-7	6	HPWA-13211-003	BEARING A, CONNECTING ROD	6	6	(BLUE)(DAIDO)
E-7	6	HPWA-13212-003	BEARING B, CONNECTING ROD	6	6	(BLACK)(DAIDO)
E-7	6	HPWA-13213-003	BEARING C, CONNECTING ROD	6	6	(BROWN)(DAIDO)
E-7	6	HPWA-13214-003	BEARING D, CONNECTING ROD	6	6	(GREEN)(DAIDO)
E-7	6	HPWA-13215-003	BEARING E, CONNECTING ROD	6	6	(YELLOW)(DAIDO)
E-7	6	HPWA-13216-003	BEARING F, CONNECTING ROD	6	6	(PINK)(DAIDO)
E-7	6	HPWA-13217-003	BEARING G, CONNECTING ROD(RE D)	6	6	(DAIDO)
E-7	7	HZZ3-13311-000	CRANKSHAFT	1	1	
E-7	8	HPWA-13322-003	BEARING B, MAIN UPPER(BLACK)	4	4	(DAIDO)
E-7	8	HPWA-13323-003	BEARING C, MAIN UPPER(BROWN)	4	4	(DAIDO)
E-7	8	HPWA-13324-003	BEARING D, MAIN UPPER(GREEN)	4	4	(DAIDO)
E-7	8	HPWA-13325-003	BEARING E, MAIN UPPER(YELLOW)	4	4	(DAIDO)
E-7	8	HPWA-13326-003	BEARING F, MAIN UPPER(PINK)	4	4	(DAIDO)
E-7	8	HPWA-13327-003	BEARING G, MAIN UPPER(RE D)	4	4	(DAIDO)
E-7	8	HPWA-13328-003	BEARING H, MAIN UPPER(WHITE)	4	4	(DAIDO)
E-7	9	H357-13331-000	KEY, SPECIAL WOODRUFF, 25X18	1	1	
E-7	10	HZZ3-13331-003	WASHER, THRUST	2	2	
E-7	11	HPWA-13342-003	BEARING B, MAIN LOWER(BLACK)	4	4	(DAIDO)
E-7	11	HPWA-13343-003	BEARING C, MAIN LOWER(BROWN)	4	4	(DAIDO)
E-7	11	HPWA-13344-003	BEARING D, MAIN LOWER(GREEN)	4	4	(DAIDO)
E-7	11	HPWA-13345-003	BEARING E, MAIN LOWER(YELLOW)	4	4	(DAIDO)
E-7	11	HPWA-13346-003	BEARING F, MAIN LOWER(PINK)	4	4	(DAIDO)
E-7	11	HPWA-13347-003	BEARING G, MAIN LOWER(RE D)	4	4	(DAIDO)
E-7	11	HPWA-13348-003	BEARING H, MAIN LOWER(WHITE)	4	4	(DAIDO)

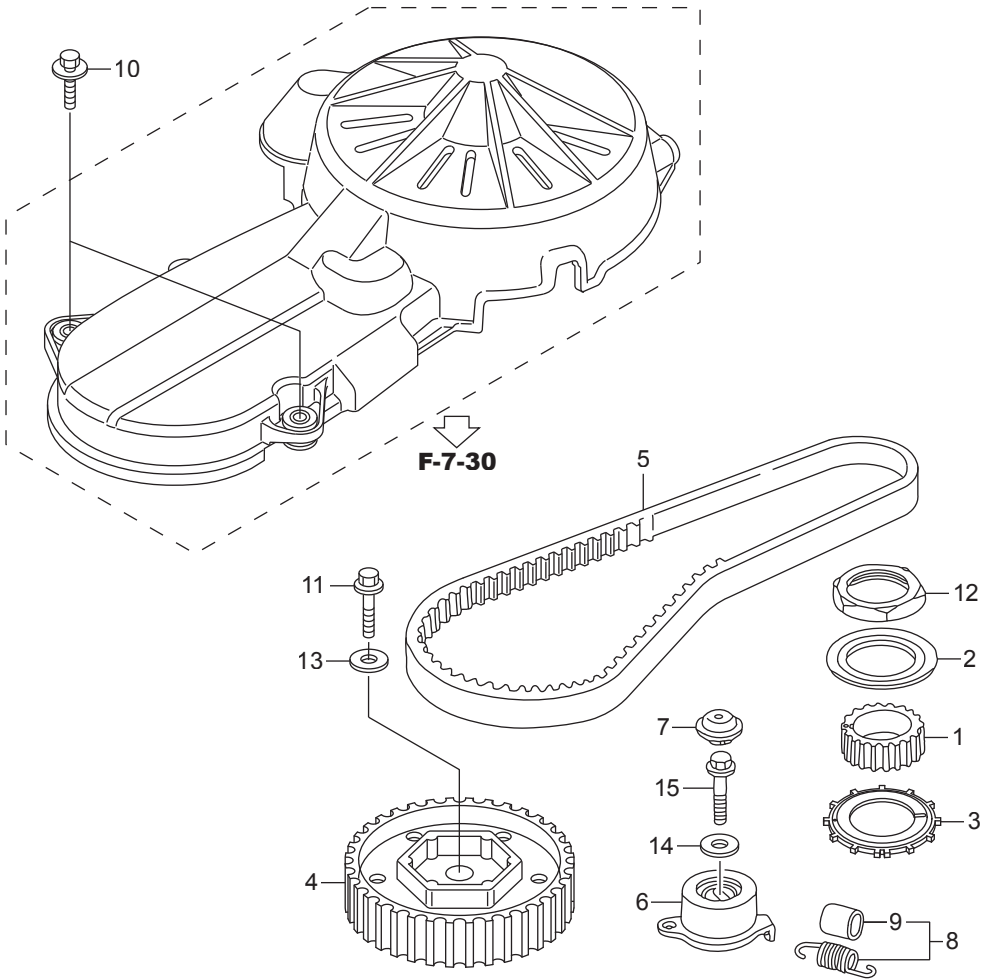




FR. 



Ref.No.	Part No.	Description	Q' ty		Remarks	
			BFT60A	BFW60A		
E-9	1	HPZ1-12210-004	SEAL A, VALVE STEM(NOK)	6	6	
E-9	2	HPZ1-12211-004	SEAL B, VALVE STEM(NOK)	6	6	
E-9	3	HZZ3-14110-000	CAMSHAFT COMP.	1	1	
E-9	4	HZZ3-14221-003	PLATE, TDC PULSER	1	1	
E-9	5	HPWA-14222-004	BOLT, TDC PULSER PLATE	1	1	
E-9	6	HZY9-14430-000	ARM COMP., IN. VALVE ROCKER	3	3	
E-9	7	HZY9-14441-000	ARM COMP., EX. ROCKER(A)	3	3	
E-9	8	HZY9-14442-000	ARM COMP., EX. ROCKER(B)	3	3	
E-9	9	HZZ3-14631-000	SHAFT COMP., ROCKER	1	1	
E-9	10	HPWA-14647-000	WASHER, THRUST	9	9	
E-9	11	HPY3-14647-000	WASHER, IN. WAVE	3	3	
E-9	12	HPWC-14711-000	VALVE, IN.	6	6	
E-9	13	HRB0-14721-000	VALVE, EX.	6	6	
E-9	14	HPM3-14744-000	SCREW, TAPPET ADJUSTING	12	12	
E-9	15	HZY9-14751-003	SPRING, IN. VALVE	6	6	
E-9	16	HZY9-14752-003	SPRING, EX. VALVE	6	6	
E-9	17	HRGA-14765-000	RETAINER, VALVE SPRING	12	12	
E-9	18	HP08-14775-000	SEAT, VALVE SPRING	12	12	
E-9	19	HRGM-14781-A01	COTTER, VALVE(FUJI VALVE)	24	24	
E-9	20	HPWA-90006-003	BOLT, ROCKER ARM SHAFT	4	4	
E-9	21	HPM3-90206-004	NUT, TAPPET ADJUSTING	12	12	(TOKAI TRW)
E-9	22	HCO-96220-40080	ROLLER, 4X8	1	1	

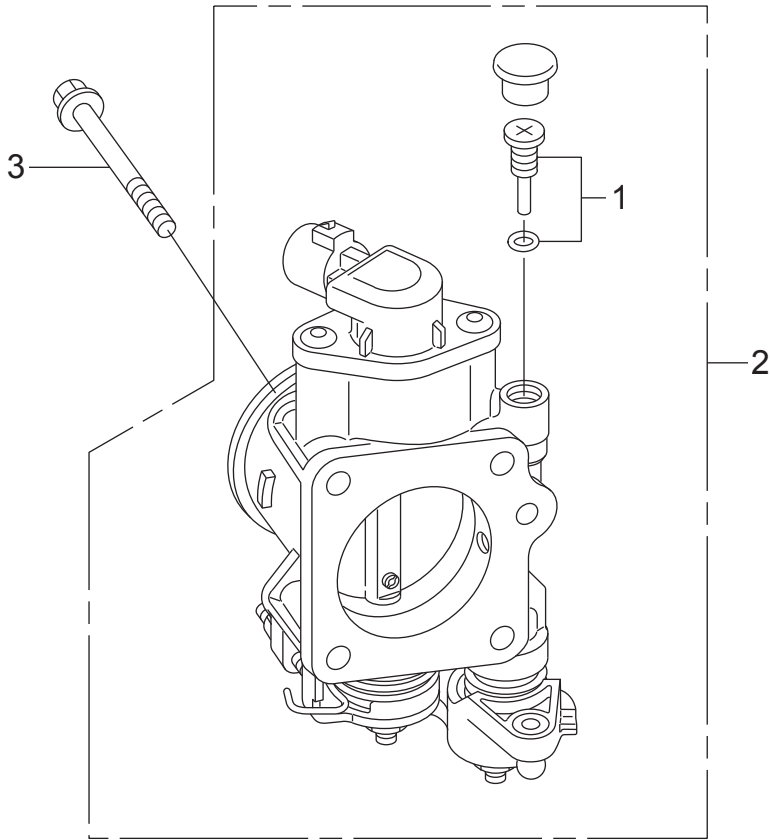




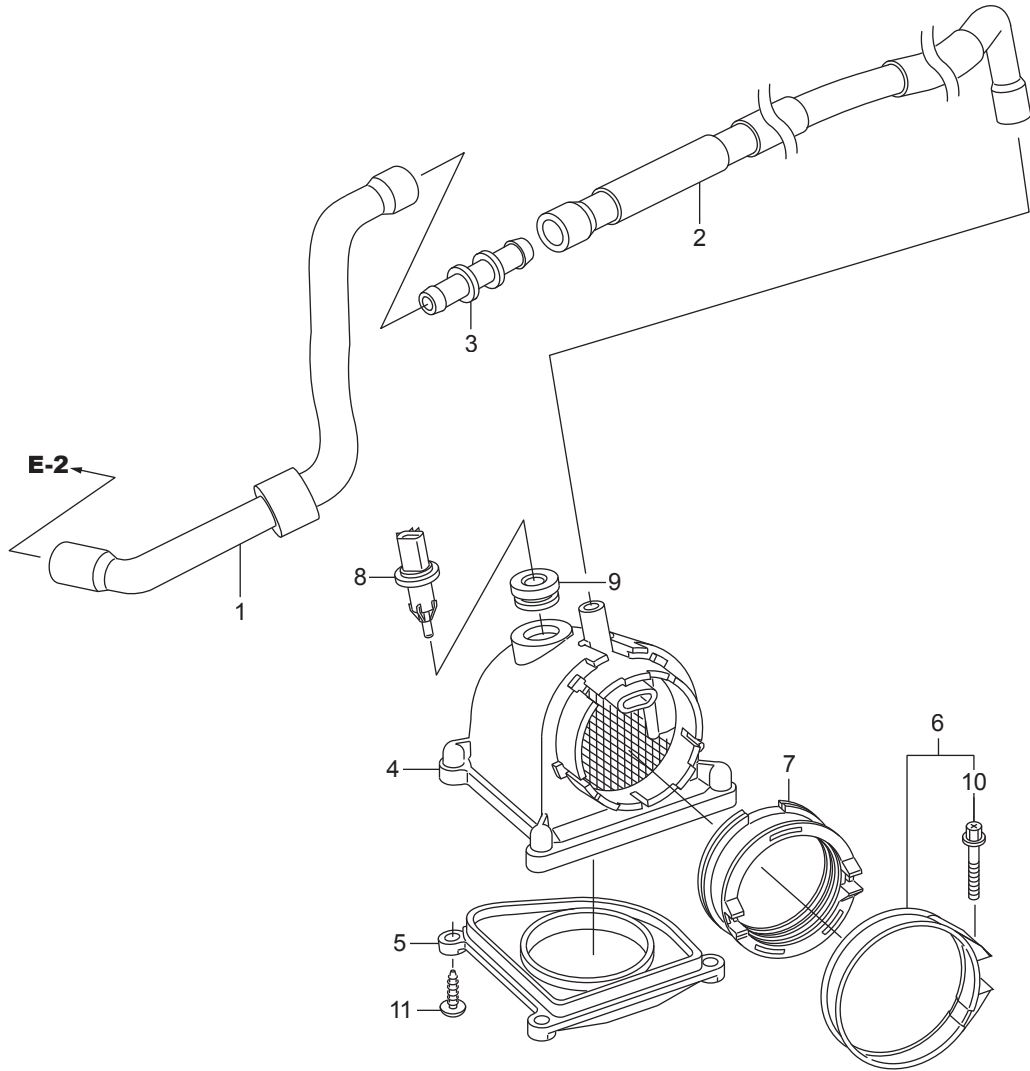
Ref.No.	Part No.	Description	Q' ty		Remarks	
			BFT60A	BFW60A		
E-13	1	HZZ3-13621-000	PULLEY, TIMING BELT DRIVE(19T)	1	1	
E-13	2	HZZ3-13622-000	PLATE, TIMING BELT GUIDE	1	1	
E-13	3	HZZ3-13623-000	PLATE, CRANK PULSER	1	1	
E-13	4	HZZ3-14261-000	PULLEY, TIMING BELT DRIVEN	1	1	(38T)
E-13	5	HZZ3-14400-004	BELT, TIMING(88RU22.5 E-660)	1	1	
E-13	6	HZZ3-14510-003	TENSIONER COMP., TIMING BELT	1	1	
E-13	7	HZY3-14515-000	CAP, TIMING BELT TENSIONER	1	1	
E-13	8	HZV5-14520-020	SPRING COMP., TIMING BELT	1	1	ADJUSTING
E-13	9	HZV5-14522-000	BOOT, SPRING	1	1	
E-13	10	HZW1-90013-000	BOLT-WASHER, 6X25	2	2	
E-13	11	HS04-90190-000	BOLT, FLANGE, 12X38	1	1	
E-13	12	HZZ3-90202-000	NUT, LOCK, 42MM	1	1	
E-13	13	HPC6-90402-000	WASHER, 12.5X34X5	1	1	
E-13	14	HCO-94101-10800	WASHER, PLAIN, 10MM	1	1	
E-13	15	HCO-95701-10040-08	BOLT, FLANGE, 10X40	1	1	



Ref.No.	Part No.	Description	Q' ty		Remarks	
			BFT60A	BFW60A		
E-14	1	HZZ3-16450-003	INJECTOR ASSY., FUEL	3	3	
E-14	2	HKPC-16472-D50	RING, SEAL	3	3	
E-14	3	HZZ5-16620-010	LINE COMP., FUEL	1	1	
E-14	4	HZW5-16733-000	GROMMET, VAPOR SEPARATOR	2	2	
E-14	5	HZY3-16752-A00	JOINT, FUEL PIPE	1	1	
E-14	6	HZY9-16896-003	CLAMP B, FUEL TUBE	2	2	
E-14	7	HZZ3-16914-000	STAY, FUEL STRAINER	1	1	
E-14	8	HZZ3-17105-000	PACKING, INTAKE MANIFOLD	3	3	
E-14	9	HZZ5-17107-003	PACKING, THROTTLE BODY	1	1	
E-14	10	HZZ3-17110-003	MANIFOLD COMP., INLET	1	1	
E-14	11	HZZ5-36550-003	VALVE ASSY., ELECTRONIC AIR	1	1	CONTROL
E-14	12	HZY6-36551-003	PACKING, ELECTRONIC AIR	1	1	CONTROL VALVE
E-14	13	HRNA-37830-A01	SENSOR ASSY., MAP	1	1	
E-14	14	HPGK-37835-A01	O-RING	1	1	
E-14	15	HZW1-90014-000	BOLT-WASHER, 8X35	2	2	
E-14	16	HZY3-90029-000	BOLT-WASHER, 5X18	1	1	
E-14	17	HZY3-90031-000	BOLT, FLANGE, 6X32	2	2	
E-14	18	HZY3-90036-000	BOLT, FLANGE, 8X32	2	2	
E-14	19	HZY3-90056-000	BOLT, FLANGE, 6X12	2	2	
E-14	20	HZW4-90126-000	BOLT, FLANGE, 8X45	2	2	
E-14	21	HZY3-90205-000	NUT, FLANGE, 8MM	2	2	
E-14	22	HKPH-91301-701	O-RING, 7.3X2.2	3	3	
E-14	23	HMJ0-91301-003	O-RING, 7.8X1.9(ARAD)	2	2	
E-14	24	HZW1-91554-000	COLLAR, 8.5X14.5	2	2	



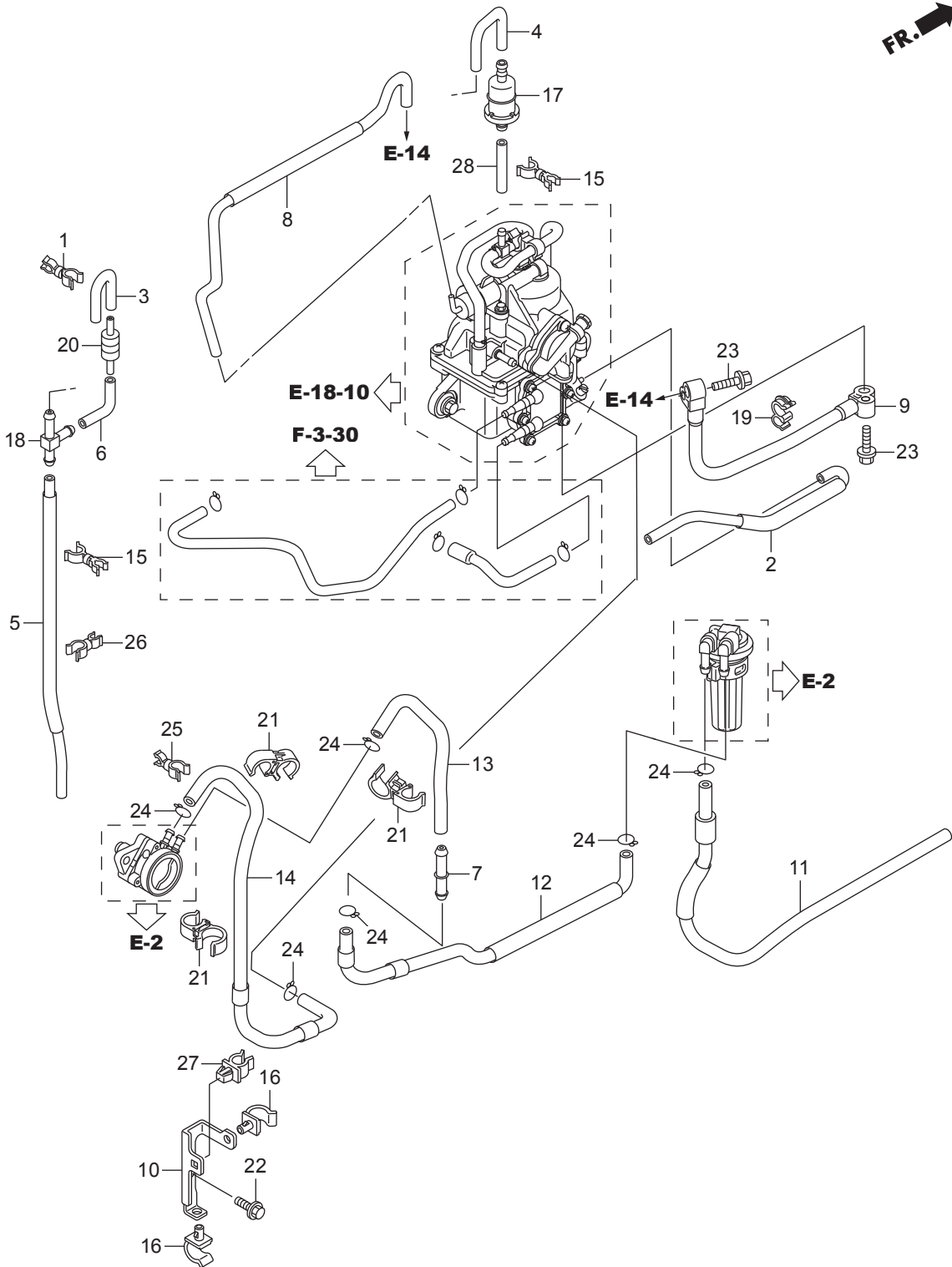






# E-18 TUBING

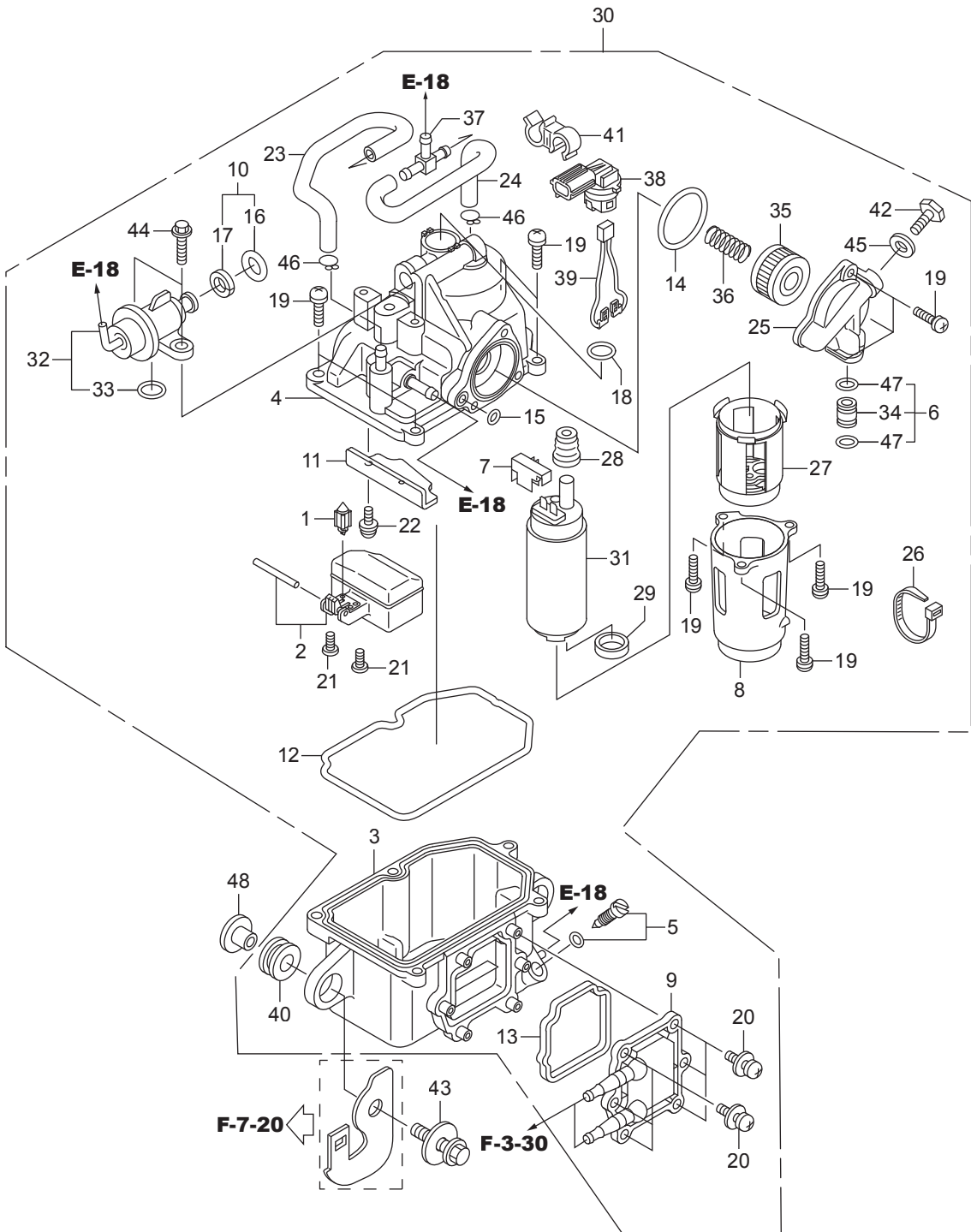
FR. 





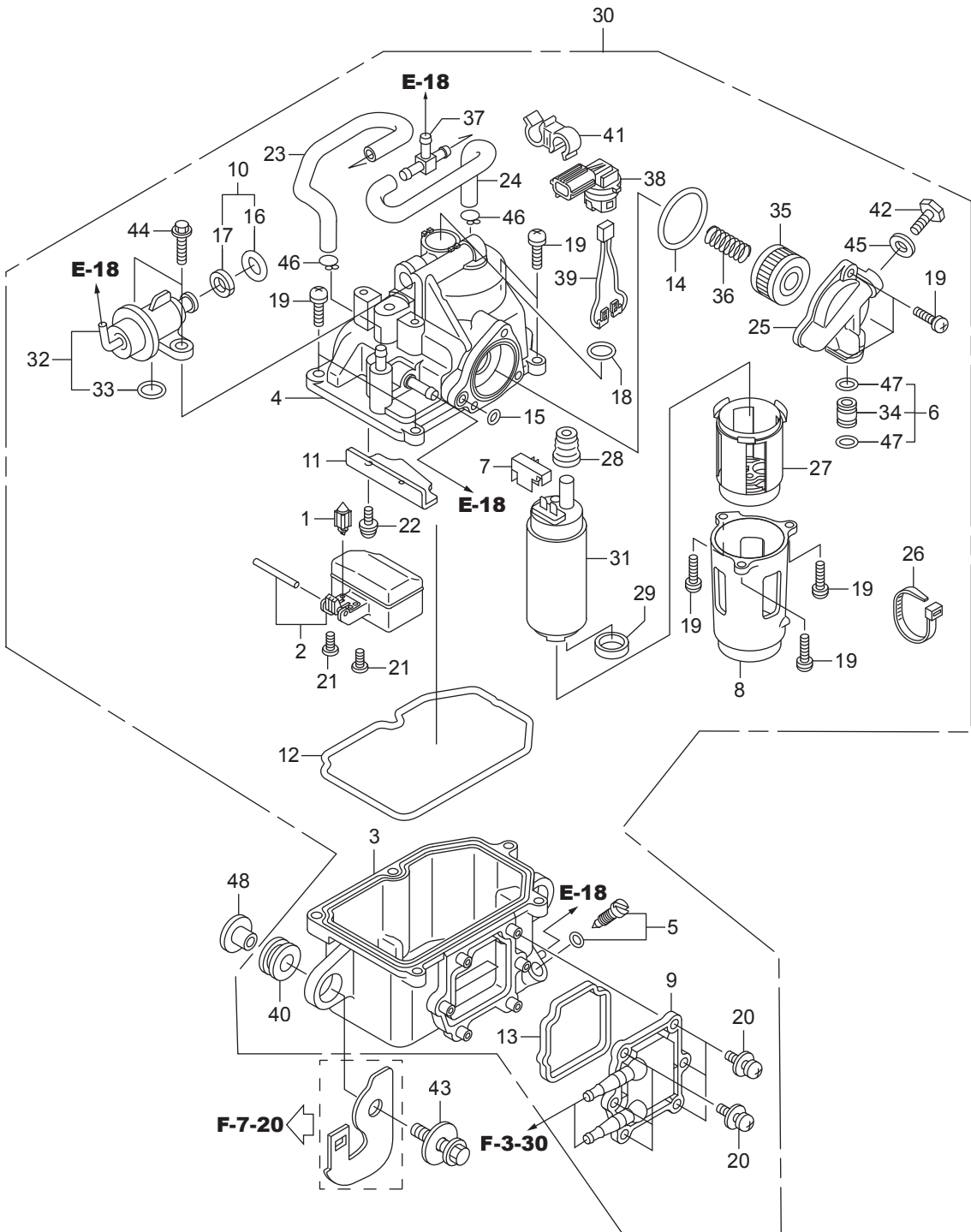
Ref.No.	Part No.	Description	Q' ty		Remarks	
			BFT60A	BFW60A		
E-18	1	HMCG-15562-000	CLAMP, OIL HOSE	1	1	
E-18	2	HZZ3-16192-000	TUBE COMP., DRAIN	1	1	
E-18	3	HZY9-16196-000	TUBE B, CHECK VALVE	1	1	
E-18	4	HZZ3-16197-000	TUBE C, AIR VENT	1	1	
E-18	5	HZZ3-16198-000	TUBE D, AIR VENT	1	1	
E-18	6	HZZ3-16199-000	TUBE E, AIR VENT	1	1	
E-18	7	HRMA-16723-E00	JOINT, FUEL FEED HOSE	1	1	
E-18	8	HZZ3-16748-000	TUBE, PRESSURE REGULATOR	1	1	CONTROL
E-18	9	HZZ3-16755-003	HOSE COMP., FUEL	1	1	
E-18	10	HZZ3-16816-000	BRACKET, TUBE CLAMP	1	1	
E-18	11	HZZ3-16850-A01	TUBE COMP. A, FUEL	1	1	
E-18	12	HZZ3-16865-A00	TUBE COMP. B, FUEL	1	1	
E-18	13	HZZ3-16866-A00	TUBE D, FUEL	1	1	
E-18	14	HZZ3-16871-A00	TUBE C, FUEL	1	1	
E-18	15	HZZ3-16895-003	CLAMP, AIR VENT TUBE	2	2	
E-18	16	HZY9-16896-003	CLAMP B, FUEL TUBE	2	2	
E-18	17	HZV4-16910-015	STRAINER COMP., FUEL	1	1	
E-18	18	HMCT-16961-010	JOINT, THREE WAY	1	1	
E-18	19	HPY3-17439-A01	CLAMP, TUBE(7.5-11.5)(BLACK)	1	1	
E-18	20	HZY6-36135-003	VALVE, CHECK	1	1	
E-18	21	HSE0-53740-953	CLIP, SENSOR HOSE	3	3	
E-18	22	HZW9-90011-000	BOLT, FLANGE, 6X14(CT200)	1	1	
E-18	23	HHW1-90205-670	BOLT, FLANGE, 6X25	2	2	
E-18	24	HZV0-90604-000	CLIP, TUBE(B12)	7	7	
E-18	25	HZW5-90652-003	CLAMP, 6MM-12MM	1	1	
E-18	26	HMB1-90655-921	CLIP, WIRE	1	1	
E-18	27	HSZ5-91531-003	CLIP, TUBE, 3.5	1	1	
E-18	28	HCO-95001-55035-40	TUBE, FUEL, 5.3X35	1	1	(HC-95001-55001-60M)

FR. →



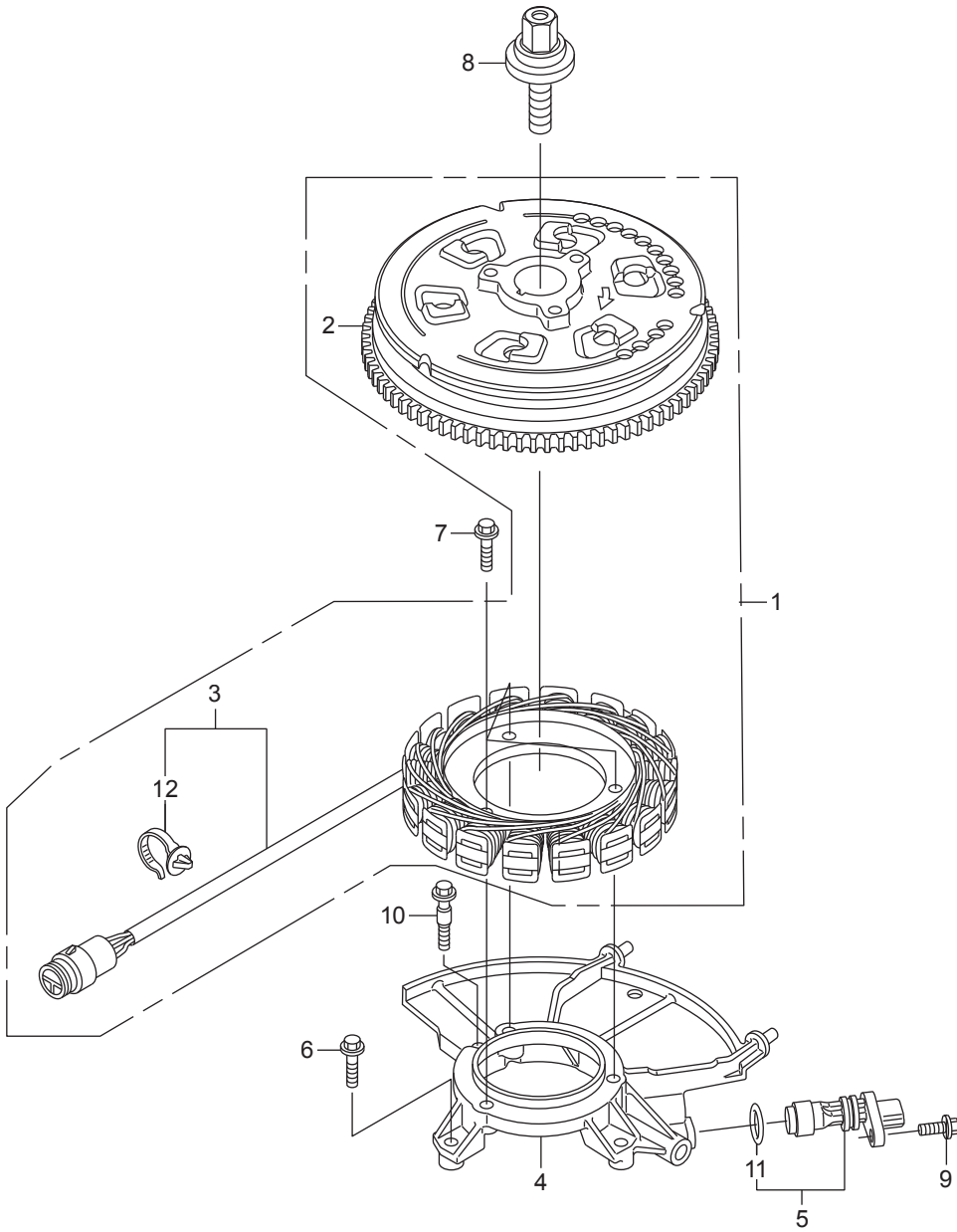
Ref.No.	Part No.	Description	Q' ty		Remarks	
			BFT60A	BFW60A		
E-18-10	1	HZY3-16011-A01	VALVE SET, FLOAT	1	1	
E-18-10	2	HZZ5-16013-003	FLOAT SET	1	1	
E-18-10	3	HZZ3-16019-003	BODY	1	1	
E-18-10	4	HZZ3-16020-003	COVER COMP.	1	1	
E-18-10	5	HZY3-16024-000	SCREW SET, DRAIN	1	1	
E-18-10	6	HZY3-16026-000	JOINT SET	1	1	
E-18-10	7	HZZ5-16041-003	COVER	1	1	
E-18-10	8	HZZ5-16042-003	HOLDER	1	1	
E-18-10	9	HZZ5-16061-003	COVER, WATER JACKET	1	1	
E-18-10	10	HZZ5-16063-003	SEAL SET	1	1	
E-18-10	11	HZZ5-16064-003	PLATE	1	1	
E-18-10	12	HZZ5-16066-003	O-RING	1	1	
E-18-10	13	HZZ5-16072-003	PACKING	1	1	
E-18-10	14	HZZ5-16073-003	O-RING	1	1	
E-18-10	15	HZZ5-16074-003	O-RING	1	1	
E-18-10	16	HZZ5-16075-003	O-RING	1	1	
E-18-10	17	HZZ5-16076-003	RING, BACKUP	1	1	
E-18-10	18	HZZ5-16077-003	O-RING	1	1	
E-18-10	19	HZW5-16081-010	SCREW-WASHER	11	11	
E-18-10	20	HZY9-16081-003	SCREW-WASHER	6	6	
E-18-10	21	HZY3-16082-000	SCREW, PAN	2	2	
E-18-10	22	HZY3-16083-000	SCREW, WASHER	1	1	
E-18-10	23	HZZ3-16195-000	TUBE A, AIR VENT	1	1	
E-18-10	24	HZZ3-16196-000	TUBE B, AIR VENT	1	1	
E-18-10	25	HZZ3-16708-003	COVER	1	1	
E-18-10	26	HZZ5-16709-003	BAND	1	1	
E-18-10	27	HZZ5-16718-003	INSULATOR COMP.	1	1	
E-18-10	28	HZY9-16721-003	INSULATOR	1	1	
E-18-10	29	HZY6-16723-003	RING	1	1	

FR. →

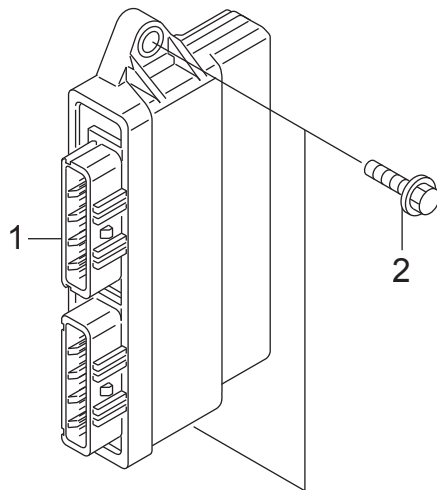


Ref.No.	Part No.	Description	Q'ty		Remarks	
			BFT60A	BFW60A		
E-18-10	30	HZZ3-16730-003	SEPARATOR ASSY., VAPOR	1	1	
E-18-10	31	HZZ5-16735-003	PUMP UNIT, FUEL	1	1	
E-18-10	32	HZZ5-16740-003	REGULATOR ASSY., PRESSURE	1	1	
E-18-10	33	HPG7-16741-005	O-RING, PRESSURE REGULATOR	1	1	
E-18-10	34	HZY3-16752-000	JOINT, FUEL PIPE	1	1	
E-18-10	35	HZZ5-16911-003	SCREEN COMP., FUEL STRAINER	1	1	
E-18-10	36	HZZ5-16913-003	SPRING, COMPRESSION	1	1	
E-18-10	37	HME9-16960-000	PIPE, THREE WAY JOINT	1	1	
E-18-10	38	HZZ5-32166-003	COUPLER COMP.	1	1	
E-18-10	39	HZZ5-32167-003	HARNESS COMP.	1	1	
E-18-10	40	HZV5-40102-000	GROMMET, UNDER CASE	2	2	
E-18-10	41	HSJ6-47585-003	CLIP, R. BRAKE WIRE	1	1	
E-18-10	42	HPP4-90009-E01	BOLT, SEALING, 6MM	1	1	
E-18-10	43	HZW1-90013-000	BOLT-WASHER, 6X25	2	2	
E-18-10	44	HZY3-90021-000	BOLT, FLANGE, 6X14	2	2	
E-18-10	45	HPD6-90430-003	WASHER, SEALING, 6MM	1	1	
E-18-10	46	HZV4-90603-000	CLIP, TUBE(B10)	2	2	
E-18-10	47	HMJ0-91301-003	O-RING, 7.8X1.9(ARAI)	2	2	
E-18-10	48	HZV5-91553-010	COLLAR, C.D.I. UNIT CASE	2	2	

FR. 



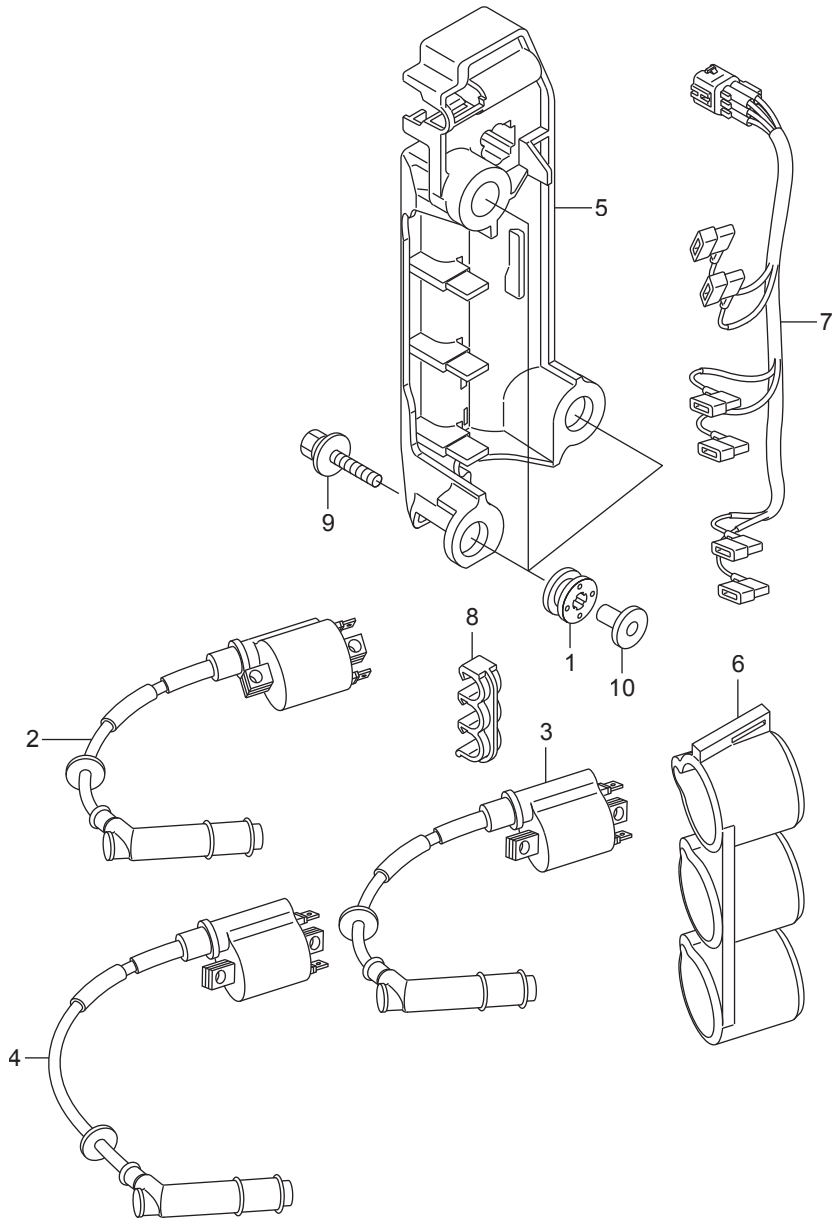
Ref.No.	Part No.	Description	Q' ty		Remarks
			BFT60A	BFW60A	
E-19	1	HZZ3-31630-003	GENERATOR ASSY., A.C.	1	
E-19	1	HZZ3-31630-A01	GENERATOR ASSY., A.C.		1
E-19	2	HZZ3-31631-003	ROTOR	1	1
E-19	3	HZZ3-31632-003	STATOR	1	
E-19	3	HZZ3-31632-A01	STATOR		1
E-19	4	HZZ3-31636-000	BRACKET, A.C. GENERATOR	1	1
E-19	5	HPNB-37500-003	SENSOR ASSY., CRANK	1	1
E-19	6	HZW9-90016-000	BOLT, FLANGE, 6X25	2	2
E-19	7	HZY3-90016-000	BOLT, FLANGE, 6X28	3	3
E-19	8	HRWC-90017-A01	BOLT-WASHER, 16X49	1	1
E-19	9	HZY3-90017-000	BOLT, FLANGE, 6X16	1	1
E-19	10	HZY6-90023-000	BOLT, SPECIAL, 6X31	2	2
E-19	11	HPNA-91333-003	O-RING, 15X1.9	1	1
E-19	12	HS0A-91540-003	CLIP, HARNESS BAND(NATURAL)	1	1 (96.9MM)



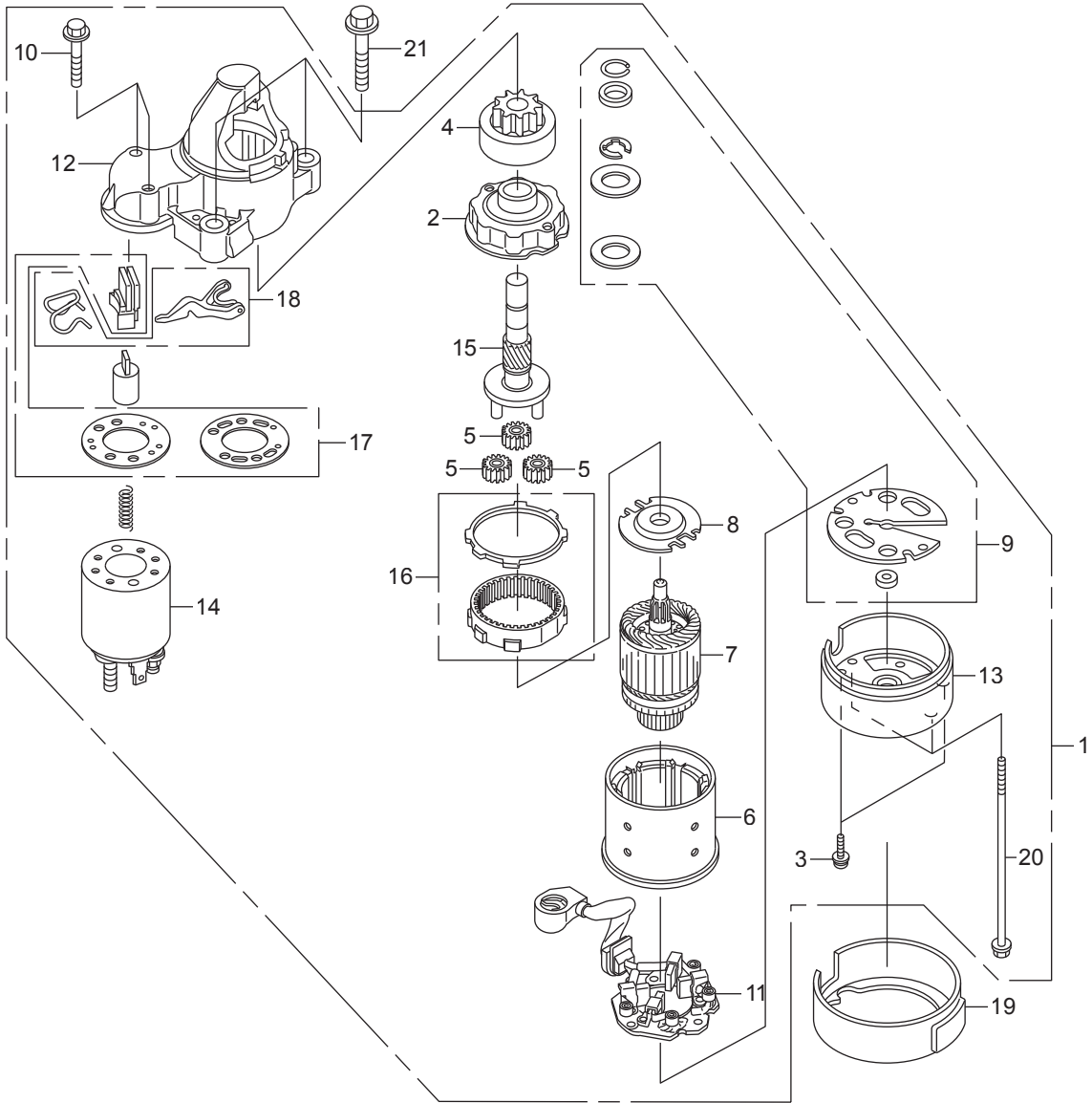
**←FR.**



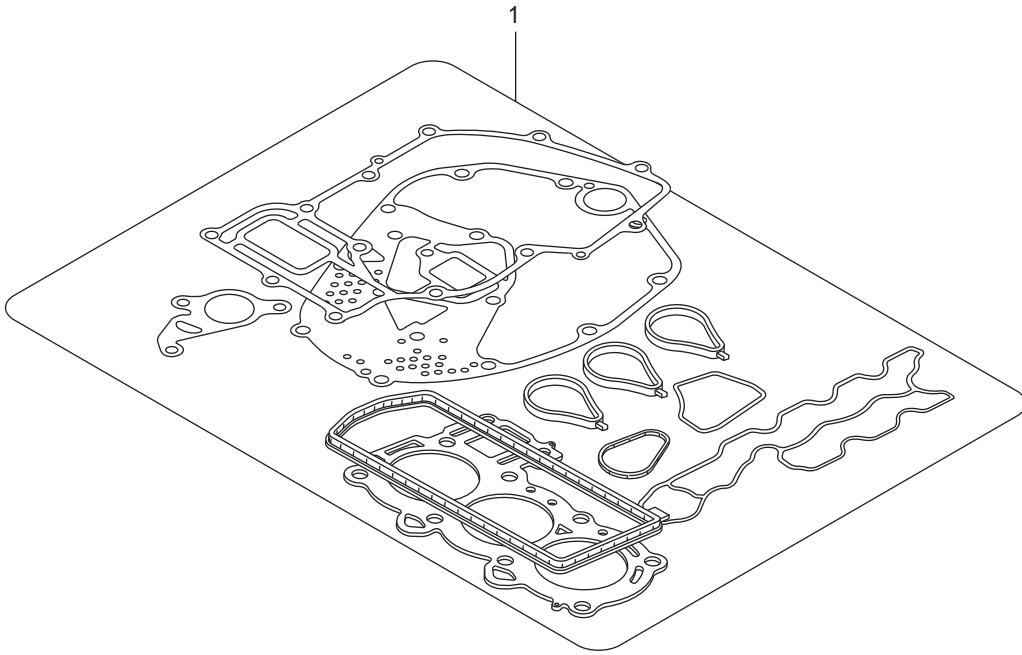




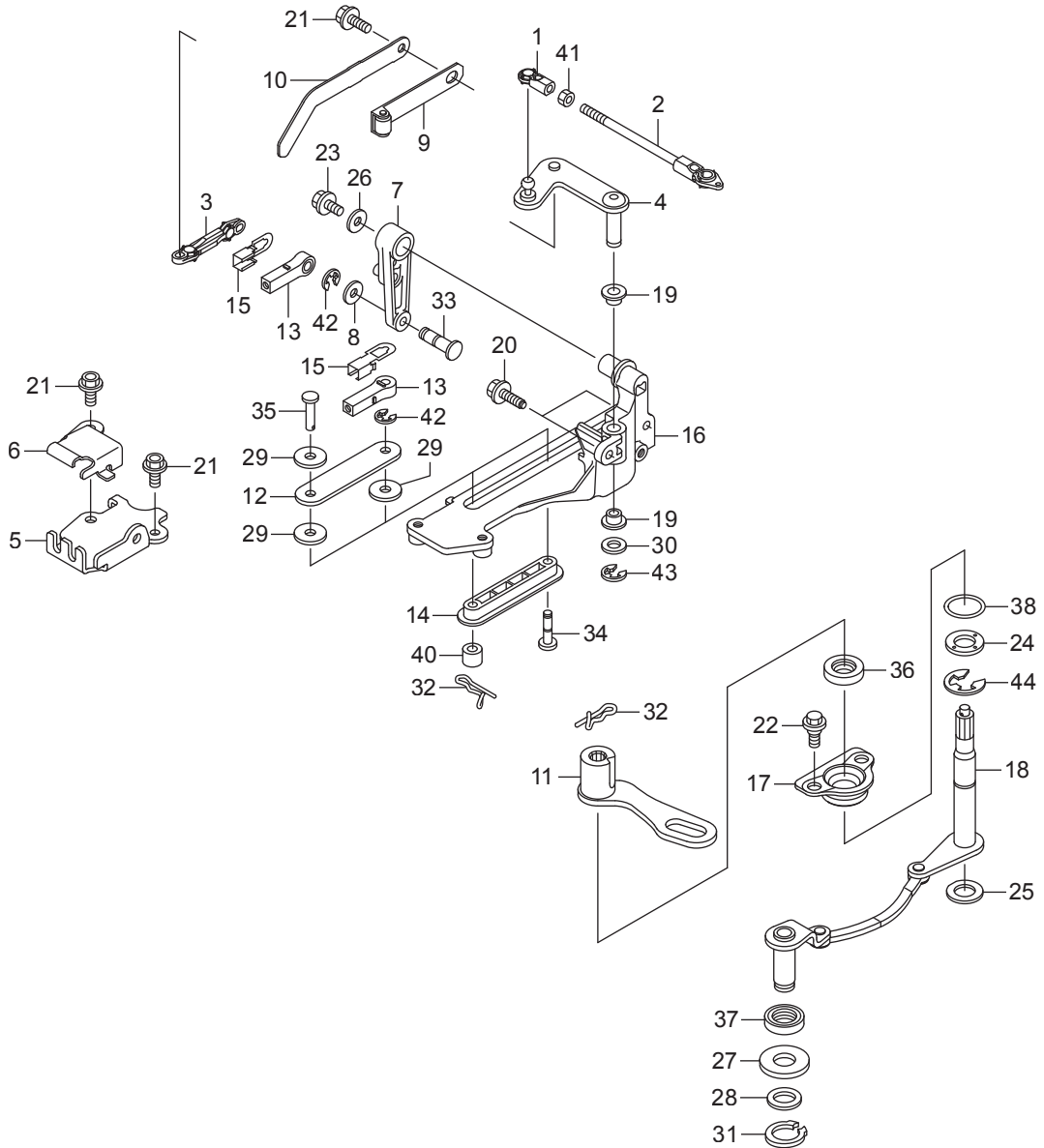




Ref.No.	Part No.	Description	Q'ty		Remarks	
			BFT60A	BFW60A		
E-21	1	HZZ3-31200-003	MOTOR ASSY., STARTER	1	1	
E-21	2	HZZ3-31212-003	BRACKET ASSY., CENTER	1	1	
E-21	3	HZZ3-31213-003	SCREW,(M4X16)	2	2	
E-21	4	HZZ3-31214-003	PINION ASSY.	1	1	
E-21	5	HZZ3-31215-003	GEAR, PLANET	3	3	
E-21	6	HZZ3-31216-003	YOKE ASSY.	1	1	
E-21	7	HZZ3-31217-003	ARMATURE ASSY.	1	1	
E-21	8	HZZ3-31224-003	BRACKET, CENTER	1	1	
E-21	9	HZZ3-31225-003	STOPPER SET, WASHER	1	1	
E-21	10	HZZ3-31226-003	BOLT(M6X37)	2	2	
E-21	11	HZZ3-31231-003	HOLDER ASSY., BRUSH	1	1	
E-21	12	HZZ3-31235-003	CASE ASSY., GEAR	1	1	
E-21	13	HZZ3-31236-003	COVER ASSY., RR.	1	1	
E-21	14	HZZ3-31240-003	SWITCH ASSY., MAGNETIC	1	1	
E-21	15	HZZ3-31246-003	SHAFT, PINION	1	1	
E-21	16	HZZ3-31247-003	GEAR ASSY., INTERNAL	1	1	
E-21	17	HZZ3-31249-003	COVER KIT, DUST	1	1	
E-21	18	HZZ3-31250-003	LEVER SET, SHIFT	1	1	
E-21	19	HZZ3-31258-000	SUSPENSION, STARTER	1	1	
E-21	20	HZZ3-31261-003	BOLT, THROUGH	2	2	
E-21	21	HZW4-90126-000	BOLT, FLANGE, 8X45	2	2	



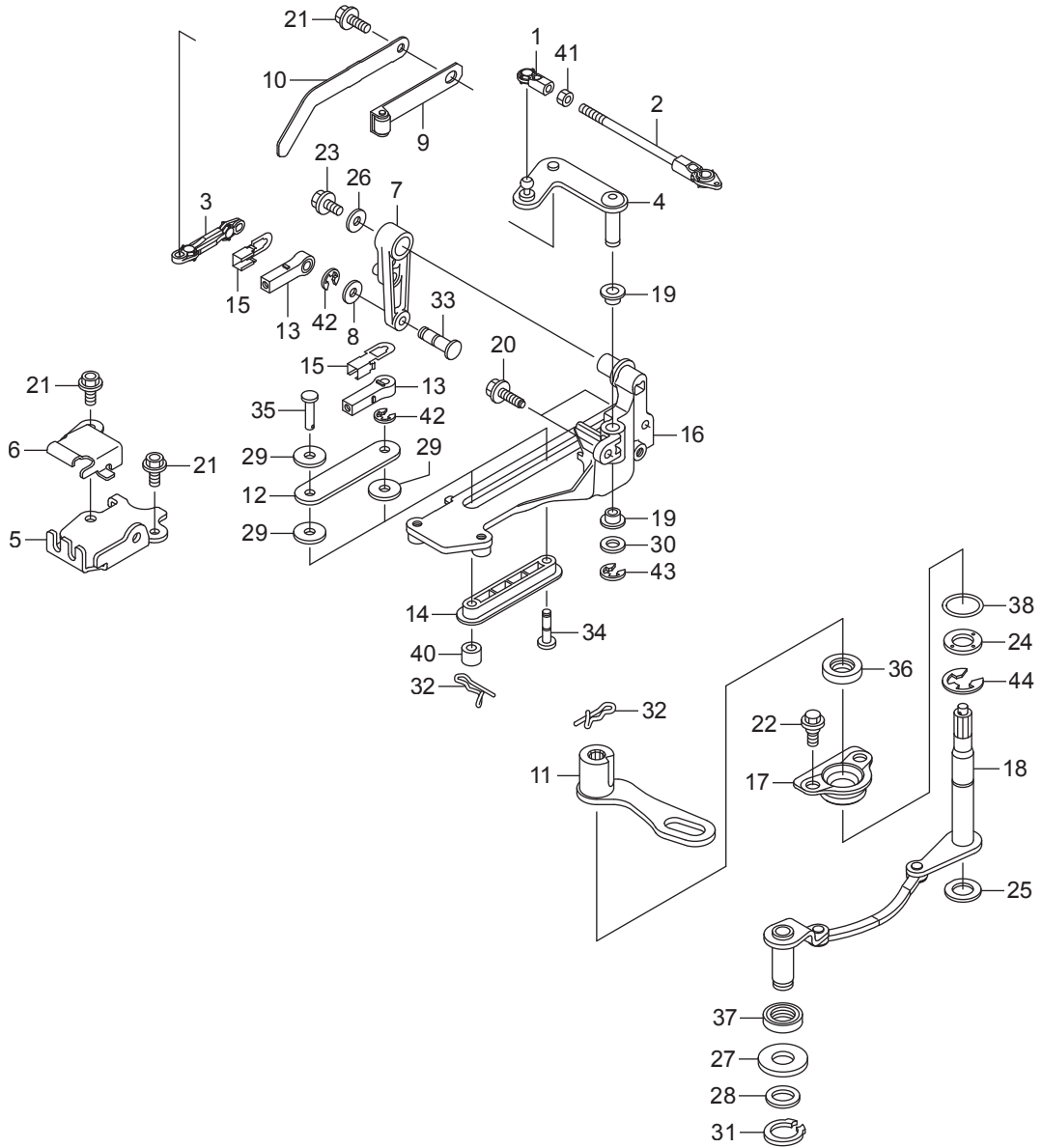




FR.

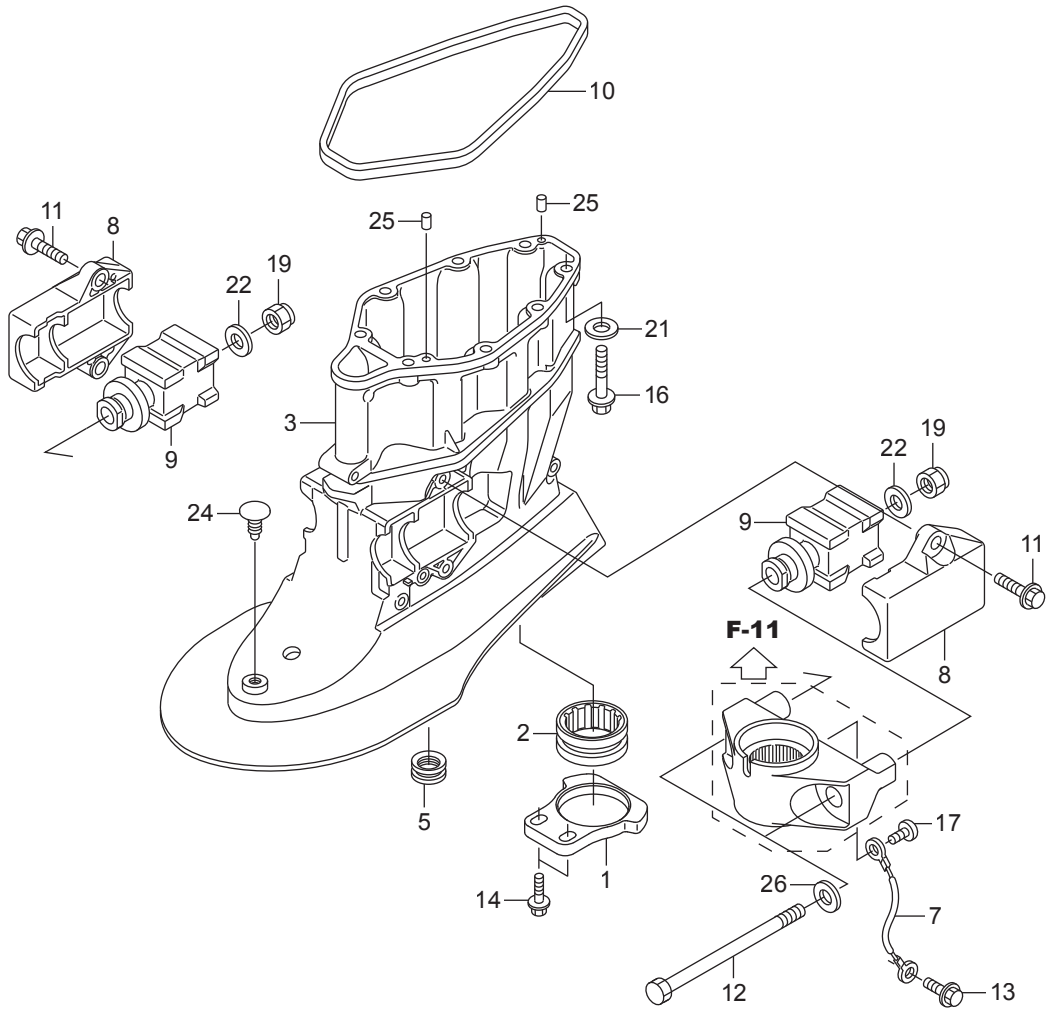


Ref.No.	Part No.	Description	Q' ty		Remarks	
			BFT60A	BFW60A		
F-2	1	HZV5-17838-000	LINKAGE, PIVOT	1	1	
F-2	2	HZZ3-17840-000	ROD COMP., THROTTLE	1	1	
F-2	3	HZY6-17845-000	LINK, THROTTLE	1	1	
F-2	4	HZZ3-17860-000	PLATE COMP., THROTTLE	1	1	
F-2	5	HZY9-17877-000	PLATE, REMOTE CONTROL CABLE	1	1	
F-2	6	HZY9-17878-000	COVER, REMOTE CONTROL CABLE	1	1	
F-2	7	HZY6-17931-000	ARM, THROTTLE	1	1	
F-2	8	H921-17936-000	WASHER, PIVOT	1	1	
F-2	9	HZW1-24210-010	SPRING COMP., CLICK	1	1	
F-2	10	HZY9-24221-000	SPRING, CLICK ASSIST	1	1	
F-2	11	HZY9-24612-000	ARM, SHIFT	1	1	
F-2	12	HZY9-24614-000	PLATE, SHIFT PIVOT	1	1	
F-2	13	HZY3-24618-000	PIVOT, SHIFT	2	2	
F-2	14	HZY9-24618-000	PIVOT, SHIFT SLIDE	1	1	
F-2	15	HZY3-24619-000	PLATE, LOCK	2	2	
F-2	16	HZY9-24628-000	BRACKET, SHIFT LINK	1	1	
F-2	17	HZW1-24629-000	HOLDER, SEAL	1	1	
F-2	18	HZZ3-24630-000	SHAFT COMP., SHIFT	1	1	
F-2	19	HZY3-63205-000	BUSH A, COVER LOCK	2	2	
F-2	20	HZV0-90017-C10	BOLT, FLANGE, 6X18(CT200)	2	2	
F-2	21	HZY3-90017-000	BOLT, FLANGE, 6X16	3	3	
F-2	22	HZW5-90023-000	BOLT, FLANGE, 6X11	2	2	
F-2	23	HZY3-90056-000	BOLT, FLANGE, 6X12	1	1	
F-2	24	HGET-90429-000	WASHER, SIDE, 14MM	1	1	
F-2	25	HZW5-90501-000	WASHER, SHIFT SHAFT	1	1	
F-2	26	HZY3-90508-000	WASHER, PLAIN, 6MM	1	1	
F-2	27	HZY9-90508-000	WASHER, 14MM	1	1	
F-2	28	HZY9-90509-000	WASHER, 13MM	1	1	
F-2	29	HZW9-90517-000	WASHER, NYLON, 8MM	3	3	

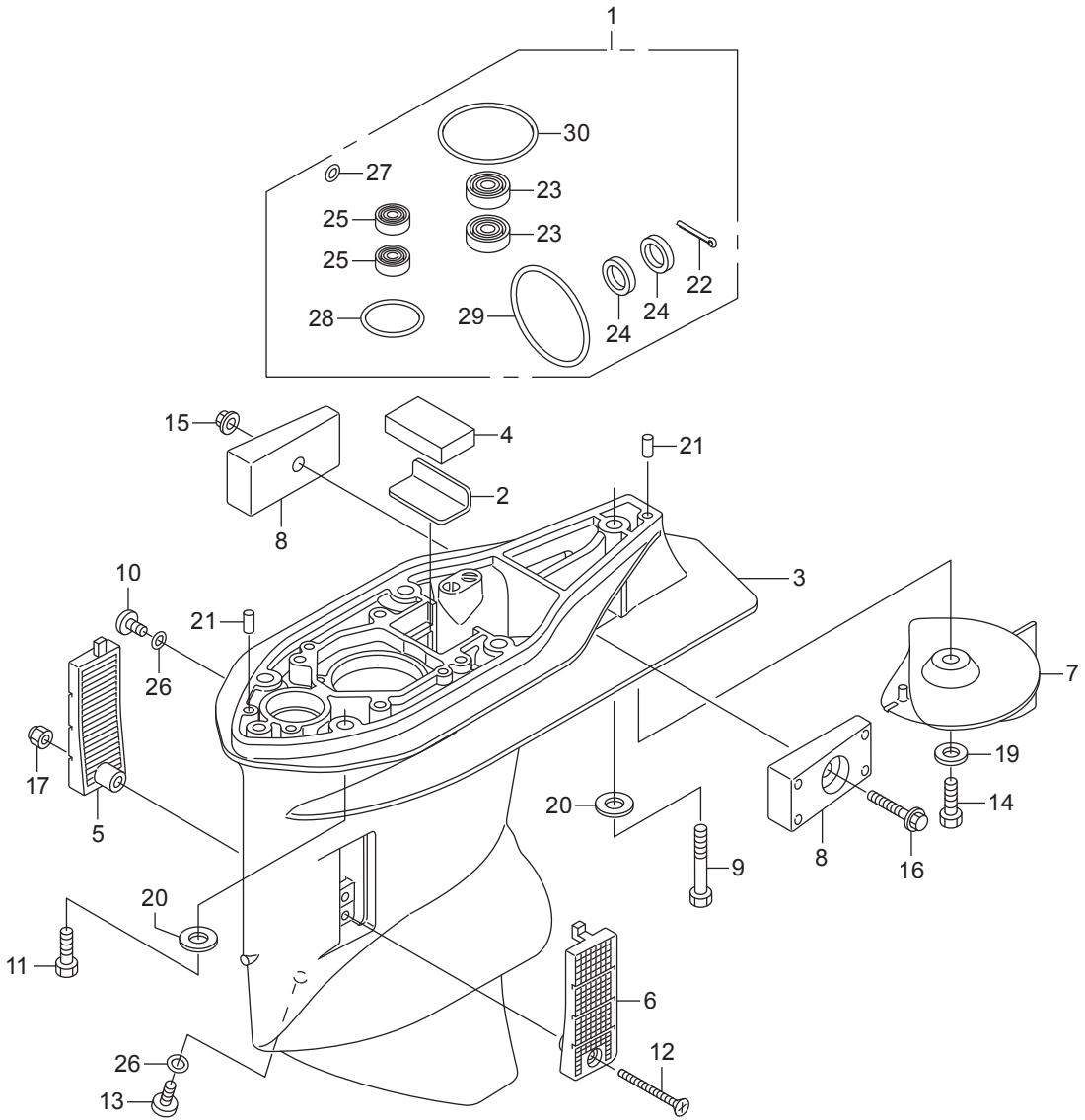


FR.

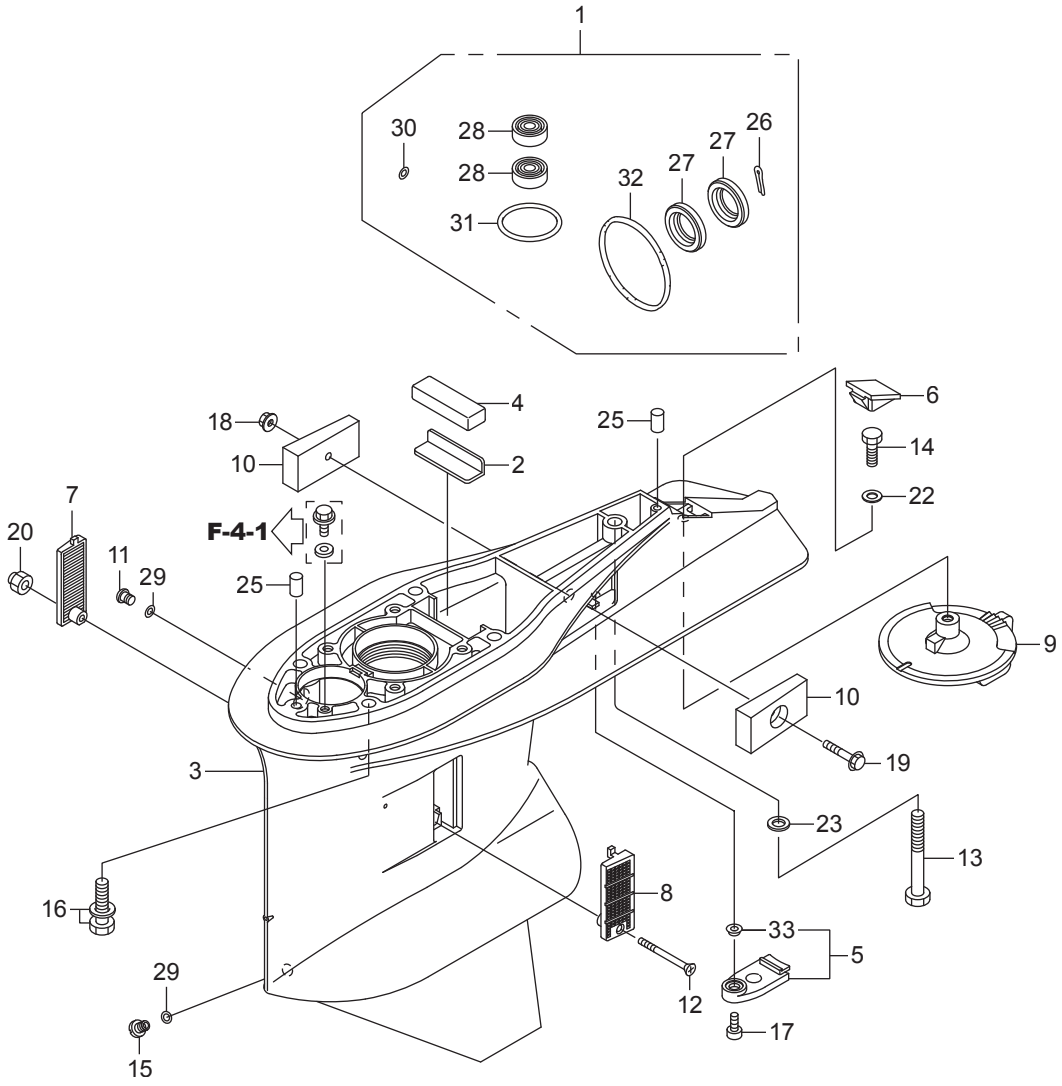
Ref.No.	Part No.	Description	Q'ty		Remarks	
			BFT60A	BFW60A		
F-2	30	H921-90518-000	WASHER, PLAIN, 8MM	1	1	
F-2	31	HZY9-90651-000	CIRCLIP, EXTERNAL, 12	1	1	
F-2	32	HSD2-90705-931	PIN, SNAP, 6MM	2	2	
F-2	33	HZY3-90751-000	PIN, LINK	1	1	
F-2	34	HZZ3-90752-000	PIN, SHIFT LINK	1	1	
F-2	35	HZZ3-90753-000	PIN, LINK	1	1	
F-2	36	HZW5-91251-003	OIL SEAL, 14X26X6	1	1	
F-2	37	HZY3-91255-003	SEAL, WATER(14X26X8)	1	1	
F-2	38	HPF0-91302-003	O-RING, 26.9X2.4(NOK)	1	1	
F-2	40	HZZ3-91552-000	COLLAR, 6MM	1	1	
F-2	41	HCO-94001-05490-0S	NUT, HEX., 5MM	1	1	
F-2	42	HCO-94540-04029	E-RING, 4MM	2	2	
F-2	43	HCO-94540-06029	E-RING, 6MM	1	1	
F-2	44	HCO-94540-12029	E-RING, 12MM	1	1	



Ref.No.	Part No.	Description	Q' ty		Remarks	
			BFT60A	BFW60A		
F-3	1	HZZ3-18334-000	HOLDER, EX. PIPE GROMMET	1	1	
F-3	2	HZZ3-18337-000	GROMMET, EX. PIPE	1	1	
F-3	3	HZZ3-40201-000ZD	CASE, EXTENSION	1	1	*T107* BAY BLUE
F-3	5	HZV5-40204-000	GROMMET, EXTENSION CASE	1	1	
F-3	7	HZY3-40219-013	WIRE, LEAD(1.5X116MM)	1	1	
F-3	8	HZZ3-50111-000	HOUSING, LOWER MOUNTING	2	2	
F-3	9	HZZ3-50155-000	MOUNT COMP., LOWER RUBBER	2	2	
F-3	10	HZZ3-63719-000	SEAL B, COVER UNDER	1	1	
F-3	11	HHW1-90101-671	BOLT, FLANGE, 8X25	4	4	
F-3	12	HZY9-90102-000	BOLT, HEX., 12X186	2	2	
F-3	13	HZW9-90103-010	BOLT, FLANGE, 6X12	1	1	
F-3	14	HZW9-90105-000	BOLT, FLANGE, 6X20	2	2	
F-3	16	HHW1-90114-671	BOLT, FLANGE, 8X35	8	8	
F-3	17	HZV5-90119-000	SCREW, PAN, 6X8	1	1	
F-3	19	HZV5-90308-003	NUT, SELF-LOCK, 12MM	2	2	
F-3	21	HZV4-90507-000	WASHER, PLAIN, 8MM	8	8	
F-3	22	HZV5-90552-000	WASHER, PLAIN, 12MM	2	2	
F-3	24	HZZ3-90651-003	CLIP, 7MM	1	1	
F-3	25	HZV5-90756-000	DOWEL PIN, 6X10	2	2	
F-3	26	HZW1-90559-000	WASHER, PLAIN, 12MM	2	2	



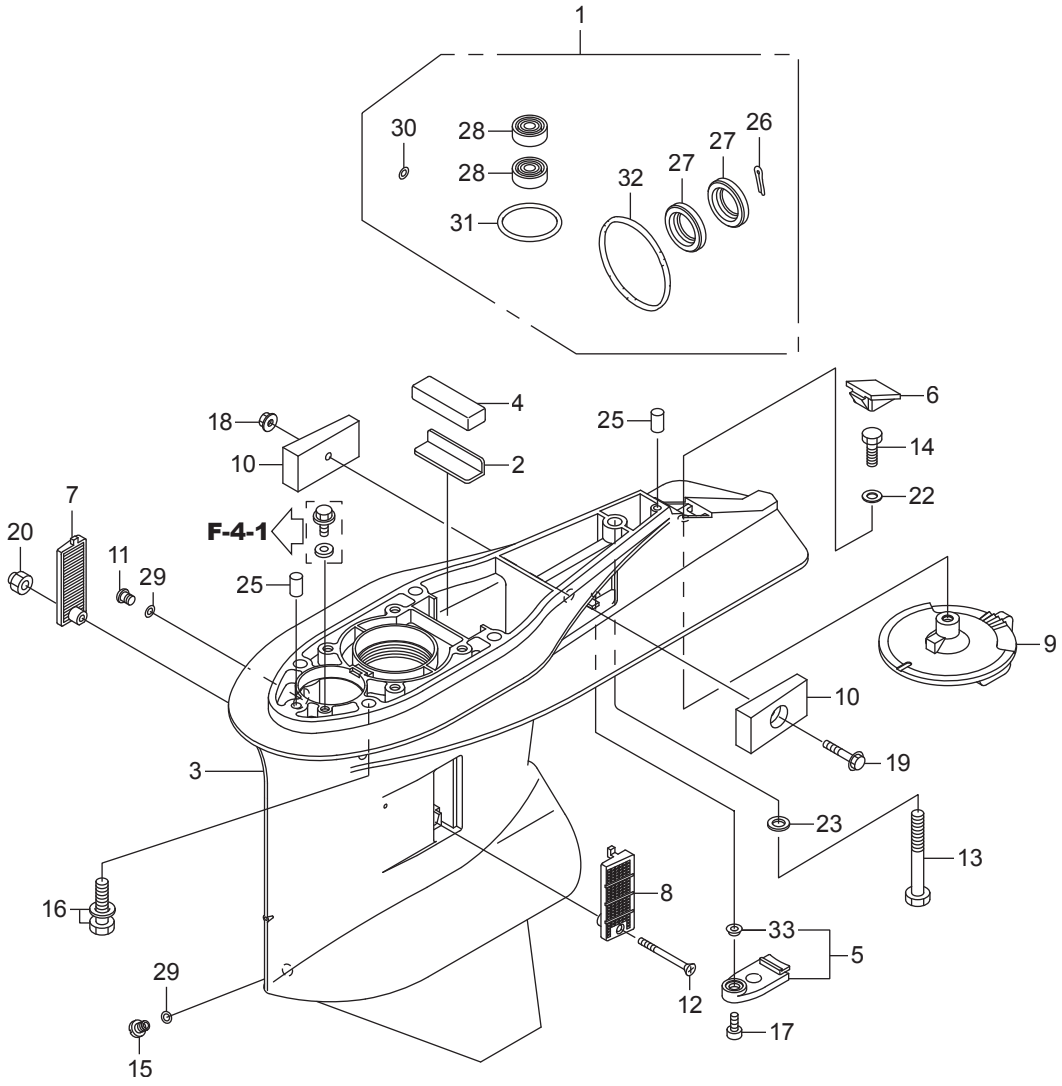
Ref.No.	Part No.	Description	Q' ty		Remarks
			BFT60A	BFW60A	
F-3-10	1	HZZ3-06125-000	CASE KIT, GEAR	1	
F-3-10	2	HZZ3-19286-000	PLATE, RUBBER SETTING	1	
F-3-10	3	HZZ3-41101-000ZD	CASE, GEAR	1	*T107* BAY BLUE
F-3-10	4	HZZ3-41102-000	GROMMET, GEAR CASE	1	
F-3-10	5	HZZ3-41104-010	SCREEN, R. WATER	1	
F-3-10	6	HZZ3-41105-010	SCREEN, L. WATER	1	
F-3-10	7	HZZ5-41107-000ZD	TAB, TRIM	1	*T107* BAY BLUE
F-3-10	8	HZW1-41109-B00	METAL COMP., ANODE	2	
F-3-10	9	HZY3-90015-000	BOLT, HEX., 10X60	1	
F-3-10	10	HZW9-90101-003	BOLT, OIL CHECK	1	
F-3-10	11	HZY3-90103-000	BOLT, HEX., 10X32	4	
F-3-10	12	HZZ3-90103-000	SCREW, FLAT, 5X37	1	
F-3-10	13	HZY3-90120-000	BOLT, DRAIN PLUG	1	
F-3-10	14	HZV5-90126-000	BOLT, HEX., 8X20	1	
F-3-10	15	HZY1-90205-000	NUT, SELF-LOCK, 6MM	1	
F-3-10	16	HHW1-90206-671	BOLT, FLANGE, 6X30	1	
F-3-10	17	HZV4-90302-000	NUT, SELF-LOCK, 5MM	1	
F-3-10	19	HZV4-90507-000	WASHER, PLAIN, 8MM	1	
F-3-10	20	HZV5-90563-000	WASHER, PLAIN, 10MM	5	
F-3-10	21	HZV5-90756-000	DOWEL PIN, 6X10	2	
F-3-10	22	HZV5-90758-000	PIN, SPLIT, 4.0	1	
F-3-10	23	HZZ3-91251-003	SEAL, WATER, 17X36X6	2	
F-3-10	24	HZW4-91252-003	SEAL, WATER, 22X35X7	2	
F-3-10	25	HZY3-91254-003	SEAL, WATER, 12X21X6	2	
F-3-10	26	HZW4-91301-003	O-RING, 6.9X1.45	2	
F-3-10	27	HZW4-91301-003	O-RING, 6.9X1.45	2	
F-3-10	28	HZZ3-91351-000	O-RING, 33.7X3.5	1	
F-3-10	29	HZZ3-91352-000	O-RING, 76.5X3	1	
F-3-10	30	HMB0-91359-000	O-RING, 58.5X3.5	1	



FR.

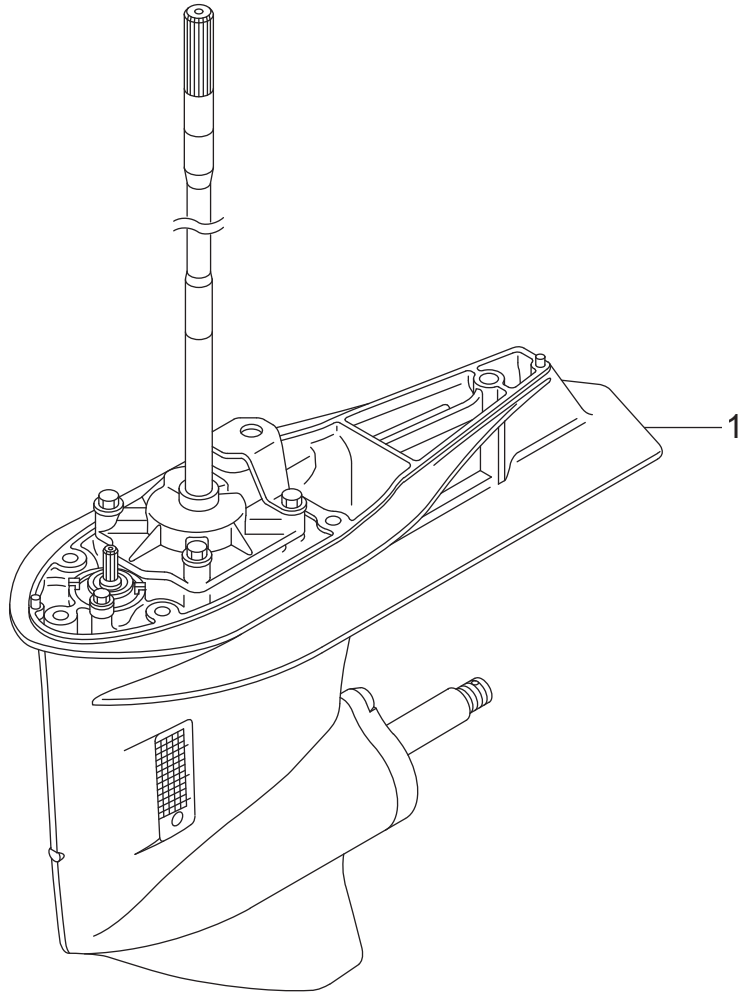


Ref.No.	Part No.	Description	Q' ty		Remarks
			BFT60A	BFW60A	
F-3-11	1	HZZ3-06125-E00		1	
F-3-11	2	HZW1-19286-B00		1	
F-3-11	3	HZZ0-41101-000ZD		1	*T107* BAY BLUE
F-3-11	4	HZW1-41102-B00		1	
F-3-11	5	HZZ0-41102-000		1	
F-3-11	6	HZZ0-41103-000		1	
F-3-11	7	HZZ0-41104-010		1	
F-3-11	8	HZZ0-41105-010		1	
F-3-11	9	HZZ0-41107-000ZD		1	*T107* BAY BLUE
F-3-11	10	HZW1-41109-B00		2	
F-3-11	11	HZW9-90101-003		1	
F-3-11	12	HZZ0-90101-000		1	
F-3-11	13	HZW1-90104-900		1	
F-3-11	14	HZV5-90115-000		1	
F-3-11	15	HZY3-90120-000		1	
F-3-11	16	HZY6-90123-000		4	
F-3-11	17	HZY3-90133-000		1	
F-3-11	18	HZY1-90205-000		1	
F-3-11	19	HHW1-90225-670		1	
F-3-11	20	HZV4-90302-000		1	
F-3-11	22	HZV4-90507-000		1	
F-3-11	23	HZV5-90563-000		1	
F-3-11	25	HZV5-90756-000		2	
F-3-11	26	HZW1-90758-B00		1	
F-3-11	27	HZZ3-91252-003		2	
F-3-11	28	HZY3-91254-003		2	
F-3-11	29	HZW4-91301-003		2	
F-3-11	30	HZW4-91301-003		2	
F-3-11	31	HMJ0-91308-003		1	



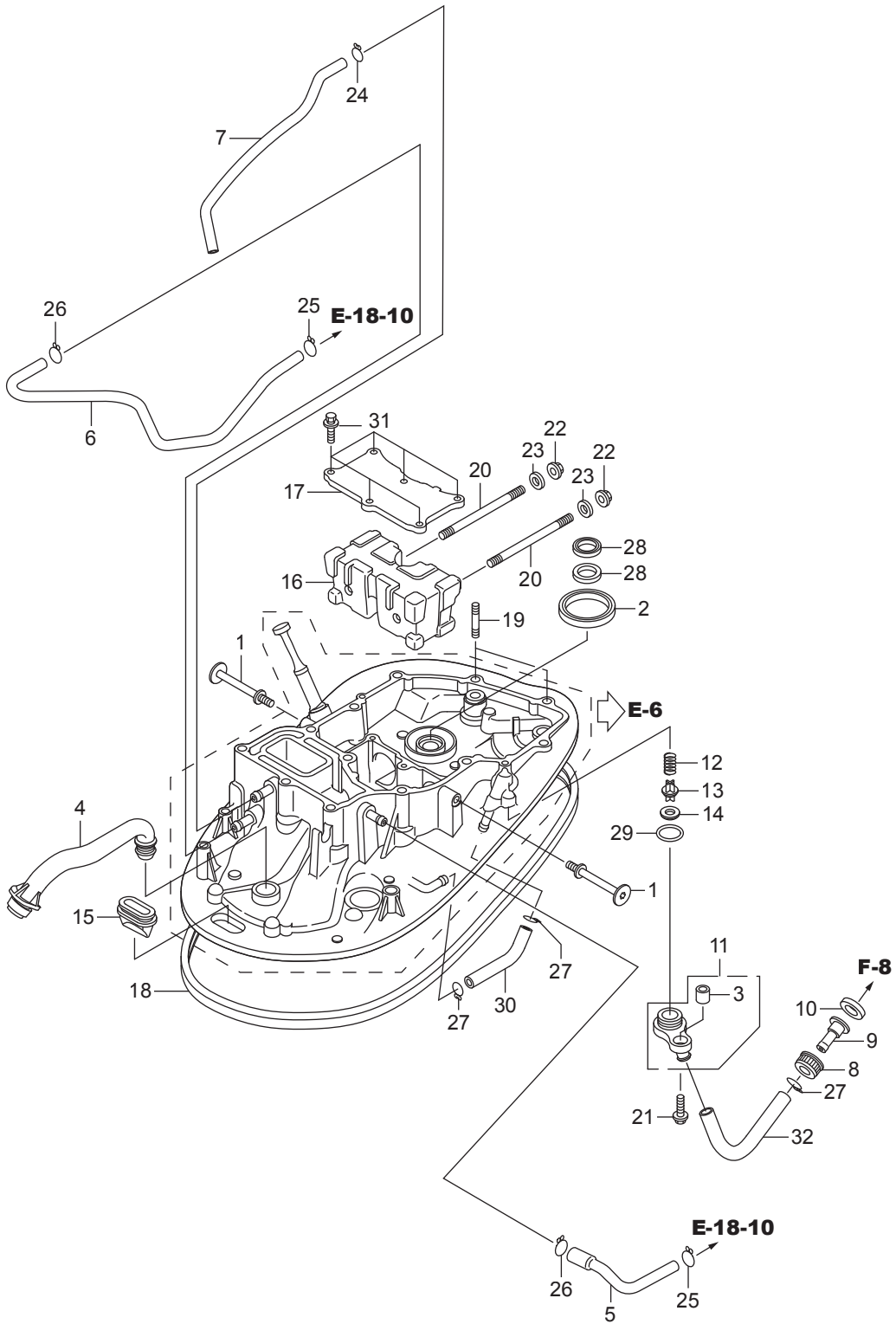
FR.



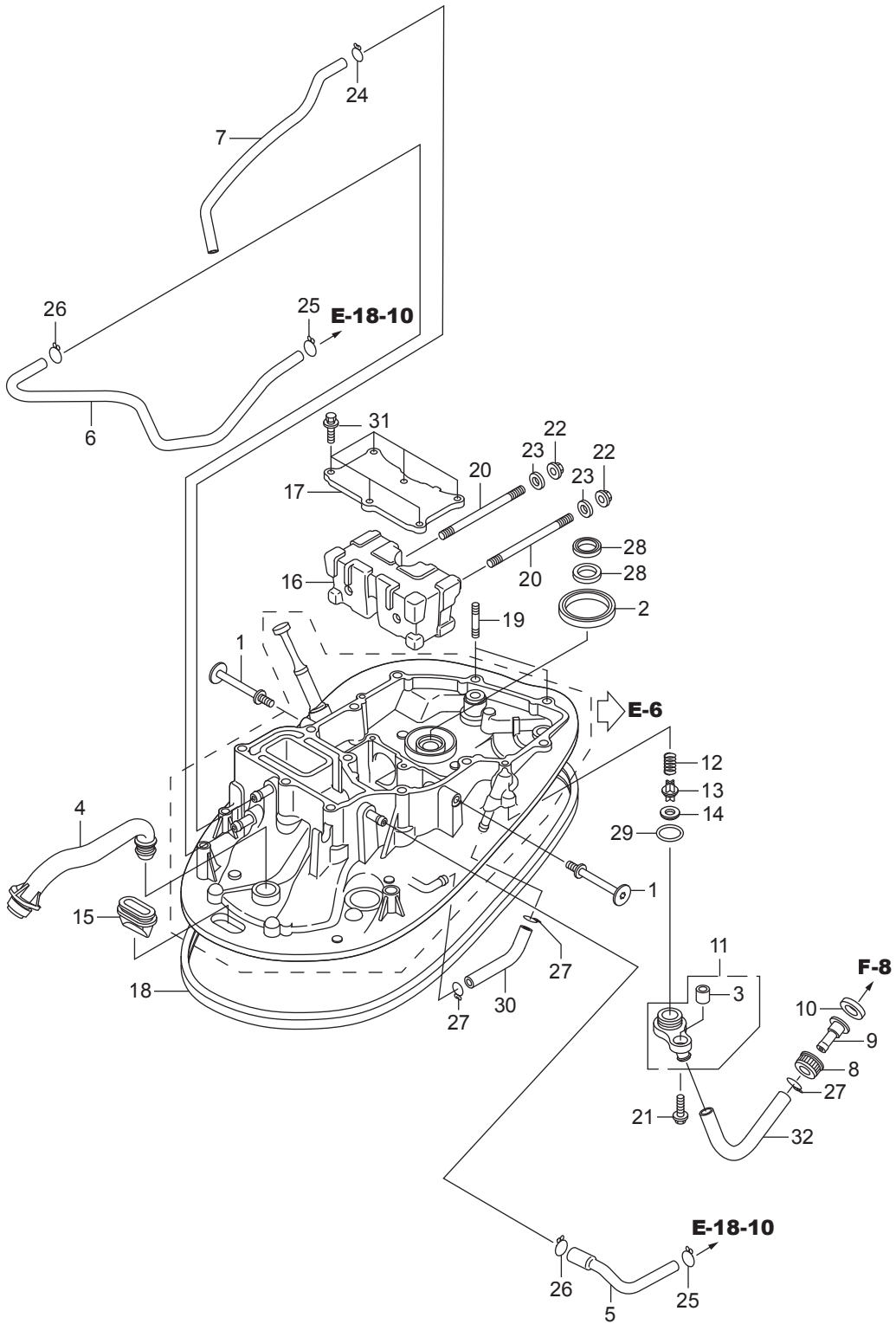


**FR.**



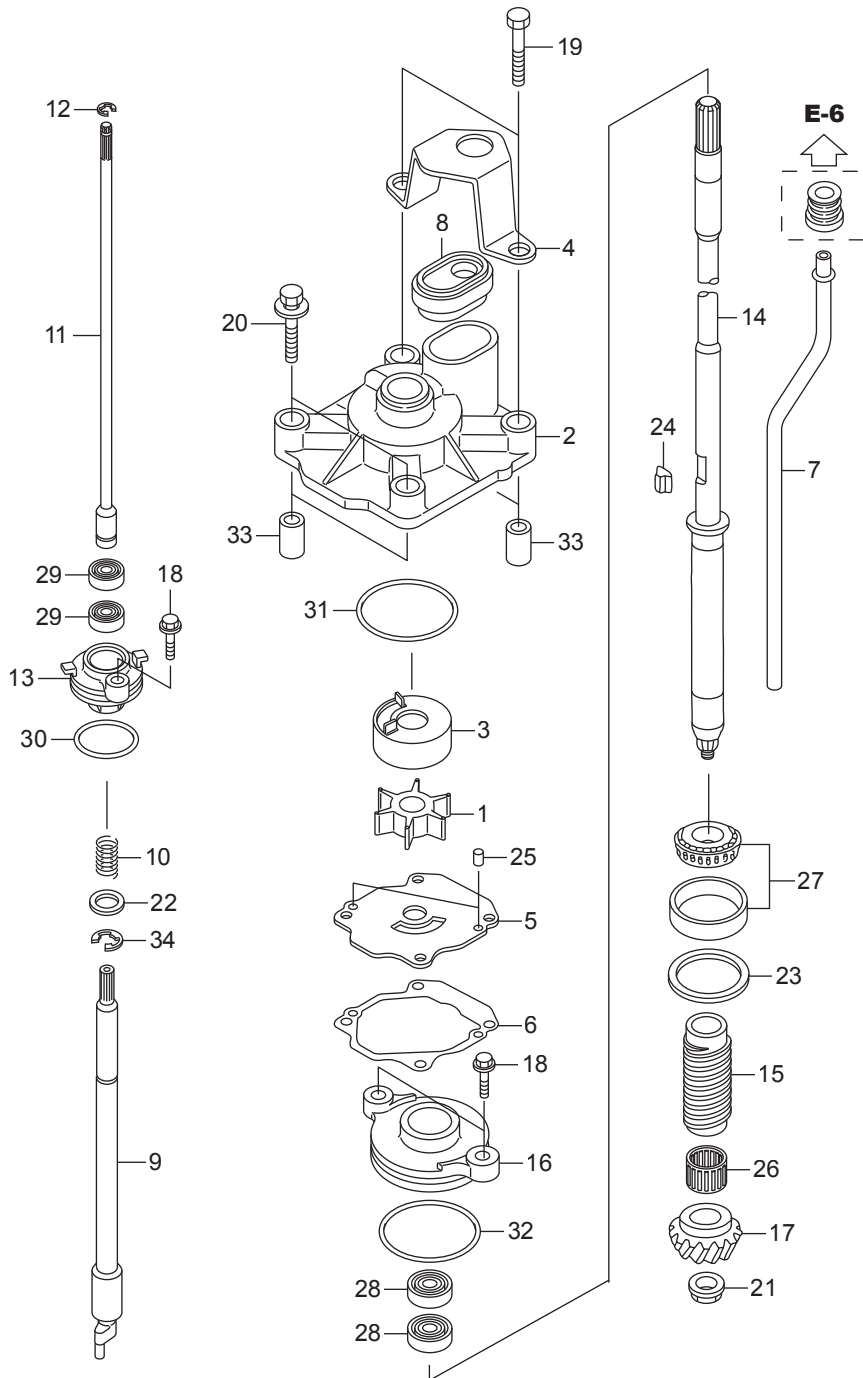


Ref.No.	Part No.	Description	Q' ty		Remarks	
			BFT60A	BFW60A		
F-3-30	1	HZZ3-12166-000	STOPPER, ENGINE SIDE	2	2	
F-3-30	2	HZY3-15113-000	RUBBER, OIL PUMP	1	1	
F-3-30	3	HZV5-17202-310	COLLAR, DISTANCE, 6.5X11X7.5	1	1	
F-3-30	4	HZZ3-18211-000	PORT, IDLE EXHAUST	1	1	
F-3-30	5	HZZ3-19255-000	TUBE A, WATER	1	1	
F-3-30	6	HZZ3-19256-000	TUBE B, WATER	1	1	
F-3-30	7	HZZ3-19257-000	TUBE C, WATER	1	1	
F-3-30	8	HZY3-19270-000	NUT, WATER MOUTH	1	1	
F-3-30	9	HZY3-19271-000	JOINT, WATER HOSE	1	1	
F-3-30	10	HZY3-19272-000	SEAT, WATER MOUTH	1	1	
F-3-30	11	HZZ3-19277-000	COVER, FLUSH VALVE	1	1	
F-3-30	12	HZW9-19279-000	SPRING, FLUSH VALVE	1	1	
F-3-30	13	HZW9-19291-000	VALVE, FLASH	1	1	
F-3-30	14	HZW9-19297-000	PACKING, FLASH VALVE	1	1	
F-3-30	15	HZY3-23173-010	RUBBER, MOUNT CASE SEAL	1	1	
F-3-30	16	HZZ3-50151-000	MOUNT COMP., UPPER RUBBER	1	1	
F-3-30	17	HZZ3-50166-000	COVER, UPPER MOUNT	1	1	
F-3-30	18	HZZ3-63718-000	SEAL A, COVER UNDER	1	1	
F-3-30	19	HZY6-90043-000	BOLT, STUD 2, 8X25	2	2	
F-3-30	20	HZZ3-90101-000	BOLT, STUD, 10X125	2	2	
F-3-30	21	HZW9-90105-000	BOLT, FLANGE, 6X20	1	1	
F-3-30	22	HZW4-90306-003	NUT, FLANGE, 10MM	2	2	
F-3-30	23	HZW4-90501-000	WASHER, PLAIN, 10MM	2	2	
F-3-30	24	HZV4-90603-000	CLIP, TUBE(B10)	1	1	
F-3-30	25	HZV0-90604-000	CLIP, TUBE(B12)	2	2	
F-3-30	26	HZV4-90605-000	CLIP, TUBE(B12.5)	2	2	
F-3-30	27	HZY6-90651-000	CLIP B1, TUBE	3	3	
F-3-30	28	HZW2-91251-F01	SEAL, WATER, 17X26X7	2	2	
F-3-30	29	H800-91303-000	O-RING, 16MM	1	1	

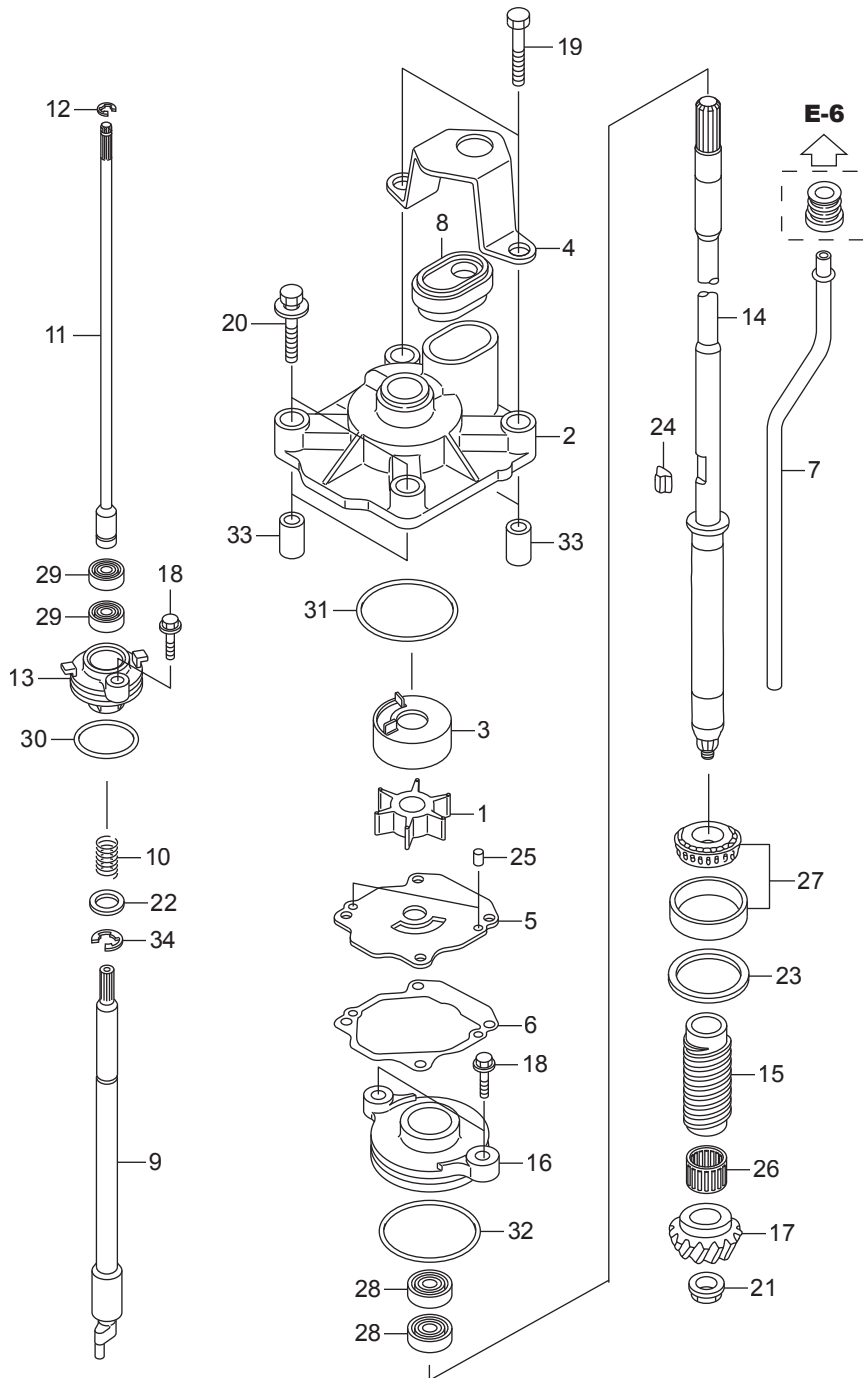




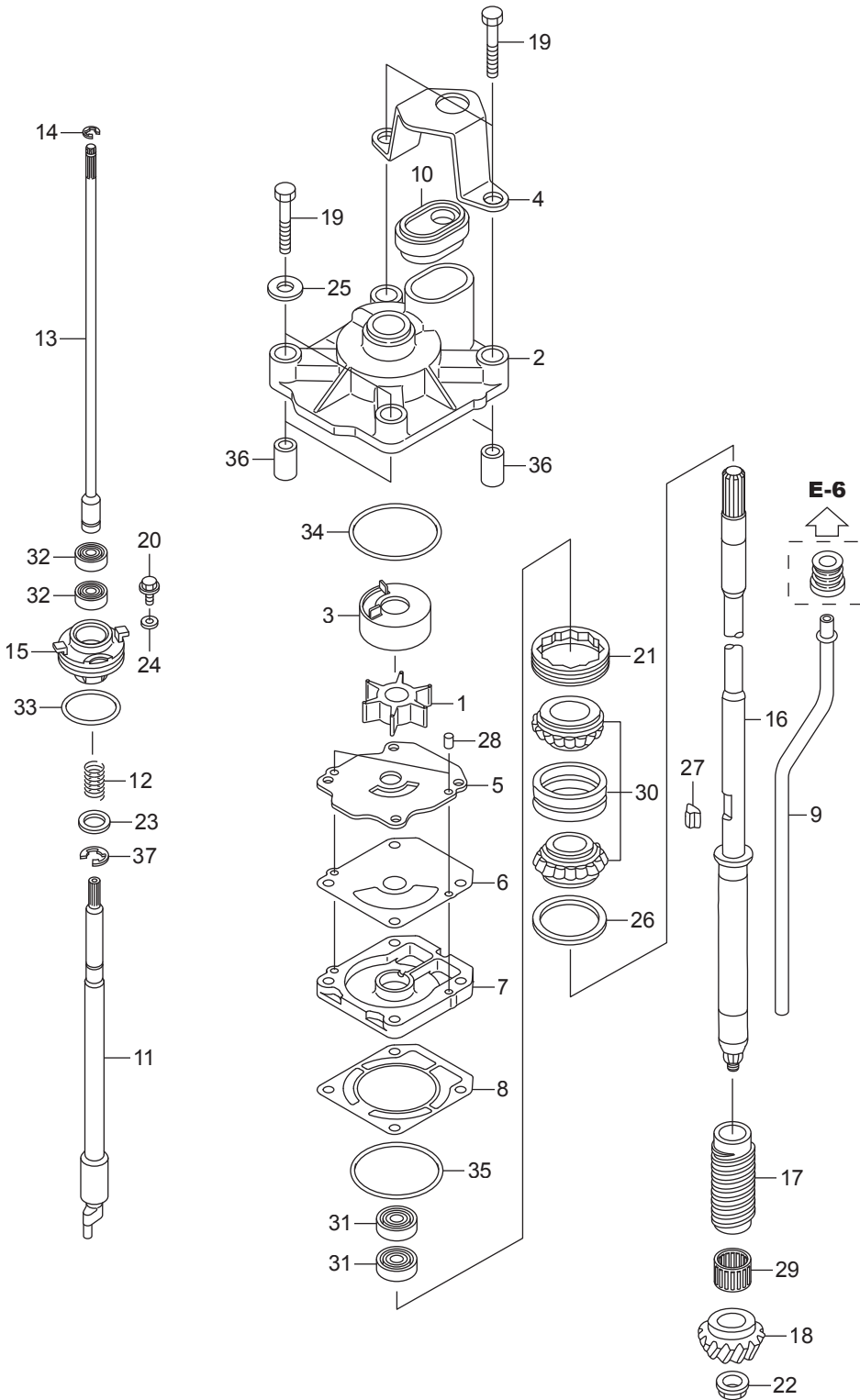




Ref.No.	Part No.	Description	Q' ty		Remarks
			BFT60A	BFW60A	
F-4	1	HZV5-19210-003	IMPELLER, PUMP	1	
F-4	2	HZZ3-19221-000	HOUSING, IMPELLER	1	
F-4	3	HZZ3-19223-000	LINER, PUMP	1	
F-4	4	HZZ3-19228-000	HOLDER, WATER TUBE SEAL	1	
F-4	5	HZZ3-19231-000	COVER, IMPELLER	1	
F-4	6	HZZ3-19234-000	GASKET, IMPELLER	1	
F-4	7	HZZ3-19251-000	TUBE, WATER(L)	1	
F-4	8	HZZ3-19253-000	RUBBER, WATER TUBE SEAL	1	
F-4	9	HZZ3-24310-000	ROD COMP., SHIFT	1	
F-4	10	HZY3-24318-000	SPRING, SHIFT ROD	1	
F-4	11	HZW1-24320-B00	ROD A COMP., SHIFT(L)	1	
F-4	12	HZW1-24327-000	RING, STOPPER	1	
F-4	13	HZZ3-24343-000	HOLDER, SHIFT ROD	1	
F-4	14	HZZ3-41112-000	SHAFT, VERTICAL(L)	1	
F-4	15	HZV5-41116-000	SLINGER, OIL	1	
F-4	16	HZZ3-41117-000	HOUSING, WATER SEAL	1	
F-4	17	HZZ3-41131-000	GEAR, PINION(14T)	1	
F-4	18	HZW9-90105-000	BOLT, FLANGE, 6X20	3	
F-4	19	H881-90116-000	BOLT, HEX., 8X40	2	
F-4	20	HZY6-90116-000	BOLT-WASHER, 8X40	2	
F-4	21	HZV5-90303-000	NUT, SPECIAL(12MM)	1	
F-4	22	H723-90472-000	WASHER, PLAIN, 12MM	1	
F-4	23	HZV5-90518-000	SHIM, GEAR(A)(40X46X0.10)	1	
F-4	23	HZV5-90519-000	SHIM, GEAR(B)(40X46X0.15)	1	
F-4	23	HZV5-90520-000	SHIM, GEAR(C)(40X46X0.30)	1	
F-4	23	HZV5-90521-000	SHIM, GEAR(D)(40X46X0.50)	1	
F-4	24	HZV5-90752-003	KEY, WOODRUFF	1	
F-4	25	HZV5-90756-000	DOWEL PIN, 6X10	2	
F-4	26	HZZ3-91052-003	BEARING, NEEDLE, 7/8X11/8X1	1	

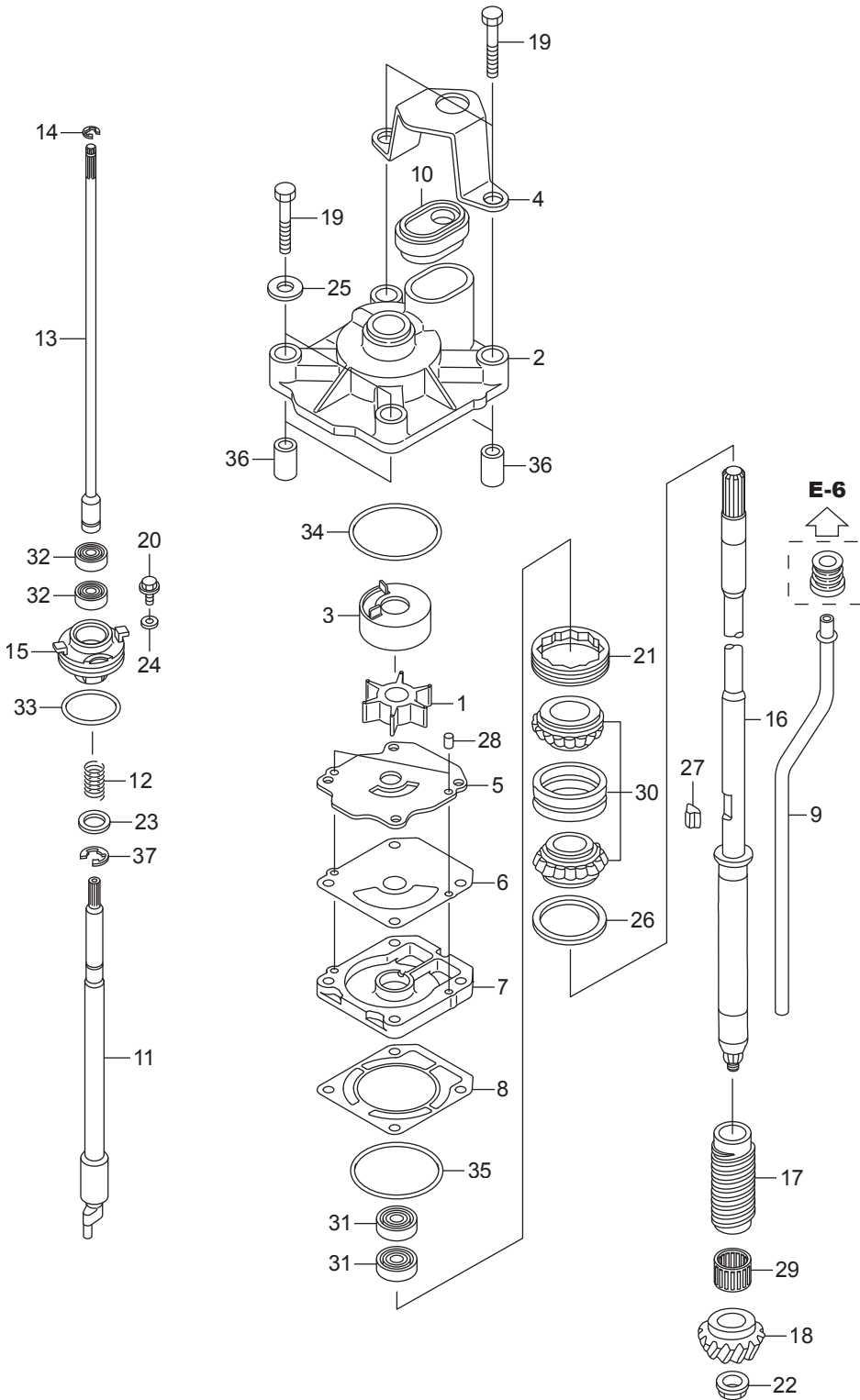






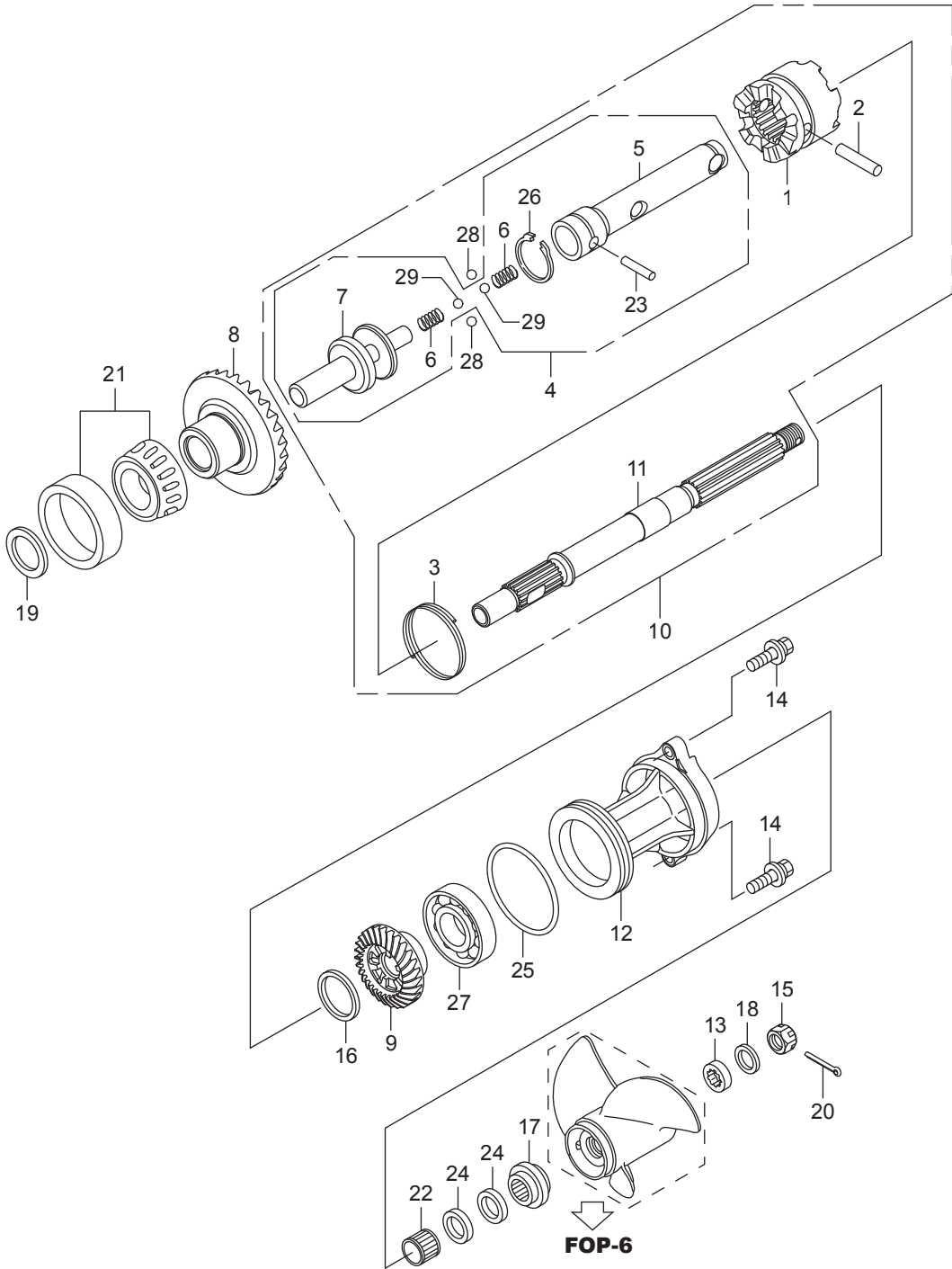
FR.

Ref.No.	Part No.	Description	Q' ty		Remarks
			BFT60A	BFW60A	
F-4-1	1	HZV5-19210-003		1	
F-4-1	2	HZZ3-19221-000		1	
F-4-1	3	HZZ3-19223-000		1	
F-4-1	4	HZZ3-19228-000		1	
F-4-1	5	HZZ3-19231-000		1	
F-4-1	6	HZZ3-19234-E00		1	(POWER THRUST)
F-4-1					
F-4-1	7	HZZ0-19241-000		1	
F-4-1	8	HZW1-19242-B00		1	
F-4-1	9	HZZ3-19251-E00		1	
F-4-1	10	HZZ3-19253-000		1	
F-4-1	11	HZZ0-24310-000		1	
F-4-1	12	HZY3-24318-000		1	
F-4-1	13	HZW1-24320-B00		1	
F-4-1	14	HZW1-24327-000		1	
F-4-1	15	HZW1-24343-B02		1	
F-4-1	16	HZZ3-41112-E00		1	(POWER THRUST)
F-4-1	17	HZW1-41116-B00		1	
F-4-1	18	HZW1-41131-B01		1	
F-4-1	19	HZV5-90010-000		4	
F-4-1	20	HZW9-90102-000		1	
F-4-1	21	HZW1-90242-000		1	
F-4-1	22	HZW1-90303-B03		1	
F-4-1	23	H723-90472-000		1	
F-4-1	24	HZV4-90511-000		1	
F-4-1	25	H921-90514-000		2	
F-4-1	26	HZW1-90518-B00		1	
F-4-1	26	HZW1-90519-B00		1	
F-4-1	26	HZW1-90520-B00		1	



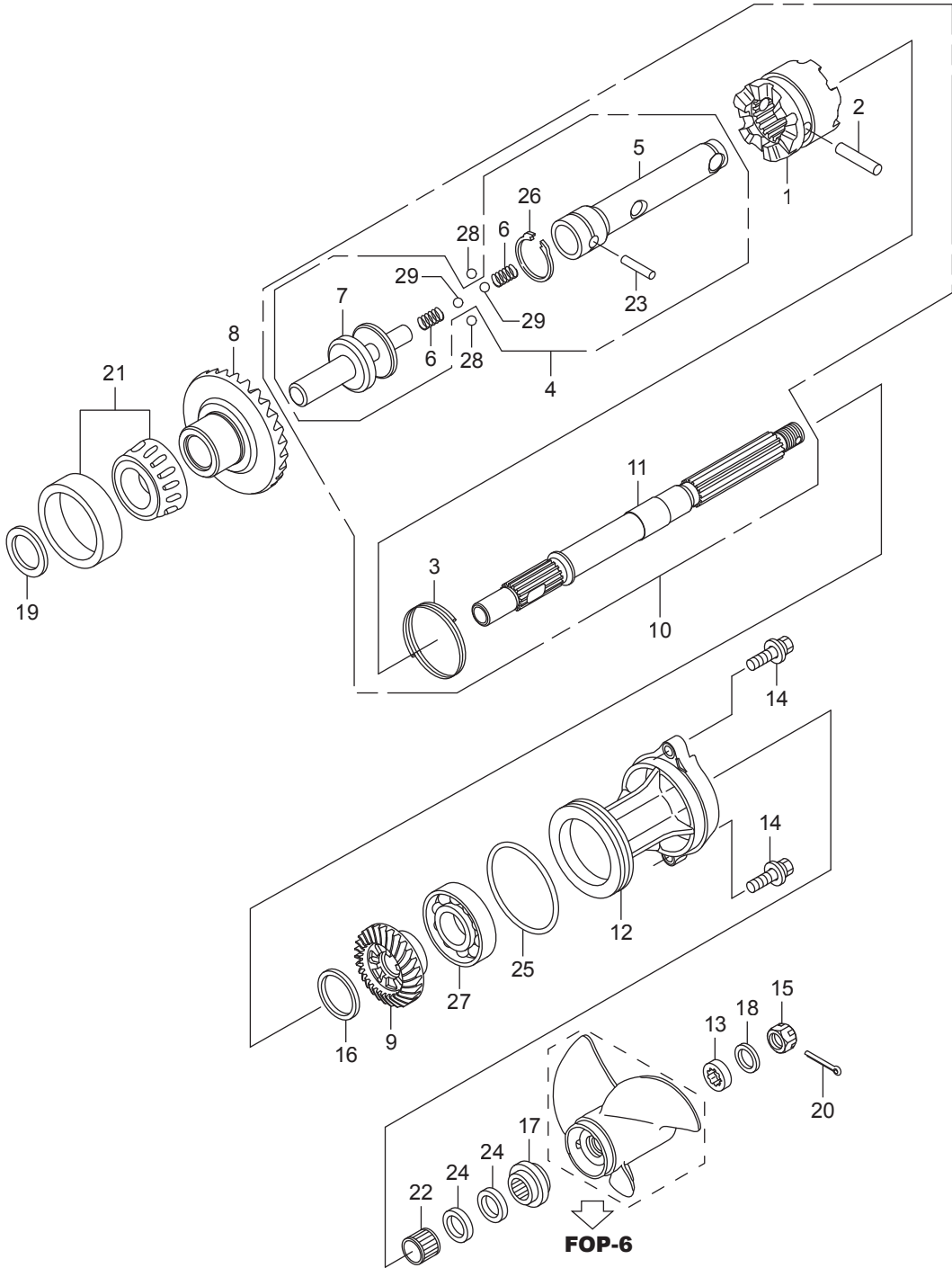






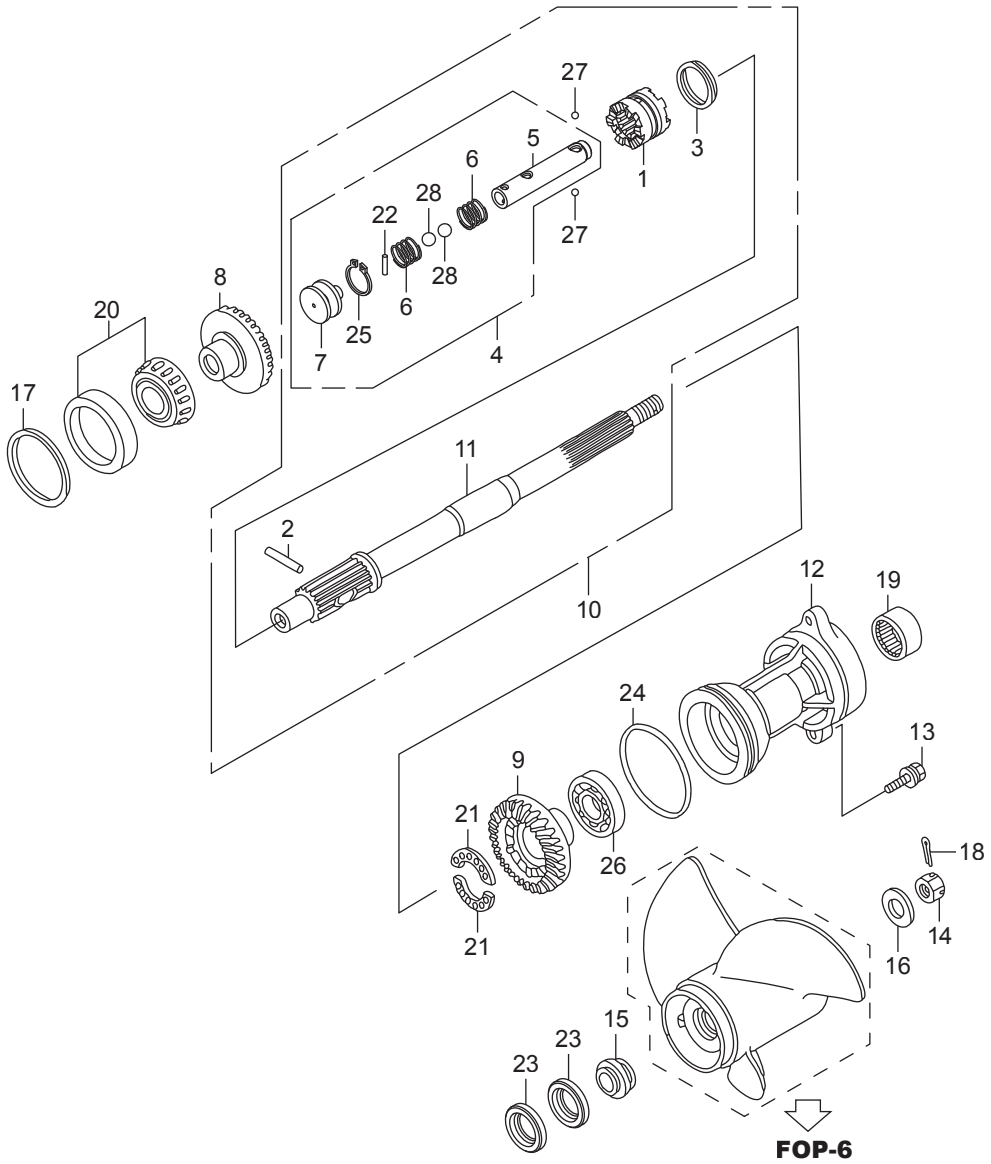
**FR.**

Ref.No.	Part No.	Description	Q' ty		Remarks
			BFT60A	BFW60A	
F-5	1	HZZ3-24101-000	SHIFTER, CLUTCH	1	
F-5	2	HZV5-24102-000	PIN, SHIFTER, 6.3X33	1	
F-5	3	HZV5-24103-000	RING, CROSS PIN	1	
F-5	4	HZZ3-24113-000	SLIDER COMP., SHIFT	1	
F-5	5	HZZ3-24122-000	SLIDER, SHIFT	1	
F-5	6	HZZ3-24123-000	SPRING, SHIFT	2	
F-5	7	HZZ3-24124-000	PLATE, SHIFT	1	
F-5	8	HZZ3-41140-000	GEAR COMP., FR. BEVEL(29T)	1	
F-5	9	HZZ3-41151-000	GEAR, RR. BEVEL(29T)	1	
F-5	10	HZZ3-41160-000	SHAFT ASSY., PROPELLER	1	
F-5	11	HZZ3-41161-000	SHAFT, PROPELLER	1	
F-5	12	HZZ3-41201-000ZD	HOLDER, PROPELLER SHAFT	1	*T107* BAY BLUE
F-5	13	HZV5-58151-000	SPACER, 10MM	1	
F-5	14	HZY6-90105-000	BOLT-WASHER, 8X30	2	
F-5	15	HZV5-90301-000	NUT, CASTLE, 16MM	1	
F-5	16	HZV5-90503-000	WASHER, 22MM	1	
F-5	17	HZV5-90506-020	WASHER, PROPELLER THRUST	1	
F-5	18	HZV5-90508-000	WASHER, 17MM	1	
F-5	19	HZV5-90528-000	SHIM, FR. BEVEL(A)(51X57X0.10)	1	
F-5	19	HZV5-90529-000	SHIM, FR. BEVEL(B)(51X57X0.15)	1	
F-5	19	HZV5-90530-000	SHIM, FR. BEVEL(C)(51X57X0.30)	1	
F-5	19	HZV5-90531-000	SHIM, FR. BEVEL(D)(51X57X0.50)	1	
F-5	20	HZV5-90758-000	PIN, SPLIT, 4.0	1	
F-5	21	HZZ5-91051-003	BEARING, 32X58X17	1	
F-5	22	HZV5-91053-003	BEARING, NEEDLE, 22X28X20	1	
F-5	23	HZW1-91101-003	ROLLER, 3X12.8	1	
F-5	24	HZW4-91252-003	SEAL, WATER, 22X35X7	2	
F-5	25	HZZ3-91352-000	O-RING, 76.5X3	1	
F-5	26	HZZ3-91451-000	CIRCLIP, 14MM	1	



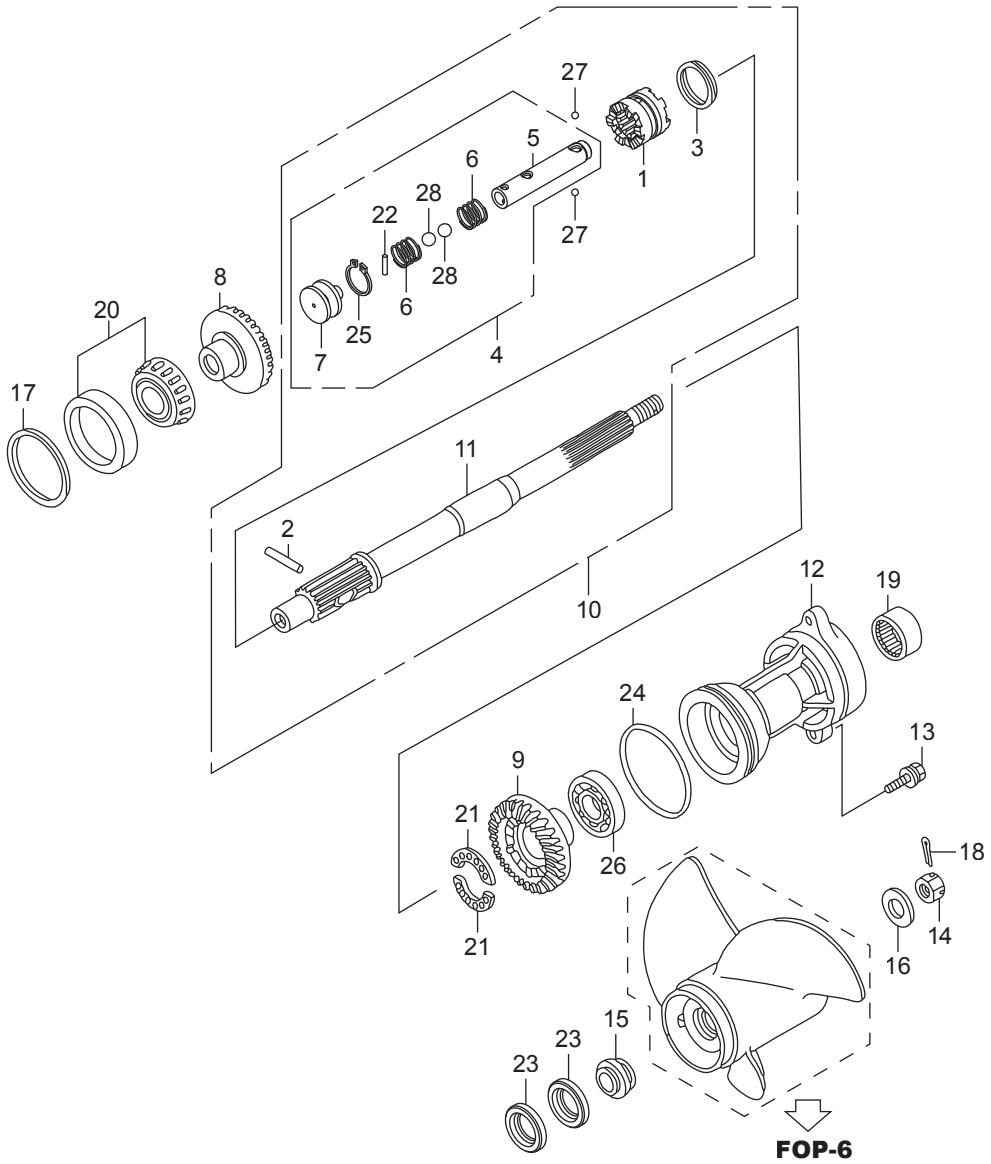
FR.





FR.

Ref.No.	Part No.	Description	Q' ty		Remarks
			BFT60A	BFW60A	
F-5-1	1	HZZ3-24101-E00		1	
F-5-1	2	HZW1-24102-B00		1	
F-5-1	3	HZW1-24103-B00		1	
F-5-1	4	HZZ3-24113-E00		1	(POWER THRUST)
F-5-1	5	HZZ3-24122-E00		1	
F-5-1	6	HZZ3-24123-E00		2	
F-5-1	7	HZZ0-24124-000		1	
F-5-1	8	HZZ3-41140-E00		1	(POWER THRUST)
F-5-1	9	HZZ3-41151-E00		1	(POWER THRUST)
F-5-1	10	HZZ3-41160-E00		1	(POWER THRUST)
F-5-1	11	HZZ3-41161-E00		1	
F-5-1	12	HZW1-41201-B02ZD		1	*T107* BAY BLUE
F-5-1	13	HZY6-90123-000		2	
F-5-1	14	HZW1-90301-B00		1	
F-5-1	15	HZW1-90506-B00		1	
F-5-1	16	HZW1-90508-B00		1	
F-5-1	17	HZW1-90528-B00		1	
F-5-1	17	HZW1-90529-B00		1	
F-5-1	17	HZW1-90530-B00		1	
F-5-1	17	HZW1-90531-B00		1	
F-5-1	18	HZW1-90758-B00		1	
F-5-1	19	HMY5-91005-601		1	
F-5-1	20	HZW1-91051-B02		1	(50X82X21.5)
F-5-1	21	HZW5-91054-003		2	
F-5-1	22	HZW1-91101-003		1	
F-5-1	23	HZZ3-91252-003		2	
F-5-1	24	HZW1-91351-B02		1	
F-5-1	25	HCO-94510-14000		1	
F-5-1	26	HCO-96100-62080-00		1	

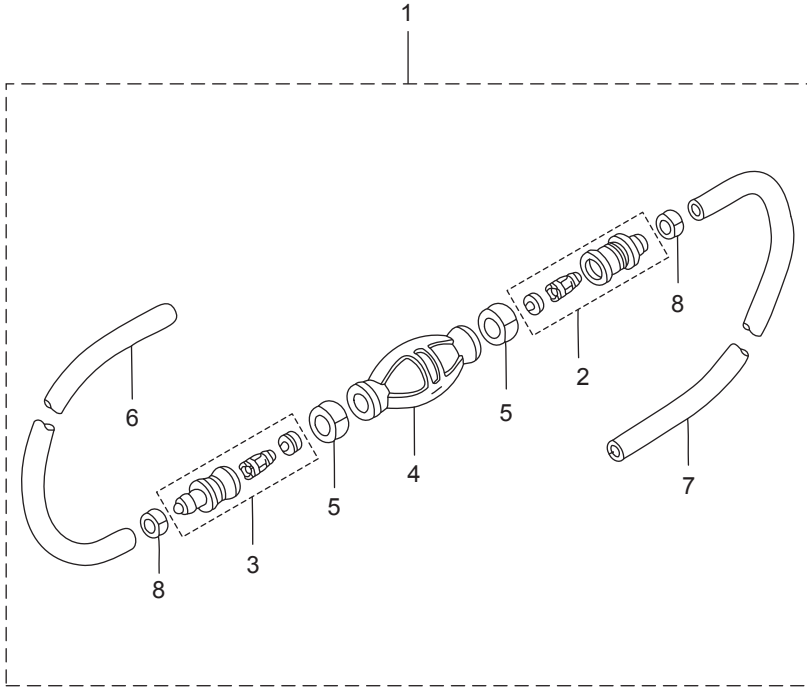


FOP-6

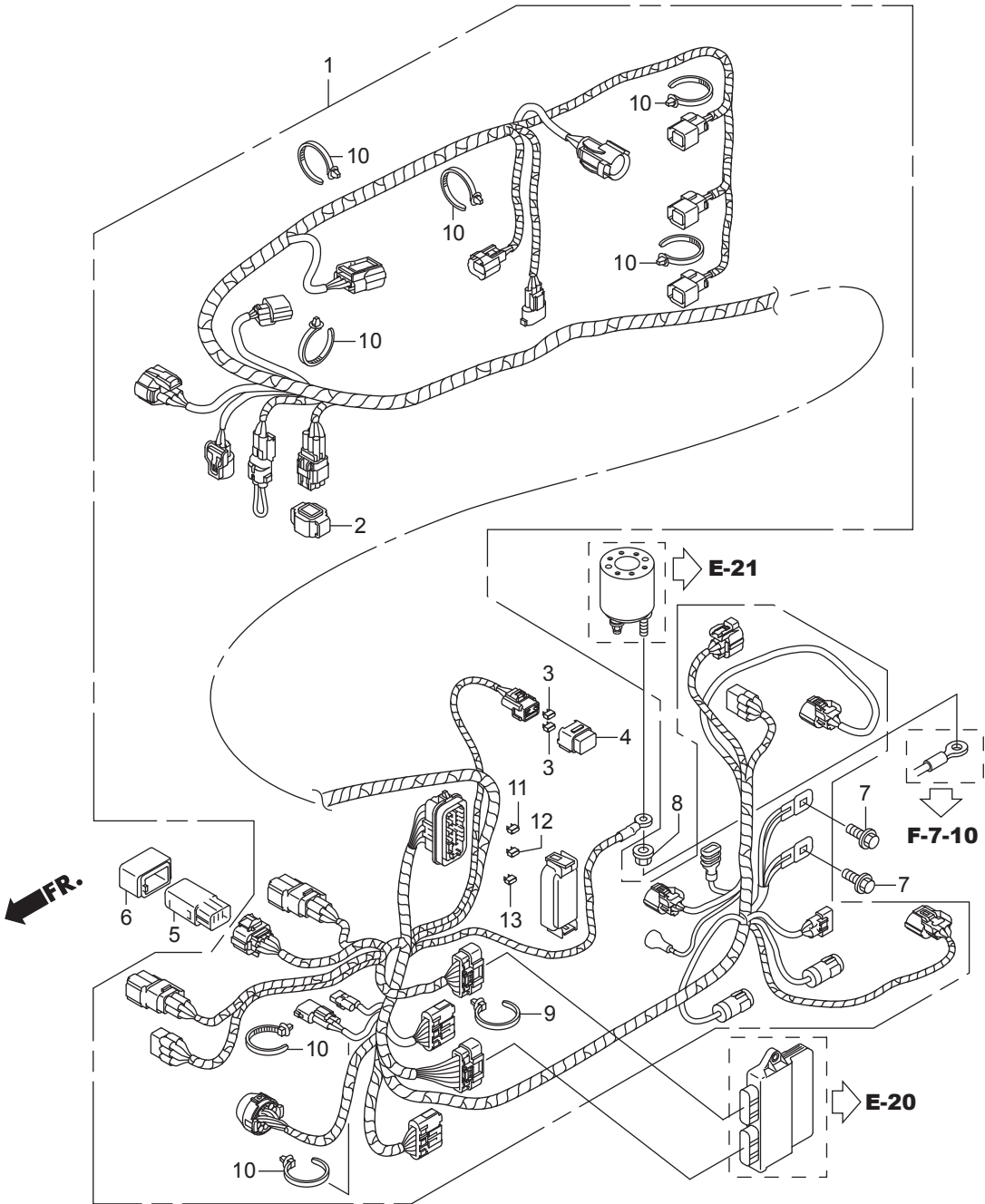




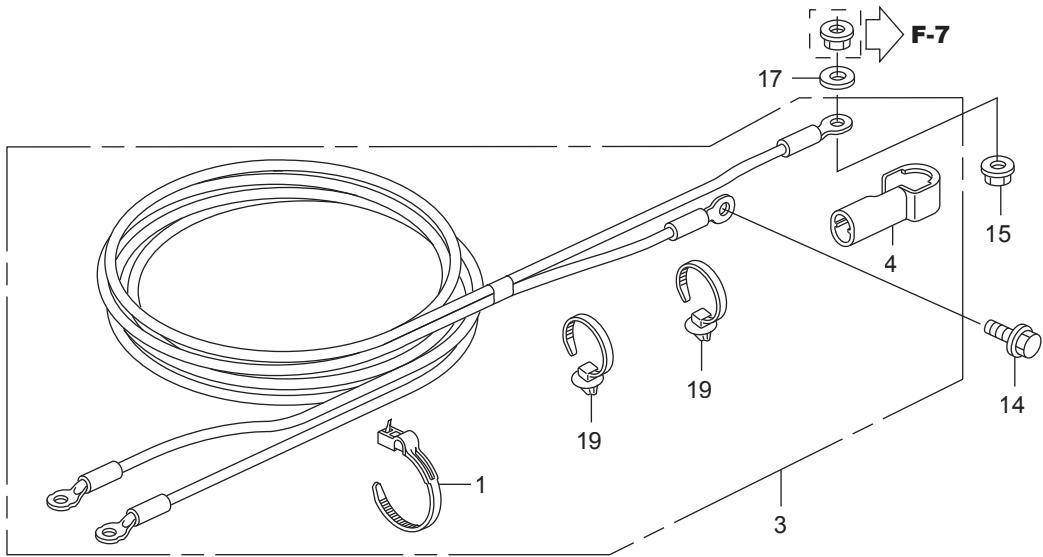




Ref.No.	Part No.	Description	Q'ty		Remarks	
			BFT60A	BFW60A		
F-6						
F-6	1	3FF-70200-4	PRIMER BULB ASSY	1	1	Low Permeation Parts for USA Model
F-6	2	3C7-70220-1	* JOINT ASSY (INLET)	1	1	
F-6	3	3C7-70224-1	* JOINT ASSY (OUTLET)	1	1	
F-6						
F-6	4	3GF-70211-1	* PRIMER BULB	1	1	Low Permeation Parts for USA Model
F-6	5	3C7-70217-0	* CLAMP	2	2	
F-6						
F-6	6	3GF-70241-1	* LOW PERMEATION HOSE L=700	1	1	Low Permeation Parts USA EPA-KRI-15G
F-6						
F-6	7	3GF-70240-1	* LOW PERMEATION HOSE L=1600	1	1	Low Permeation Parts USA EPA-KRI-15G
F-6	8	332-70201-0	* CLAMP	2	2	

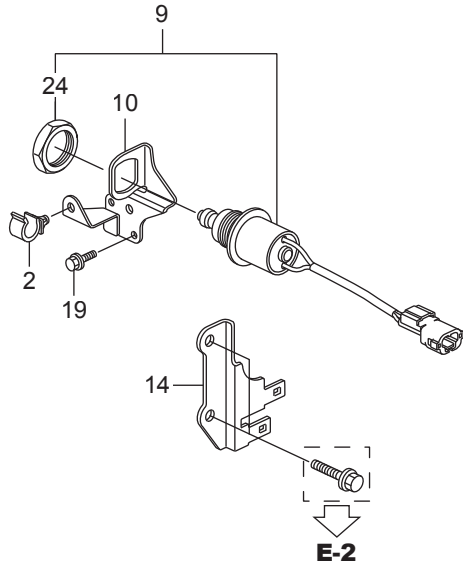
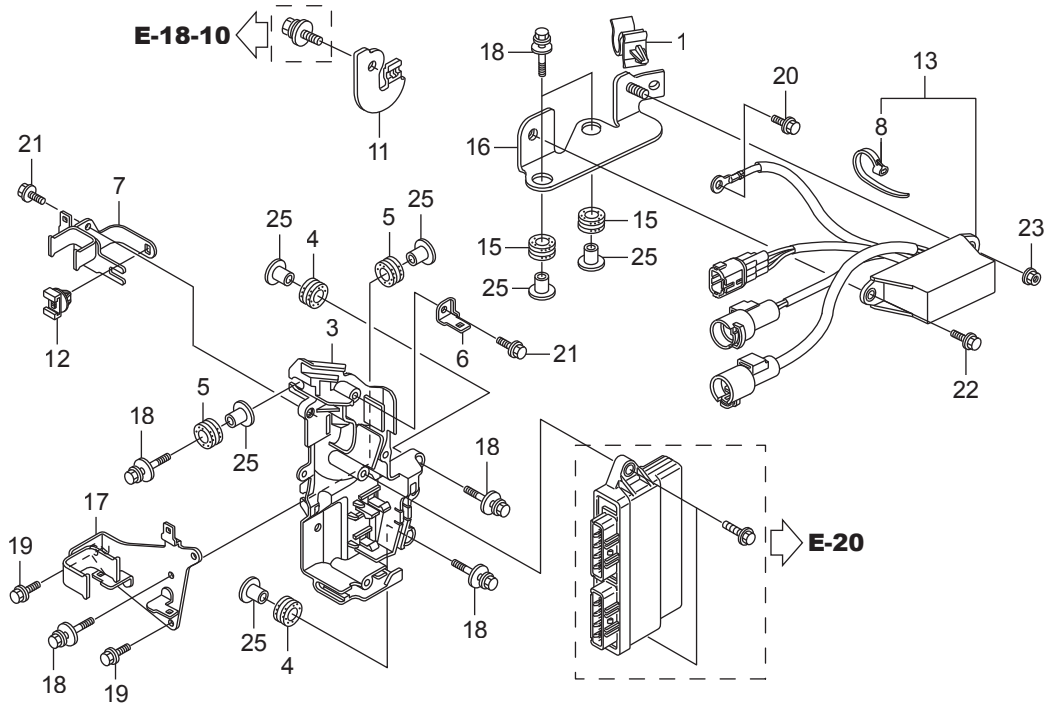






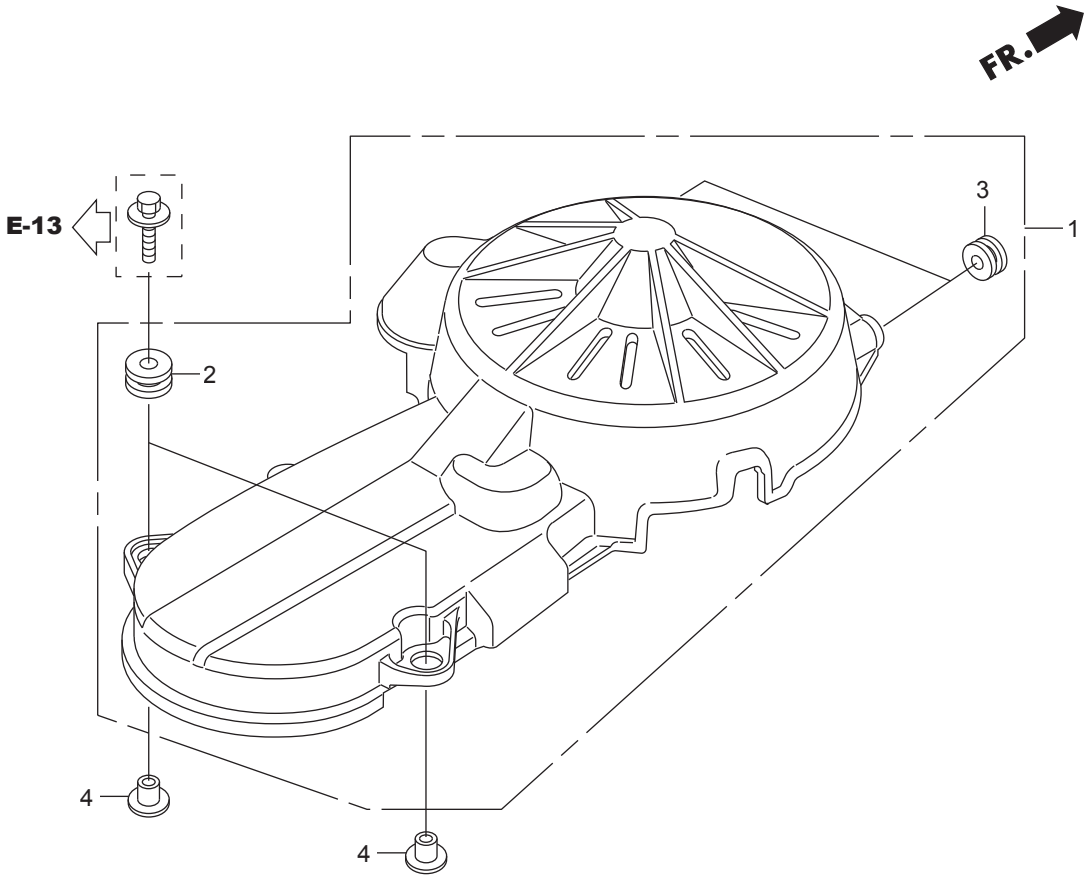
**FR.**



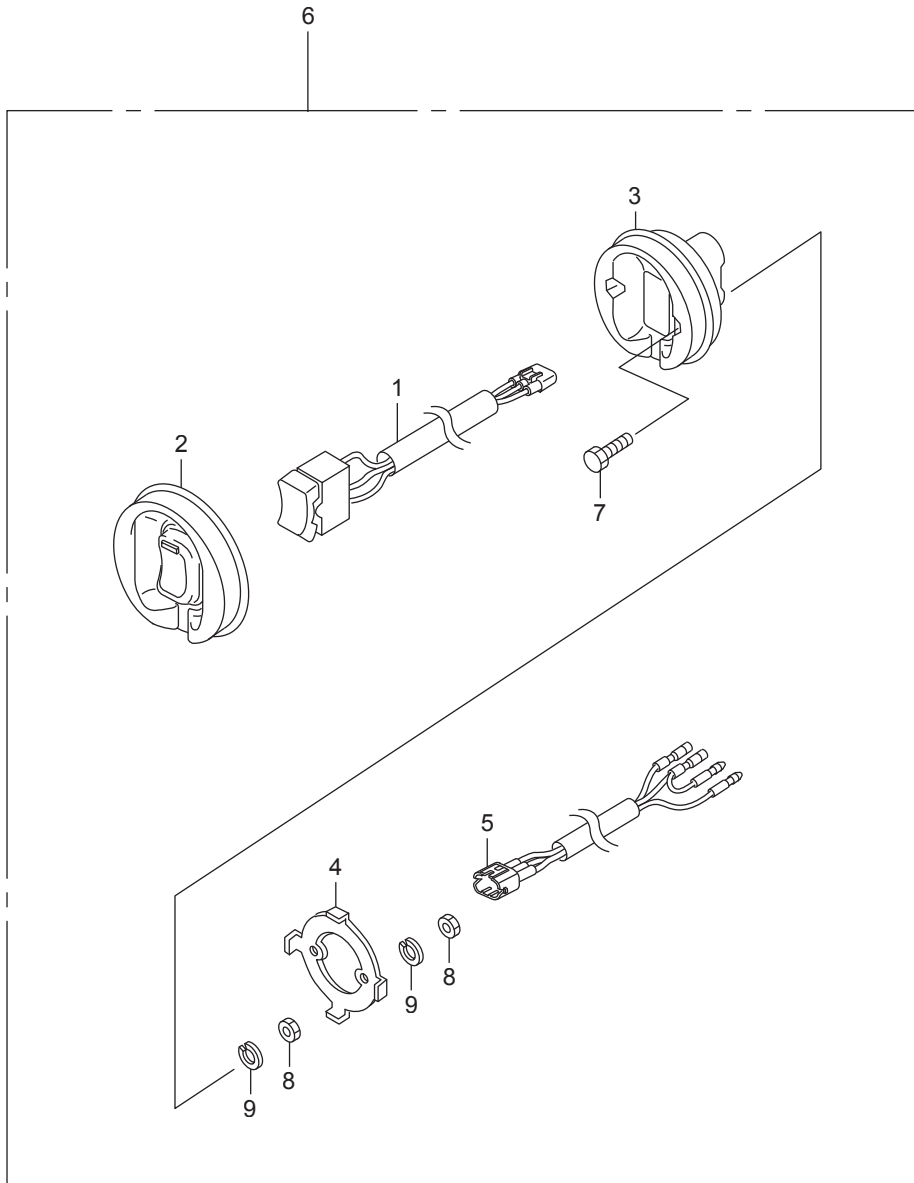




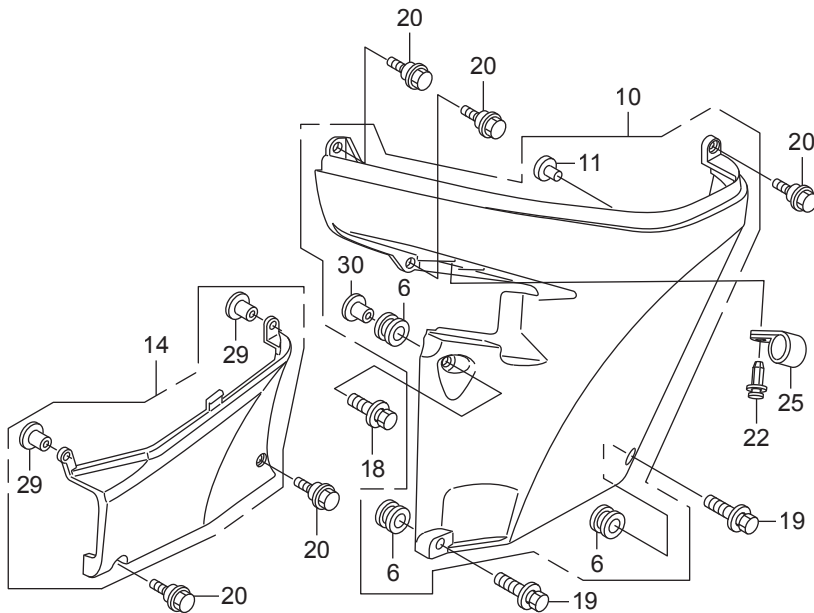
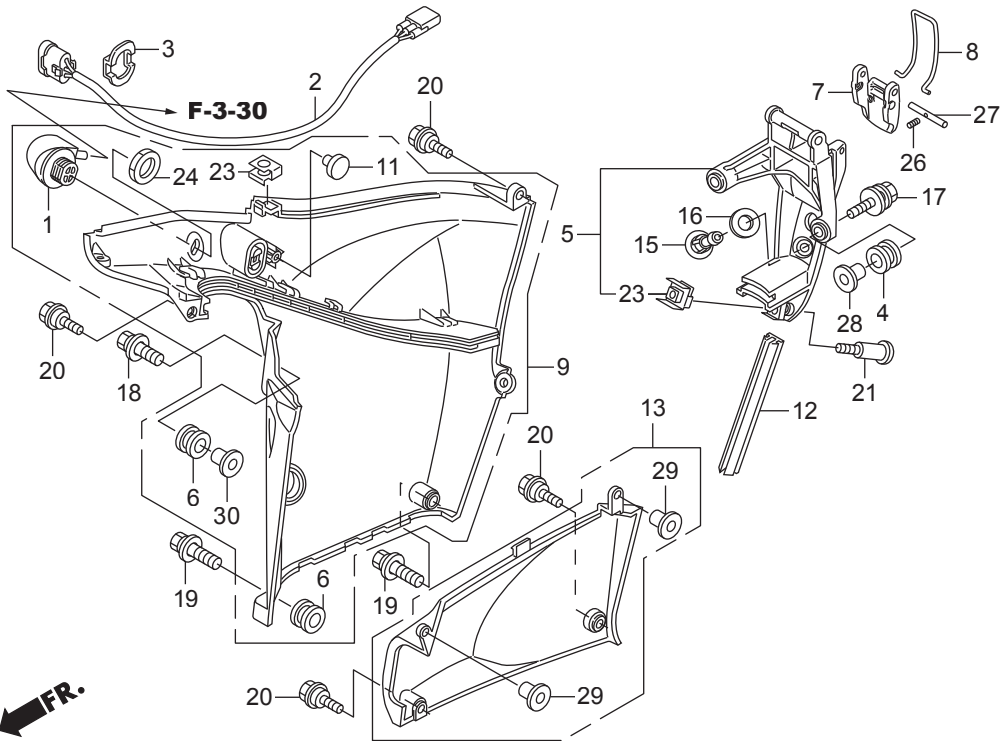
Ref.No.	Part No.	Description	Q' ty		Remarks	
			BFT60A	BFW60A		
F-7-20	1	HZ0G-16446-003	CLAMP, FUEL TUBE	1	1	
F-7-20	2	HZY9-16896-003	CLAMP B, FUEL TUBE	1	1	
F-7-20	3	HZZ3-30416-000	CASE, ELECTRONIC PARTS	1	1	
F-7-20	4	HZY9-30419-003	GROMMET, ELECTRONIC PARTS CASE	2	2	
F-7-20	5	HZV5-30598-000	GROMMET, C.D.I. UNIT CASE(B)	2	2	
F-7-20	6	HZZ3-32101-000	BRACKET, A.C. GENERATOR FUSE	1	1	
F-7-20	7	HZZ3-32102-000	BRACKET, FUSE	1	1	
F-7-20	8	H952-32901-770	TIE, CABLE(NATURAL)(2.4X92)	1	1	
F-7-20	9	HZZ3-35470-023	SWITCH ASSY., NEUTRAL	1	1	
F-7-20	10	HZZ3-35475-000	BRACKET COMP., NEUTRAL SWITCH	1	1	
F-7-20	11	HZZ3-35645-000	BRACKET, POWER TILT SWITCH	1	1	COUPLER
F-7-20	12	HZY3-38216-003	CLIP, COUPLER HOLDER(B)	1	1	
F-7-20	13	HZZ3-38550-003	RELAY ASSY., POWER TILT	1	1	
F-7-20	14	HZZ3-38552-000	BRACKET A, POWER TILT COUPLER	1	1	
F-7-20	15	HZY9-38553-003	GROMMET, RELAY BRACKET	2	2	
F-7-20	16	HZZ3-38553-000	BRACKET, POWER TILT RELAY	1	1	
F-7-20	17	HZZ3-38582-000	BRACKET, MAIN RELAY	1	1	
F-7-20	18	HZW2-90003-000	BOLT-WASHER, 6X27(CT200)	6	6	
F-7-20	19	HZW9-90011-000	BOLT, FLANGE, 6X14(CT200)	3	3	
F-7-20	20	HZW9-90013-000	BOLT, FLANGE, 6X12	1	1	
F-7-20	21	HZW9-90014-000	BOLT, FLANGE, 6X10	2	2	
F-7-20	22	HZY3-90021-000	BOLT, FLANGE, 6X14	1	1	
F-7-20	23	HZW2-90301-F00	NUT, FLANGE, 6MM	1	1	
F-7-20	24	HZV5-90302-003	NUT, HEX., 20MM	1	1	
F-7-20	25	HZV5-91553-010	COLLAR, C.D.I. UNIT CASE	6	6	



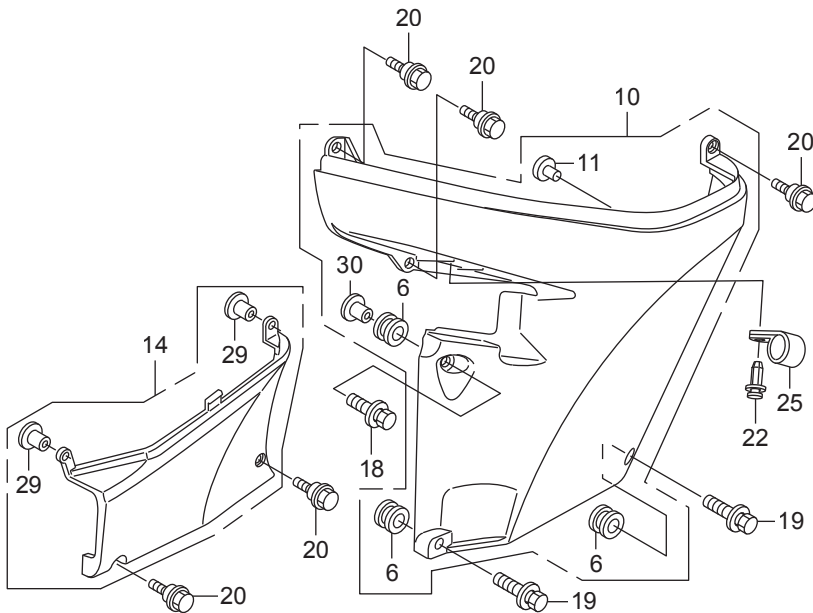
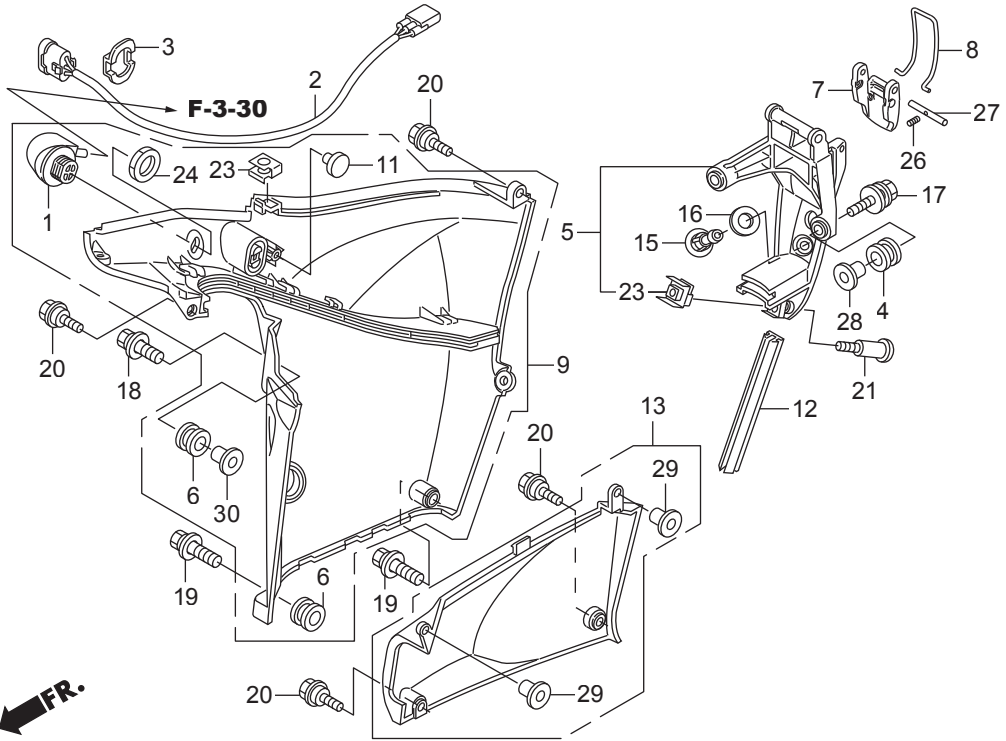






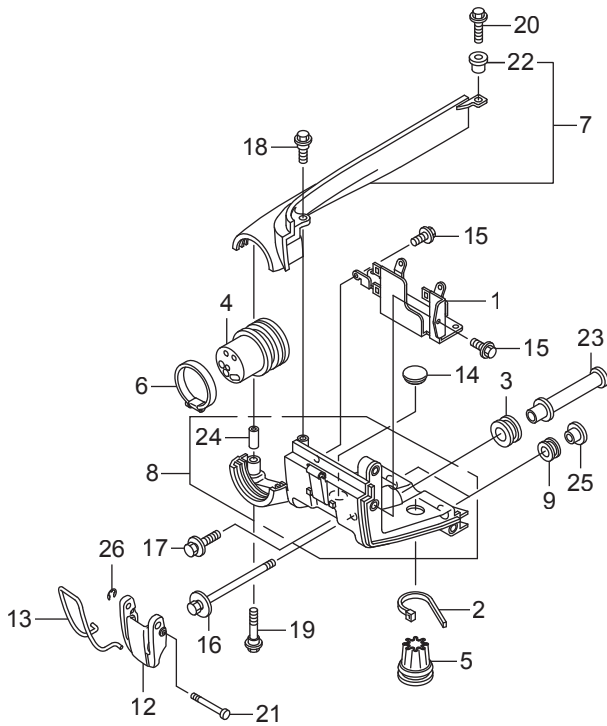
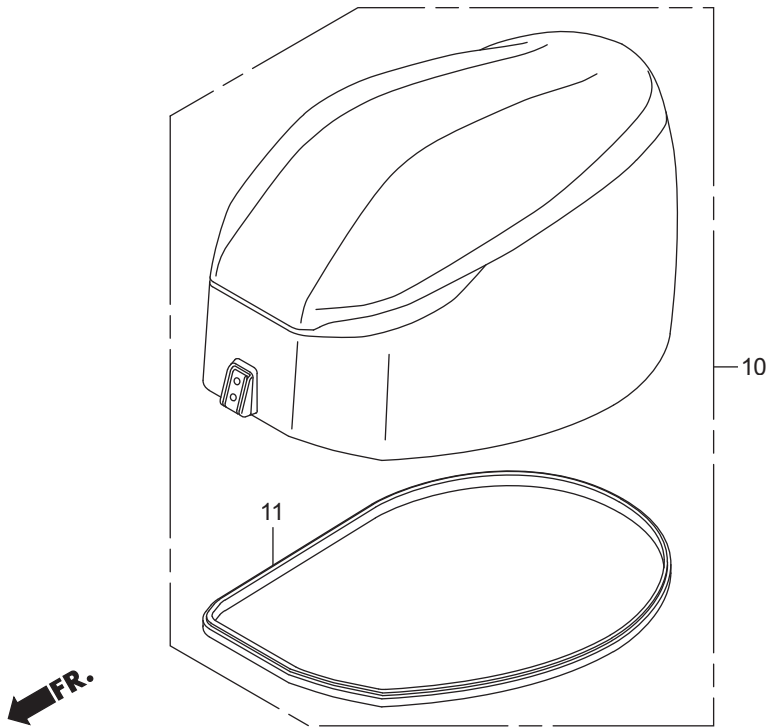


Ref.No.	Part No.	Description	Q' ty		Remarks	
			BFT60A	BFW60A		
F-8	1	HZY6-19289-000	CAP, WATER JOINT	1	1	
F-8	2	HZZ3-35640-003	SWITCH ASSY., POWER TILT	1	1	
F-8	3	HZY9-35645-000	STAY, POWER TILT SWITCH	1	1	
F-8	4	HZV5-40102-000	GROMMET, UNDER CASE	2	2	
F-8	5	HZZ3-40155-000	BRACKET, RR. UNDER COVER	1	1	
F-8	6	HMB6-61102-631	RUBBER, FENDER MOUNTING	6	6	
F-8	7	HZY9-63232-010	LEVER, FASTENER	1	1	
F-8	8	HZY9-63237-000	WIRE, FASTENER	1	1	
F-8	9	HZZ3-63710-000ZC	COVER ASSY., R. ENGINE UNDER	1	1	*T107* BAY BLUE
F-8	10	HZZ3-63715-000ZC	COVER ASSY., L. ENGINE UNDER	1	1	*T107* BAY BLUE
F-8	11	HZW9-63718-000	RUBBER, CUSHION	2	2	
F-8	12	HZZ3-63724-000	SEAL, RR. UNDER COVER	1	1	
F-8	13	HZZ3-63731-000ZC	COVER, R. LOWER MOUNTING	1	1	*T107* BAY BLUE
F-8	14	HZZ3-63736-000ZC	COVER, L. LOWER MOUNTING	1	1	*T107* BAY BLUE
F-8	15	HZY9-82873-000	GROMMET, WATER CHECK	1	1	
F-8	16	HZY9-82874-000	SEAL, WATER CHECK GROMMET	1	1	
F-8	17	HZW1-90013-000	BOLT-WASHER, 6X25	2	2	
F-8	18	HZY9-90103-000	BOLT-WASHER, 6X22	2	2	
F-8	19	HZZ3-90106-000	BOLT-WASHER, 6X27	4	4	
F-8	20	HZY3-90111-000	BOLT, SPECIAL, 6X17	9	9	
F-8	21	HZY9-90113-003	BOLT, RR. BRACKET	1	1	
F-8	22	HZV5-90127-003	SCREW, RIVET, 5X10	1	1	
F-8	23	HZY6-90301-000	NUT, CLIP	2	2	
F-8	24	H921-90302-000	NUT, HEX., 16MM	1	1	
F-8	25	HSB0-90602-003	CLIP, 10.7MM	1	1	
F-8	26	HZY9-90751-000	PIN, SPRING, 2.0X12	1	1	
F-8	27	HZY9-90755-000	PIN, 5X59	1	1	
F-8	28	HZV5-91553-010	COLLAR, C.D.I. UNIT CASE	2	2	
F-8	29	HZY6-91553-000	COLLAR, DISTANCE, 6.5X9X5	4	4	

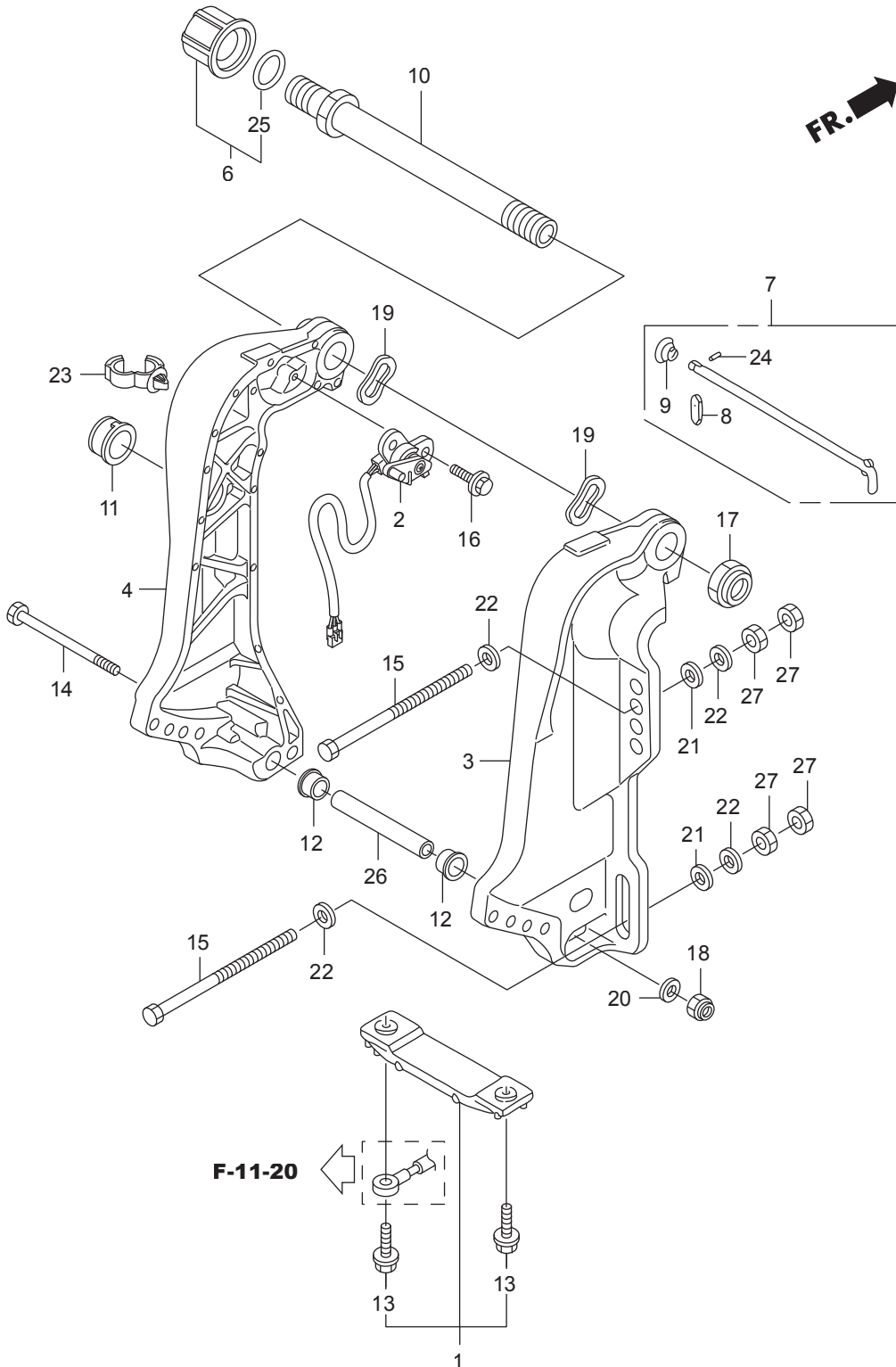




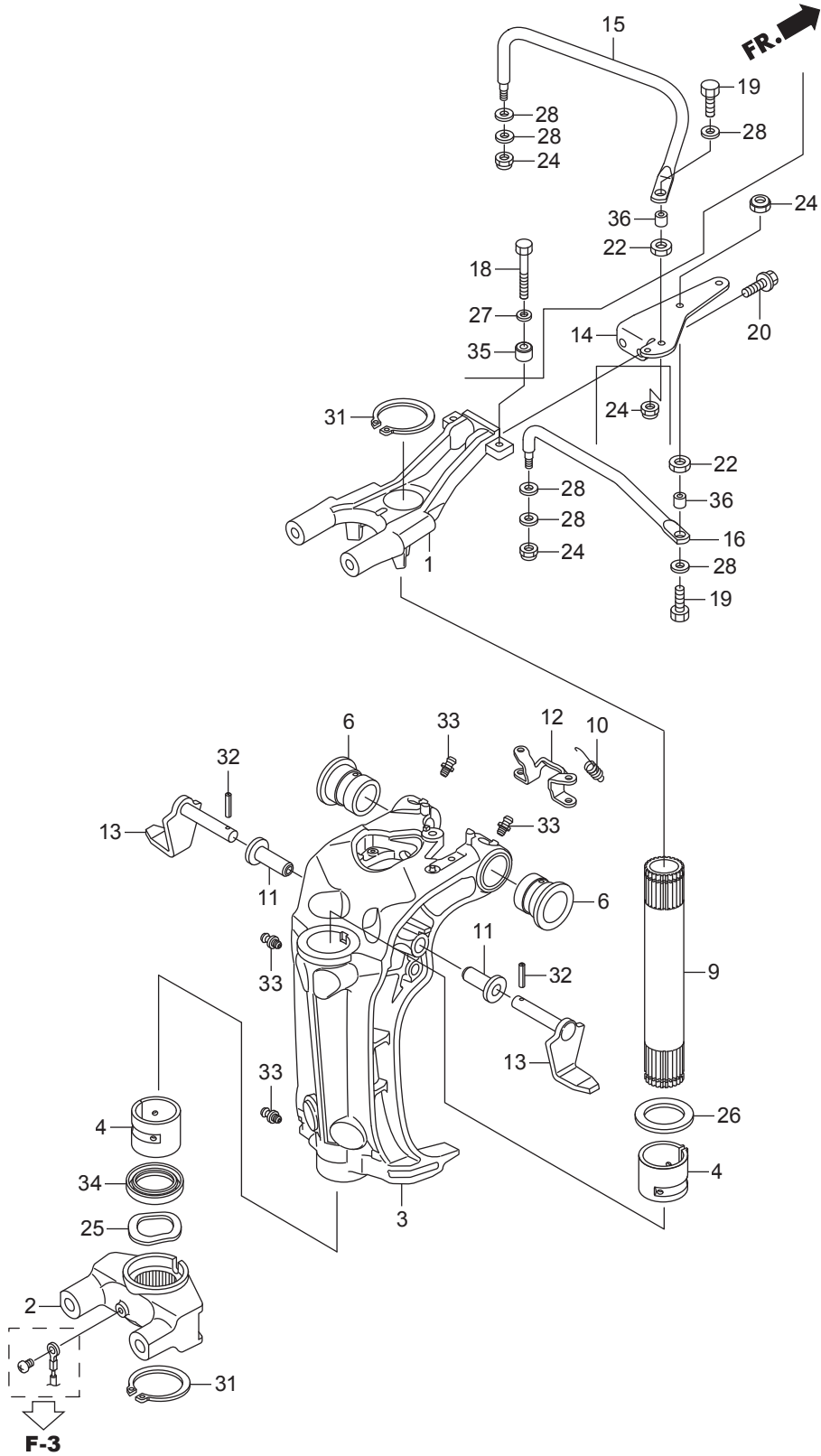




Ref.No.	Part No.	Description	Q' ty		Remarks	
			BFT60A	BFW60A		
F-8-10	1	HZZ3-32581-000	BRACKET, REMOTE CONTROL CABLE	1	1	
F-8-10	2	HMG9-35701-950	BAND(BLACK 3.5X140)	1	1	
F-8-10	3	HZV5-40102-000	GROMMET, UNDER CASE	1	1	
F-8-10	4	HZZ3-40105-000	GROMMET, REMOTE CONTROL CABLE	1	1	
F-8-10	5	HZW1-40107-700	GROMMET, UNDER CASE(C)	1	1	
F-8-10	6	HZY3-40119-003	BAND, UNDER CASE GROMMET	1	1	
F-8-10	7	HZZ3-40151-000ZC	COVER, FR. SEPARATE	1	1	*T107* BAY BLUE
F-8-10	8	HZZ3-40154-000ZC	BRACKET, FR. UNDER COVER	1	1	*T107* BAY BLUE
F-8-10	9	HMB6-61102-631	RUBBER, FENDER MOUNTING	2	2	
F-8-10	10	HZZ3-63100-010ZC	COVER ASSY., ENGINE	1	1	*T107* BAY BLUE
F-8-10	11	HZZ3-63102-000	SEAL, ENGINE COVER	1	1	
F-8-10	12	HZY9-63232-010	LEVER, FASTENER	1	1	
F-8-10	13	HZY9-63237-000	WIRE, FASTENER	1	1	
F-8-10	14	HZC0-63515-700	CAP, L. SIDE COVER	1	1	
F-8-10	15	HZW9-90014-000	BOLT, FLANGE, 6X10	2	2	
F-8-10	16	HZY9-90104-000	BOLT-WASHER, 6X95	1	1	
F-8-10	17	HZZ3-90106-000	BOLT-WASHER, 6X27	2	2	
F-8-10	18	HZY3-90111-000	BOLT, SPECIAL, 6X17	1	1	
F-8-10	19	HZY3-90132-000	BOLT, SPECIAL, 6X37	1	1	
F-8-10	20	HZW4-90168-000	BOLT, FLANGE,(SH)6X20	1	1	
F-8-10	21	HZY9-90754-000	PIN, 5X44.5	1	1	
F-8-10	22	HZY6-91553-000	COLLAR, DISTANCE, 6.5X9X5	1	1	
F-8-10	23	HZY9-91553-000	COLLAR, FR. BRACKET	1	1	
F-8-10	24	HZZ3-91553-000	COLLAR, DISTANCE, 6.1X9.1X20.5	1	1	
F-8-10	25	HZY9-91554-000	COLLAR, DISTANCE, 6.2X7.5	2	2	
F-8-10	26	HCO-94540-04029	E-RING, 4MM	1	1	

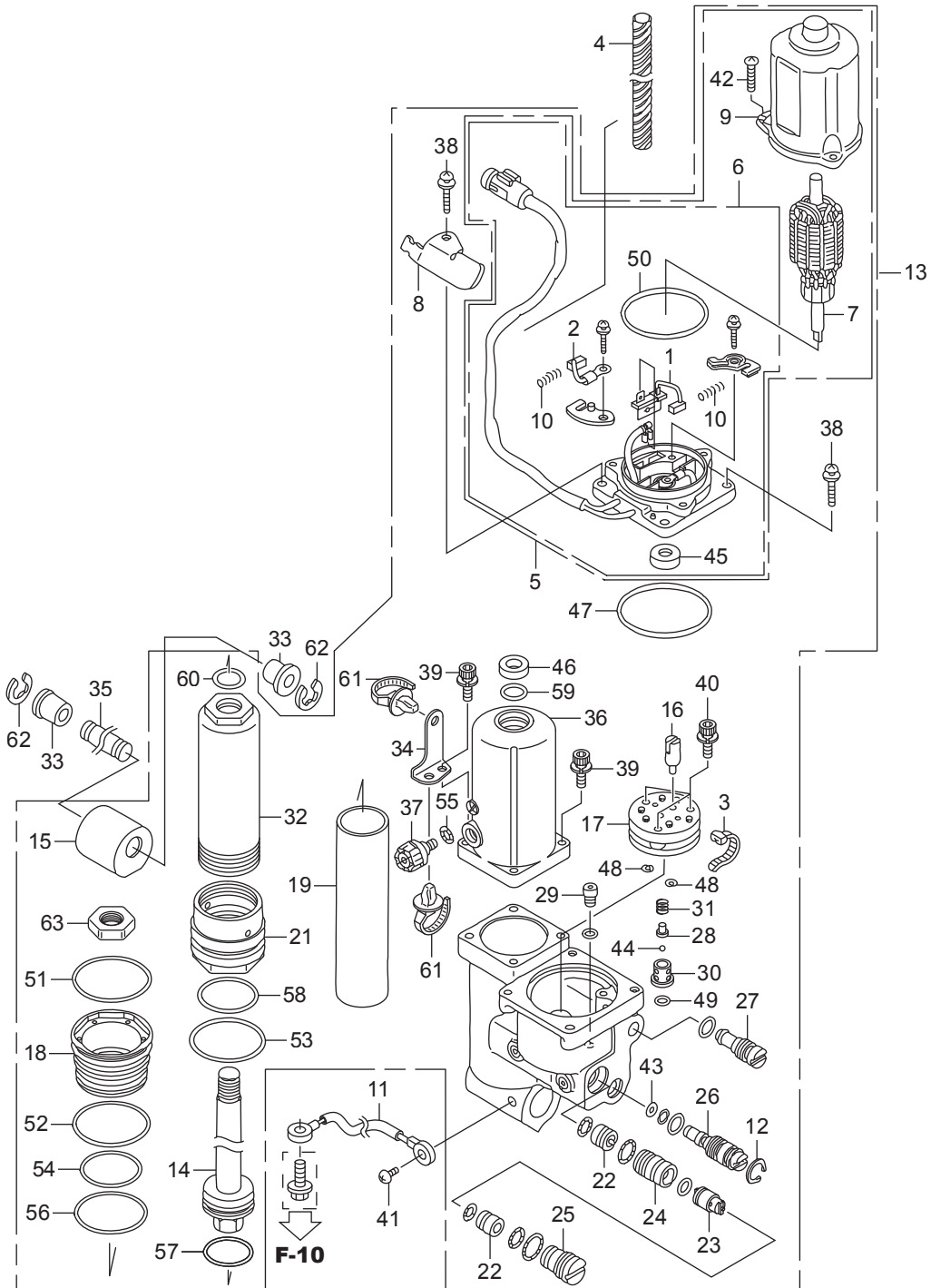


Ref.No.	Part No.	Description	Q'ty		Remarks	
			BFT60A	BFW60A		
F-10	1	HZV5-06411-020	METAL KIT, ANODE	1	1	
F-10	2	HZZ3-35660-003	SENSOR ASSY., TRIM ANGLE	1	1	
F-10	3	HZZ3-50301-010ZC	BRACKET, R. STERN	1	1	*T107* BAY BLUE
F-10	4	HZZ3-50311-000ZC	BRACKET, L. STERN	1	1	*T107* BAY BLUE
F-10	6	HZV5-50335-000	CAP ASSY.	1	1	
F-10	7	HZZ5-50340-000	ROD COMP., ADJUSTING	1	1	
F-10	8	HZV5-50342-300	STOPPER, ROD	1	1	
F-10	9	H921-50343-300	SPRING, ADJUSTING ROD	1	1	
F-10	10	HZZ3-50380-000	SHAFT COMP., TILT	1	1	
F-10	11	HZV5-56118-820	BUSH, MOTOR CODE	1	1	
F-10	12	HZV5-56513-000	BUSH, LOWER CYLINDER	2	2	
F-10	13	HZW9-90009-000	BOLT, FLANGE, 6X23	2	2	
F-10	14	HZV5-90108-000	BOLT, HEX., 10X158	1	1	
F-10	15	HZZ3-90129-000	BOLT, HEX., 12X119	4	4	
F-10	16	HHW1-90215-671	BOLT, FLANGE, 6X16	2	2	
F-10	17	HZV5-90304-013	NUT, SELF-LOCK(7/8-14UNF)	1	1	
F-10	18	HZW4-90306-003	NUT, FLANGE, 10MM	1	1	
F-10	19	HZV5-90502-000	WASHER, WAVE, 26MM	2	2	
F-10	20	H921-90511-000	WASHER, PLAIN, 10MM	1	1	
F-10	21	HZV5-90552-000	WASHER, PLAIN, 12MM	4	4	
F-10	22	HZV5-90559-000	WASHER, PLAIN, 12MM	8	8	
F-10	23	H763-90681-A01	CLIP, WIRE HARNESS	1	1	
F-10	24	HZW6-90751-000	PIN, SPRING, 2.5X8	1	1	
F-10	25	HZV5-91352-000	O-RING, 15.54X2.26	1	1	
F-10	26	HZV5-91556-000	COLLAR, DISTANCE, 10X90	1	1	
F-10	27	HCO-94001-12490-0S	NUT, HEX., 12MM	8	8	



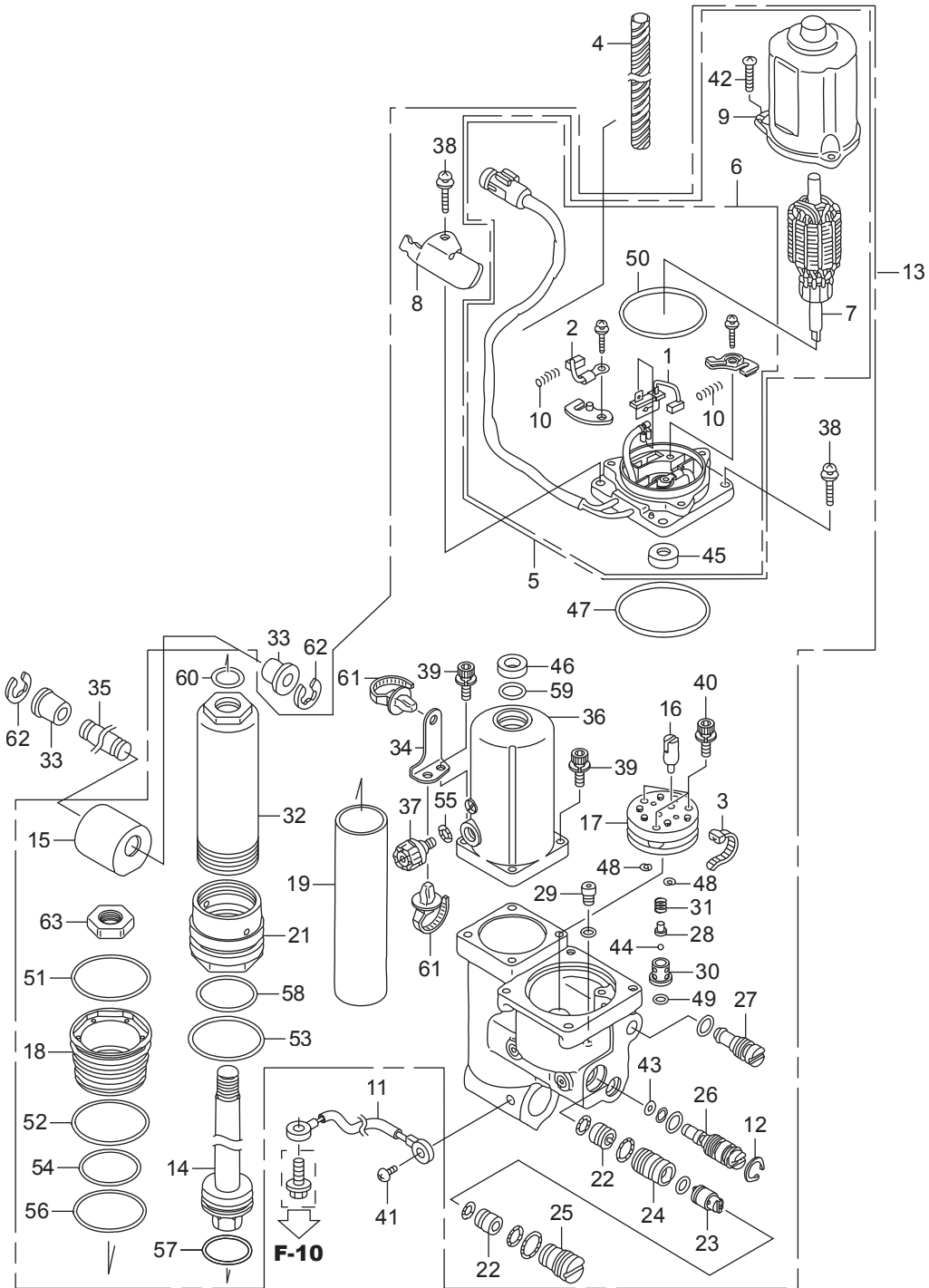
Ref.No.	Part No.	Description	Q' ty		Remarks	
			BFT60A	BFW60A		
F-11	1	HZZ3-50101-000	FRAME, MOUNT	1	1	
F-11	2	HZZ3-50161-000ZE	HOUSING, LOWER CENTER MOUNTING	1	1	*T107* BAY BLUE
F-11	3	HZZ3-50201-000ZC	CASE, SWIVEL	1	1	*T107* BAY BLUE
F-11	4	HZZ5-50211-000	LINER, SWIVEL CASE	2	2	
F-11	6	HZW1-50214-000	BUSH, SWIVEL CASE	2	2	
F-11	9	HZZ3-50417-000	SHAFT, SWIVEL	1	1	
F-11	10	HZV5-50515-000	SPRING, TILT LEVER	1	1	
F-11	11	HZV5-50522-000	BUSH, TILT ARM	2	2	
F-11	12	HZV5-50527-000	BRACKET, TILTING	1	1	
F-11	13	HZZ3-50529-000	STOPPER, TILT	2	2	
F-11	14	HZZ3-53234-000	PLATE, STEERING	1	1	
F-11	15	HZZ3-53238-000	ROD, STEERING		1	
F-11	16	HZZ3-53238-610	ROD, STEERING	1		
F-11						
F-11	18	HZV0-90113-000	BOLT, HEX., 6X35		1	
F-11	19	HZY3-90117-000	BOLT, 3/8-24UNF	1	1	
F-11	20	HZW9-90154-000	BOLT, FLANGE, 10X25	2	2	
F-11	22	HZV5-90302-000	NUT,(3/8-24 UNF)	1	1	
F-11	24	HZV5-90307-003	NUT, SELF-LOCK(3/8-24UNF)	2	2	
F-11	25	HZV5-90501-000	WASHER, WAVE, 40MM	1	1	
F-11	26	HZV5-90504-000	WASHER, THRUST, 34MM	1	1	
F-11	27	HZV4-90506-000	WASHER, PLAIN, 6MM		1	
F-11	28	HZV4-90514-000	WASHER, 10MM	3	3	
F-11	31	HZW4-90651-000	CIRCLIP, EXTERNAL, 39MM	2	2	
F-11	32	HZW6-90752-000	PIN, SPRING, 2.5X20	2	2	
F-11	33	HZV7-90951-010	NIPPLE, GREASE	4	4	
F-11	34	HZV5-91256-003	OIL SEAL, 39.5X52X6(ARAI)	1	1	
F-11	35	HZZ3-91555-000	COLLAR, DISTANCE, 6.5X16X14.5		1	
F-11	36	HZV5-91560-000	COLLAR, STEERING ROD	1	1	

FR. 



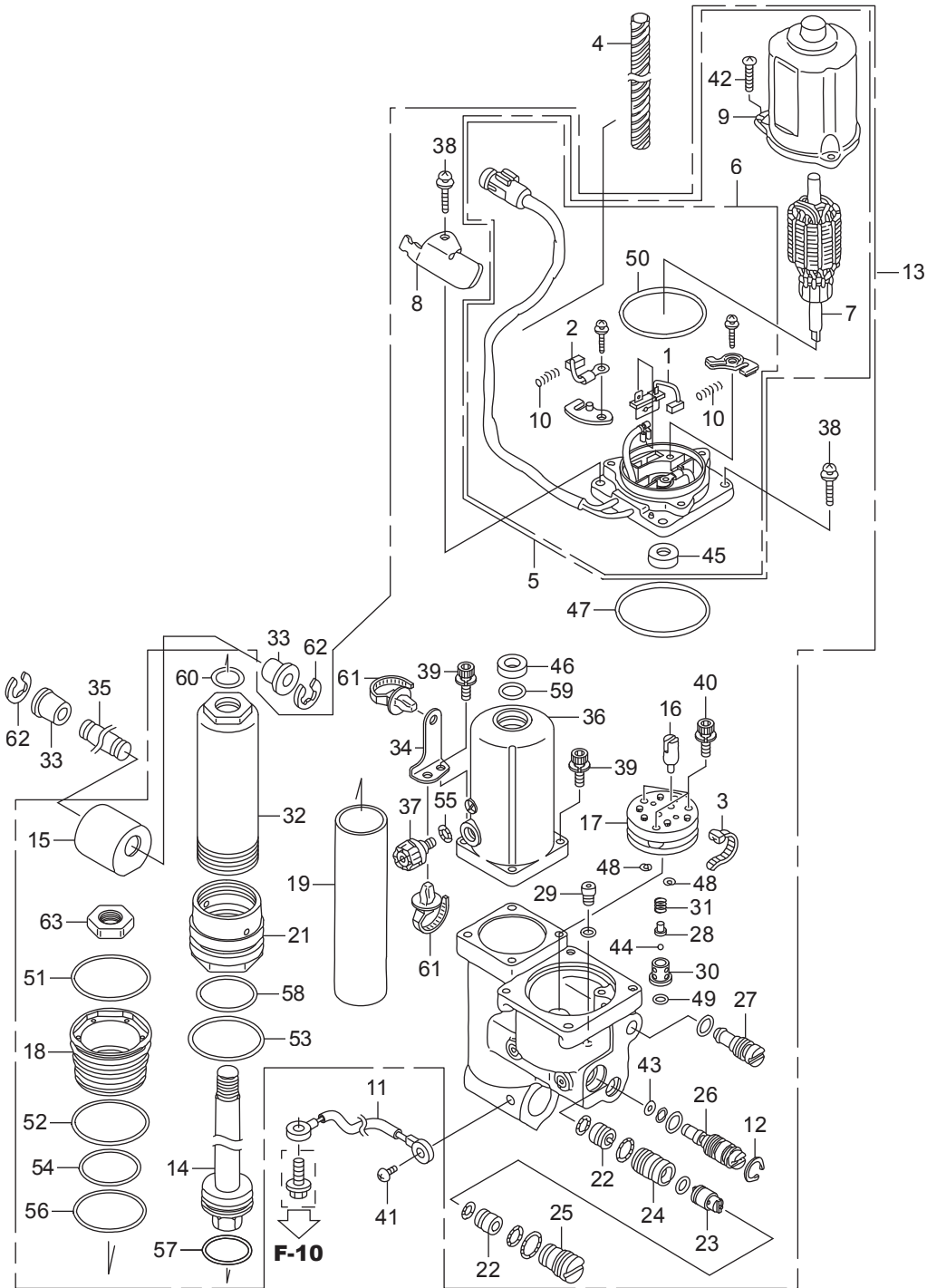


Ref.No.	Part No.	Description	Q'ty		Remarks	
			BFT60A	BFW60A		
F-11-20	1	HZW4-30280-H11	BREAKER ASSY.	1	1	
F-11-20	2	HZY3-31106-003	BRUSH ASSY.	1	1	
F-11-20	3	HMG9-35701-950	BAND(BLACK 3.5X140)	1	1	
F-11-20	4	HZY9-36104-003	TUBE, SPIRAL(12X14.6)	1	1	
F-11-20	5	HZZ3-36120-003	MOTOR ASSY., POWER TILT	1	1	
F-11-20	6	HZZ3-36122-003	BRACKET ASSY.	1	1	
F-11-20	7	HZW4-36123-H12	ARMATURE COMP.	1	1	
F-11-20	8	HZW4-36125-H11	CLAMPER, CORD	1	1	
F-11-20	9	HZV5-36129-822	YOKE COMP.	1	1	
F-11-20	10	HZV5-36136-821	SPRING, MOTOR	2	2	
F-11-20	11	HZY3-40219-013	WIRE, LEAD(1.5X116MM)	1	1	
F-11-20	12	HZY1-53549-871	CIRCLIP, INTERNAL(16)	1	1	
F-11-20	13	HZZ3-56000-033	TRIM-TILT ASSY., POWER	1	1	
F-11-20	14	HZZ3-56110-013	ROD COMP., PISTON	1	1	
F-11-20	15	HZZ3-56113-003	METAL, JOINT	1	1	
F-11-20	16	H766-56113-801	JOINT, DRIVE	1	1	
F-11-20	17	HZW4-56114-H11	PUMP	1	1	
F-11-20	18	HZW4-56115-H11	GUIDE, OUTER TUBE	1	1	
F-11-20	19	HZZ3-56123-003	CYLINDER, TILT	1	1	
F-11-20	21	HZZ3-56135-013	BOTTOM, TILT CYLINDER	1	1	
F-11-20	22	HZZ3-56140-003	VALVE COMP. B	2	2	
F-11-20	23	HZW4-56150-H11	SPOOL COMP.	1	1	
F-11-20	24	HZY1-56161-871	SLEEVE COMP.	1	1	
F-11-20	25	HZZ3-56163-003	PLUG COMP.	1	1	
F-11-20	26	HZZ3-56170-003	VALVE COMP., MANUAL	1	1	
F-11-20	27	HZZ3-56180-003	VALVE COMP.	1	1	
F-11-20	28	HZW4-56182-H11	GUIDE, SPRING	1	1	
F-11-20	29	HZZ3-56190-003	VALVE SET	1	1	
F-11-20	30	HZW4-56191-H11	SEAT B, VALVE	1	1	

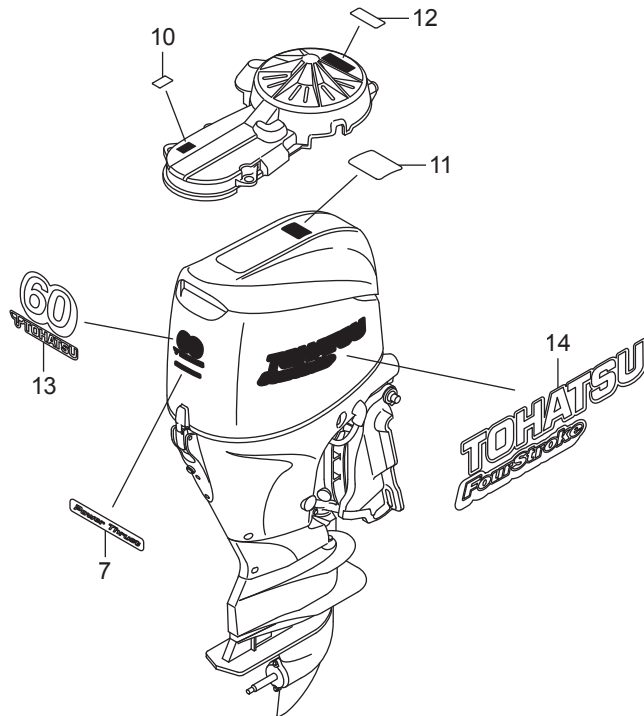
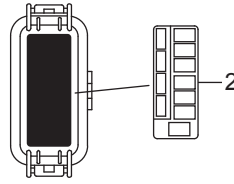
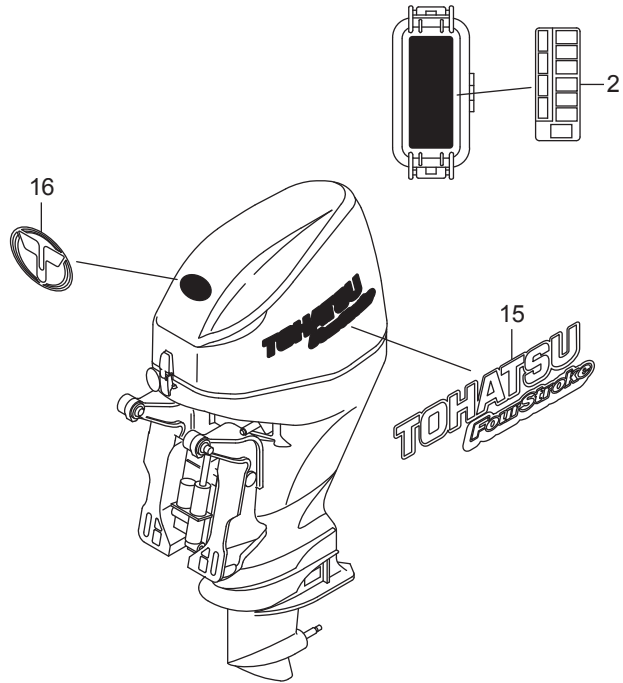


Ref.No.	Part No.	Description	Q' ty		Remarks	
			BFT60A	BFW60A		
F-11-20	31	HZW4-56192-H11	SPRING, VALVE	1	1	
F-11-20	32	HZZ3-56511-003	TUBE, OUTER	1	1	
F-11-20	33	HZV5-56512-000	BUSH, UPPER CYLINDER	2	2	
F-11-20	34	HZW4-56517-H11	PLATE, SET	1	1	
F-11-20	35	HZV5-56532-000	PIN, UPPER CYLINDER	1	1	
F-11-20	36	HZZ3-56851-003	RESERVOIR	1	1	
F-11-20	37	HZZ3-56860-003	CAP, OIL TANK	1	1	
F-11-20	38	HZV5-90001-791	SCREW-WASHER	4	4	
F-11-20	39	HZW4-90111-H11	BOLT, SOCKET, 5X0.8	4	4	
F-11-20	40	HZV5-90115-821	BOLT, SOCKET(B)	3	3	
F-11-20	41	HZV5-90119-000	SCREW, PAN, 6X8	1	1	
F-11-20	42	HZV5-90134-821	SCREW, PAN, 5X20	3	3	
F-11-20	43	HV15-90402-003	WASHER, SEAL	1	1	
F-11-20	44	HZW4-90921-H11	BALL, STEEL	1	1	
F-11-20	45	HZV5-91203-821	OIL SEAL	1	1	
F-11-20	46	HZZ3-91254-003	SEAL, WATER	1	1	
F-11-20	47	HZV5-91302-821	O-RING, 1.8X69.6	1	1	
F-11-20	48	HZV5-91304-821	O-RING, 1.5X6.5	2	2	
F-11-20	49	HZV5-91311-822	O-RING, 1.5X3.5	1	1	
F-11-20	50	HZV5-91318-822	O-RING, 2.0X55.5	1	1	
F-11-20	51	HZW4-91351-H11	O-RING, 2.0X52.5	1	1	
F-11-20	52	HZW4-91352-H11	O-RING, 2.0X49.5	1	1	
F-11-20	53	HZZ3-91353-003	O-RING, 3.5X41.7	1	1	
F-11-20	54	HZZ3-91354-003	O-RING, 2.4X41.2	1	1	
F-11-20	55	HZW4-91355-H11	O-RING, 1.8X10.8	1	1	
F-11-20	56	HZZ3-91355-003	O-RING, 2.0X45.5	1	1	
F-11-20	57	HZW4-91356-H11	O-RING, 2.0X28.5	1	1	
F-11-20	58	HZW4-91357-H11	O-RING, 2.0X34.5	1	1	
F-11-20	59	HZZ3-91357-003	O-RING, 1.9X15.8	1	1	

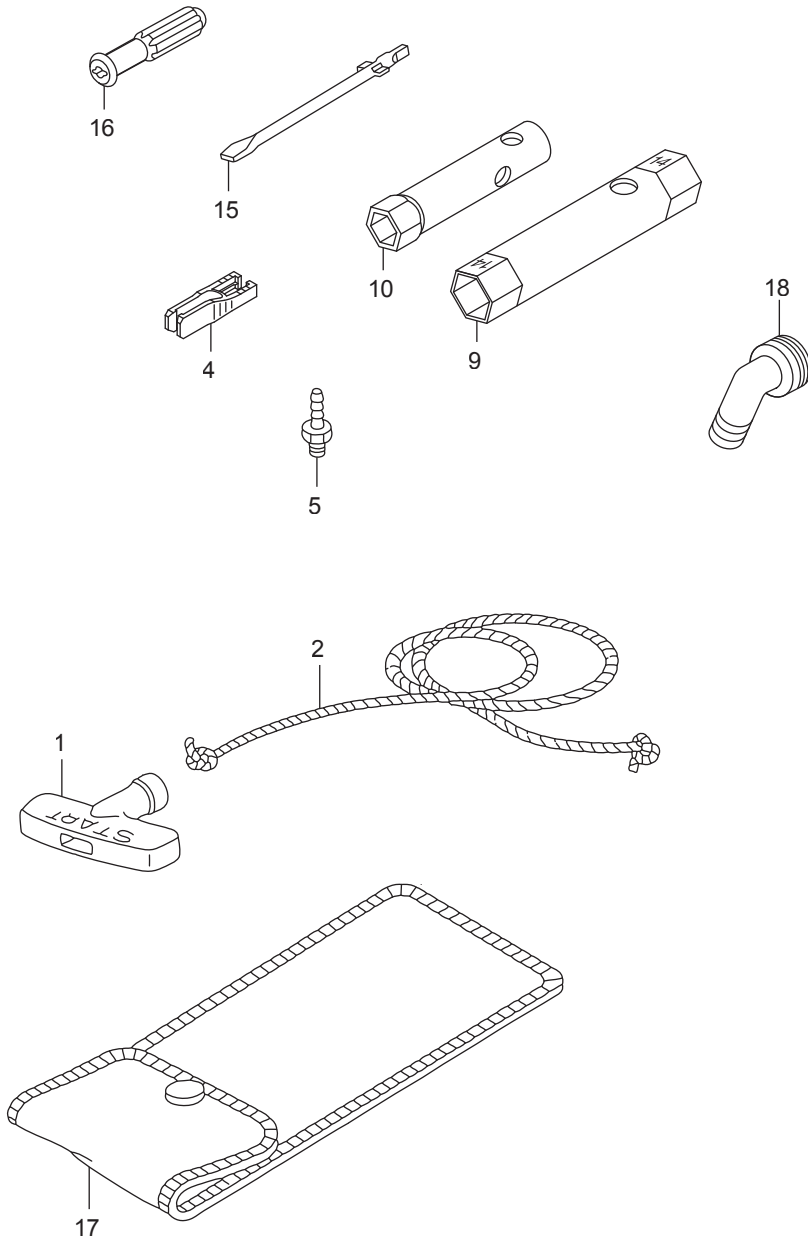
FR. 





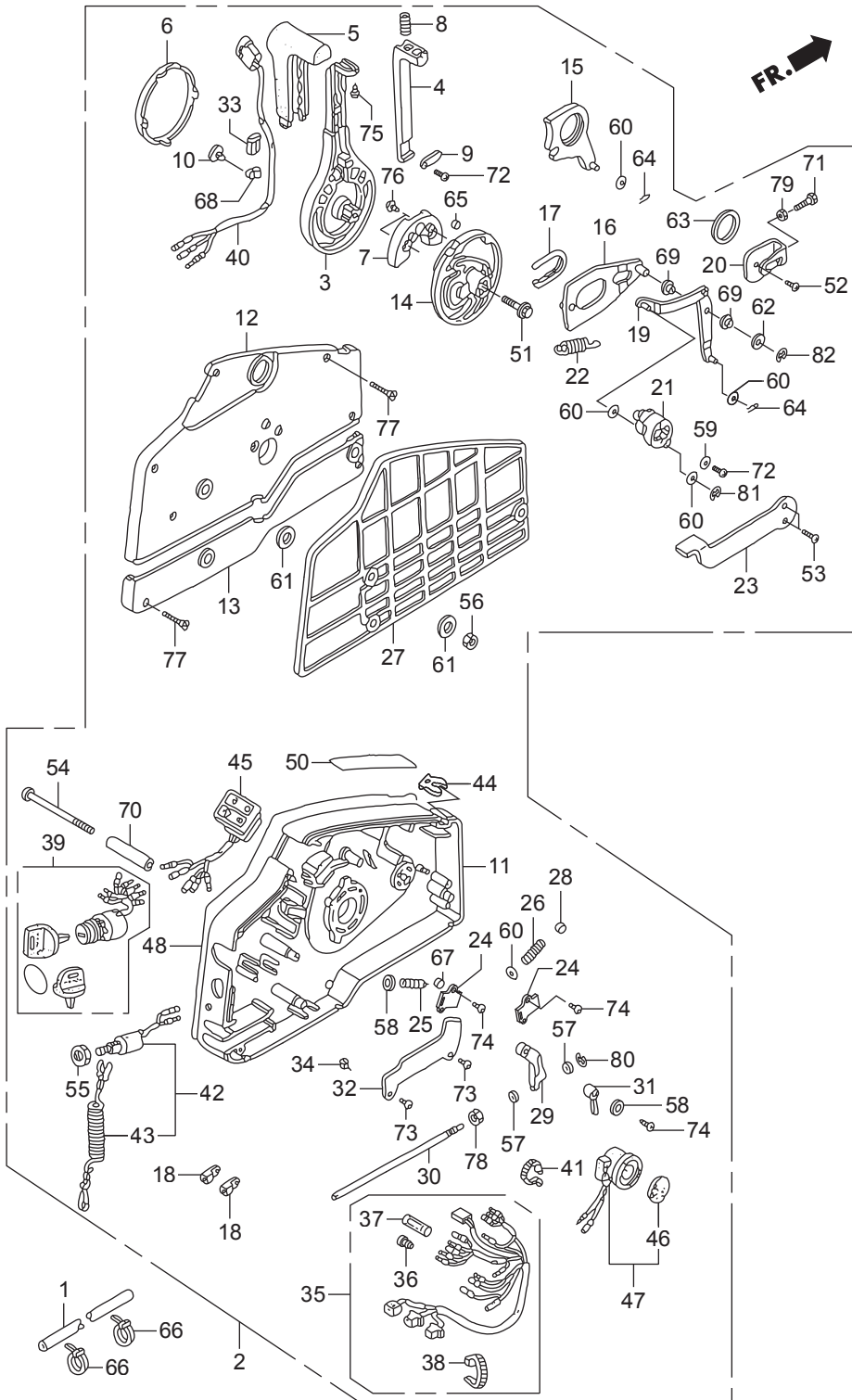




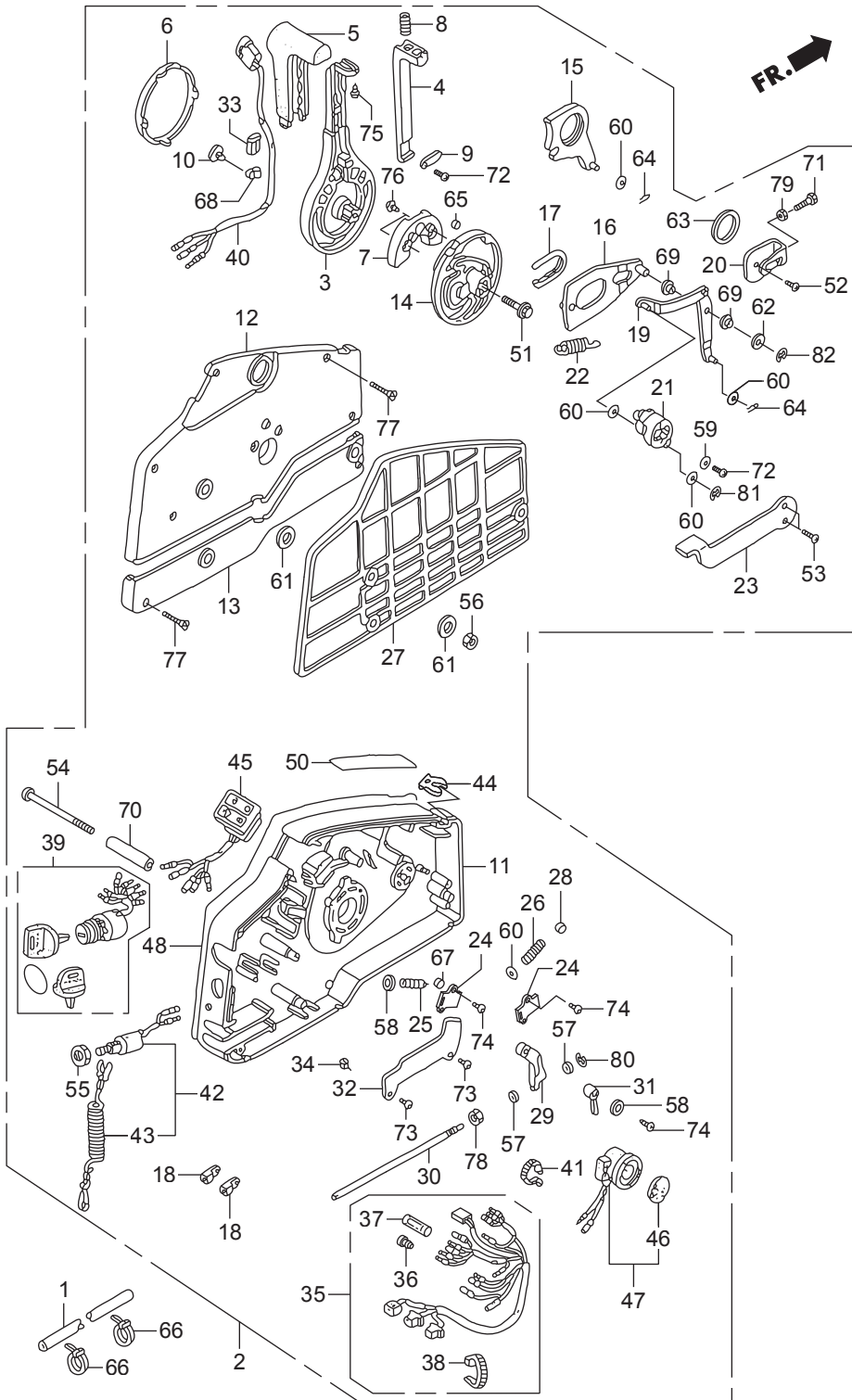




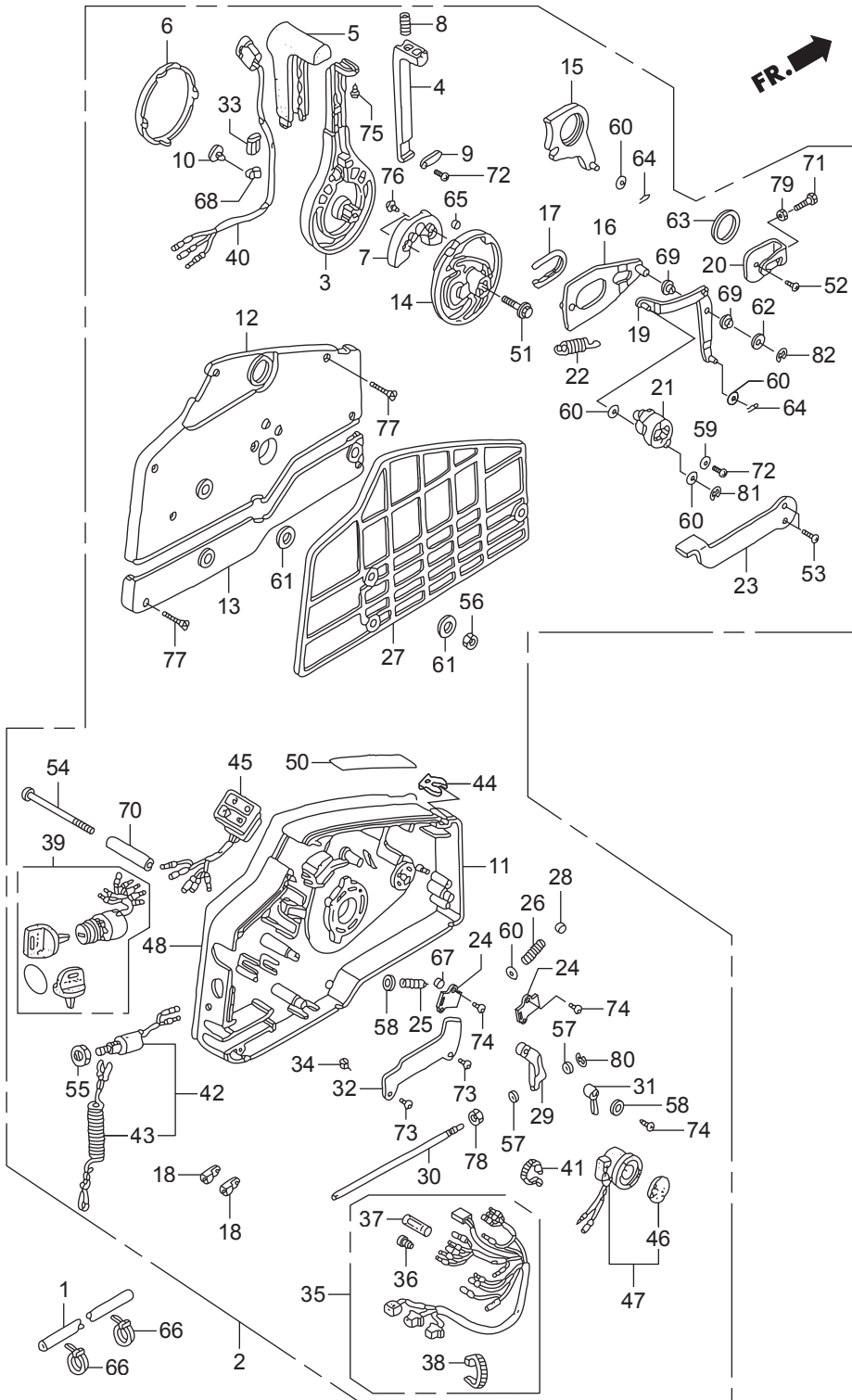




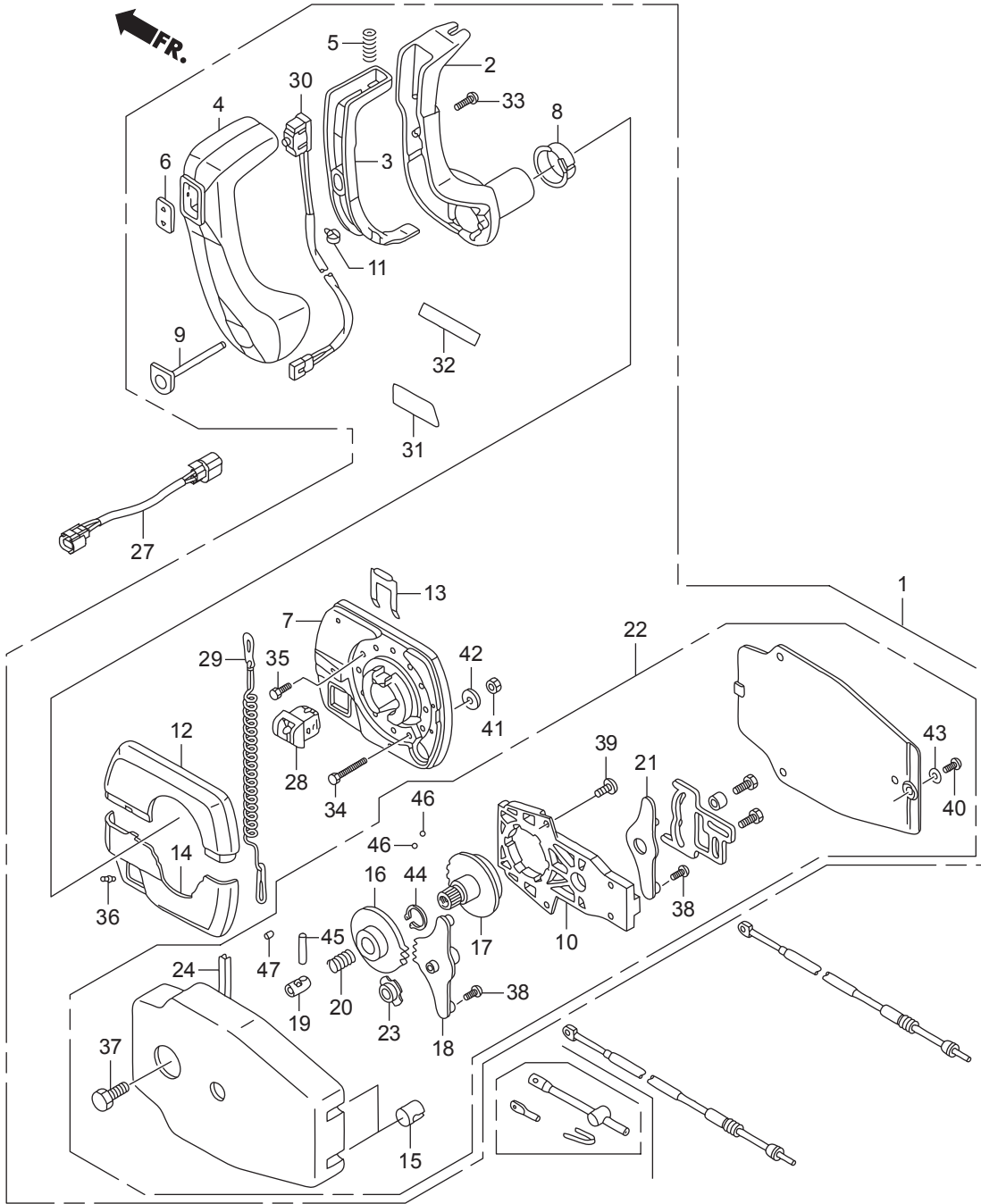
Ref.No.	Part No.	Description	Q'ty		Remarks	
			BFT60A	BFW60A		
F-15	1	HZW1-17736-000	TUBE, CORRUGATE(28MM)	1	1	
F-15	2	HZZ3-24800-R00	BOX ASSY., REMOTE CONTROL(EU)	1	1	
F-15	3	HZV5-24811-010	HANDLE, REMOTE CONTROL	1	1	
F-15	4	HZV5-24812-000	LEVER, HANDLE LOCK	1	1	
F-15	5	HZV5-24813-000	GRIP, REMOTE CONTROL HANDLE	1	1	
F-15	6	HZV5-24814-010	CAP, HANDLE	1	1	
F-15	7	HZV5-24815-010	BLOCK, NEUTRAL LOCK	1	1	
F-15	8	HZV5-24816-000	SPRING, REMOTE CONTROL HANDLE	1	1	
F-15	9	HZV5-24817-000	PLATE, LEVER SETTING	1	1	
F-15	10	HZV5-24818-003	CLAMP, HARNESS	1	1	
F-15	11	HZV5-24820-010	HOUSING COMP., REMOTE CONTROL	1	1	BOX(A)
F-15	12	HZV5-24830-010	HOUSING COMP., REMOTE CONTROL	1	1	BOX(B)
F-15	13	HZV5-24836-000	HOUSING, REMOTE CONTROL BOX(C)	1	1	
F-15	14	HZV5-24841-000	WHEEL, CONTROL	1	1	
F-15	15	HZV5-24845-000	ARM COMP., SHIFT LINK	1	1	
F-15	16	HZV5-24850-000	PLATE COMP., SLIDING	1	1	
F-15	17	HZV5-24854-000	COLLAR, SLIDING PLATE	1	1	
F-15	18	HZV5-24855-000	PIVOT, SHIFT	2	2	
F-15	19	HZV5-24860-000	ARM COMP., LINK JOINT	1	1	
F-15	20	HZV5-24865-000	BRACKET, LINK JOINT	1	1	
F-15	21	HZV5-24875-000	WHEEL, ACCELERATOR	1	1	
F-15	22	HZV5-24876-000	SPRING, ACCELERATOR WHEEL	1	1	
F-15	23	HZV5-24878-000	LEVER, IDLE	1	1	
F-15	24	HZV5-24881-000	PLATE, SPRING SETTING	2	2	
F-15	25	HZV5-24883-000	SPRING, SHIFT CLICK	1	1	
F-15	26	HZV5-24884-000	SPRING, CHOKE RETURN	1	1	
F-15	27	HZV5-24885-000	SPACER, REMOTE CONTROL BOX	1	1	
F-15	28	HZV5-24887-000	SPACER, CLICK SPRING	1	1	
F-15	29	HZV5-24891-000	BLOCK, THROTTLE FRICTION	1	1	



Ref.No.	Part No.	Description	Q' ty		Remarks	
			BFT60A	BFW60A		
F-15	30	HZV5-24892-000	BOLT, FRICTION	1	1	
F-15	31	HZV5-24894-000	SPACER, NEUTRAL SWITCH	1	1	
F-15	32	HZV5-24895-000	CLAMP, POWER TILT CORD	1	1	
F-15	33	HZV5-24897-000	PIPE, HARNESS GUIDE	1	1	
F-15	34	HZV5-24898-000	SPACER, CABLE CLAMP	1	1	
F-15	35	HZZ5-32530-000	CABLE ASSY., REMOTE CONTROL(B)	1	1	
F-15	36	HZV5-32823-003	PLUG, INNER CONNECTOR	7	7	
F-15	37	HZV5-32824-003	PLUG, OUTER CONNECTOR	1	1	
F-15	38	H952-32901-770	TIE, CABLE(NATURAL)(2.4X92)	1	1	
F-15	39	HZZ3-35100-R11	SWITCH ASSY., COMBINATION	1	1	
F-15	40	HZV5-35370-823	SWITCH ASSY., POWER TRIM-TILT	1	1	
F-15	41	HMG9-35701-950	BAND(BLACK 3.5X140)	1	1	
F-15	42	HZV5-36180-033	SWITCH ASSY., EMERGENCY STOP	1	1	
F-15	43	HZV4-36182-651	CORD COMP., EMERGENCY	1	1	
F-15	44	HZV4-36187-652	CLIP, EMERGENCY LOCK	1	1	
F-15	45	HZZ5-37210-013	LAMP ASSY., INDICATION	1	1	
F-15	46	H341-38403-672	PLATE, WINKER BUZZER	1	1	
F-15	47	HZV5-38410-003	BUZZER COMP., WARNING	1	1	
F-15	48	HZZ3-87701-R00	PLATE, REMOTE CONTROL	1	1	
F-15	50	HZW9-87702-800	MARK, FAST IDLE	1	1	
F-15	51	HZW9-90008-000	BOLT, FLANGE, 8X35	1	1	
F-15	52	HMM4-90105-000	SCREW, PAN, 6X10	1	1	
F-15	53	HZW4-90108-000	SCREW, FLAT, 5X12	2	2	
F-15	54	HZV5-90125-000	SCREW, 6X95	3	3	
F-15	55	H921-90302-000	NUT, HEX., 16MM	1	1	
F-15	56	HZV4-90304-000	NUT, HEX., 6MM	3	3	
F-15	57	HZW4-90401-000	WASHER, PLAIN, 4MM	2	2	
F-15	58	HZW4-90402-000	WASHER, PLAIN, 5MM	2	2	
F-15	59	HZV4-90502-000	WASHER, PLAIN, 5MM	1	1	

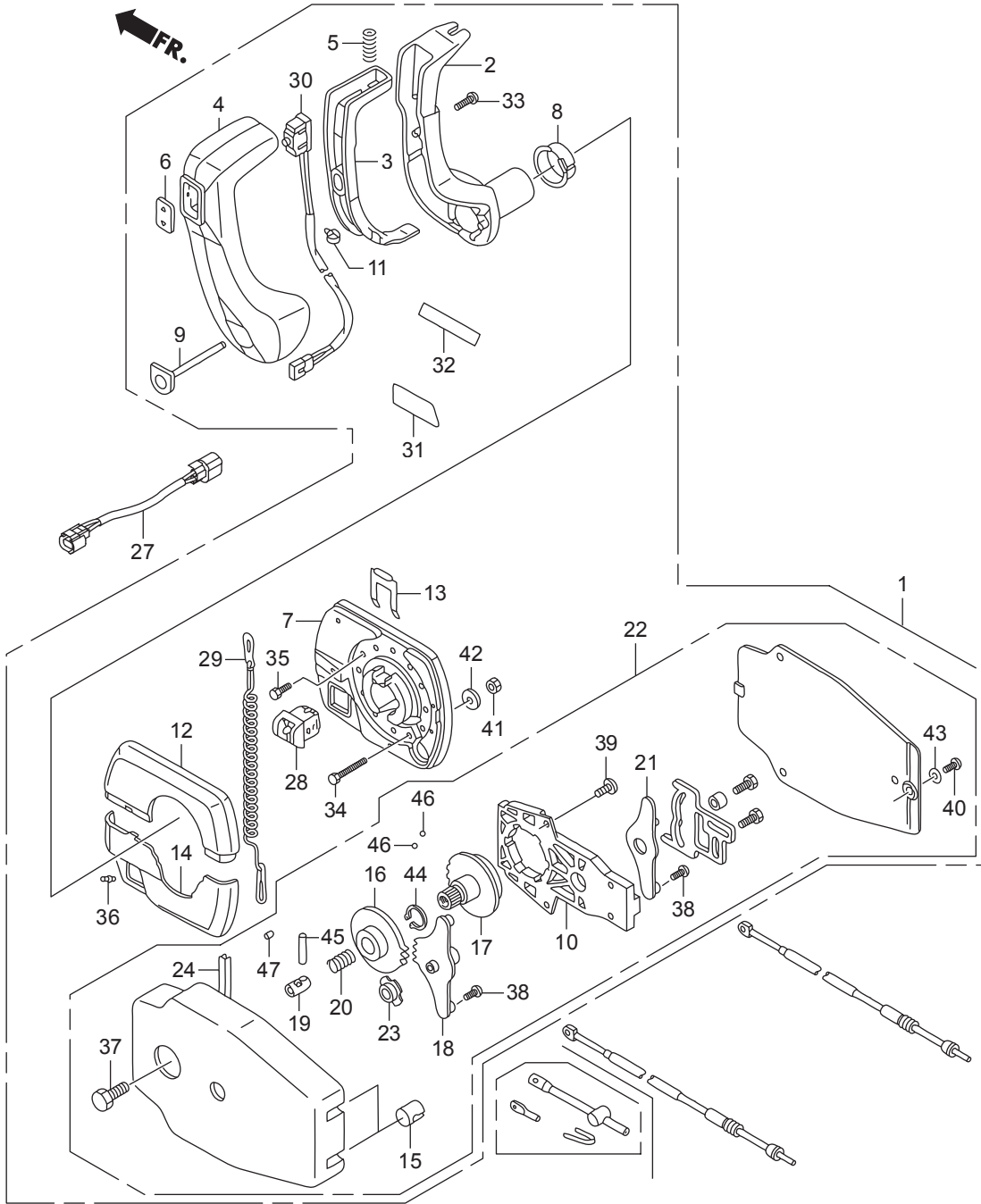


Ref.No.	Part No.	Description	Q' ty		Remarks	
			BFT60A	BFW60A		
F-15	60	H921-90504-010	WASHER, PLAIN, 6MM	5	5	
F-15	61	H921-90512-010	WASHER, 6MM	6	6	
F-15	62	H921-90518-000	WASHER, PLAIN, 8MM	1	1	
F-15	63	HZV5-90557-000	WASHER, 28MM	1	1	
F-15	64	HZV5-90751-000	PIN, LOCK, 6MM	2	2	
F-15	65	HZV5-90772-000	PIN, 6X6	1	1	
F-15	66	HMG9-91058-681	BAND, SELF LOCK	2	2	
F-15	67	HZV5-91151-000	ROLLER, CLICK	1	1	
F-15	68	HSB6-91475-000	CLIP, WIRE HARNESS(6.3MM)	1	1	
F-15	69	HZV5-91567-000	COLLAR, LINK JOINT	2	2	
F-15	70	HZV5-91570-000	COLLAR, DISTANCE, 6X10X43.5	3	3	
F-15	71	HCO-92101-05016-4J	BOLT, HEX., 5X16	1	1	
F-15	72	HCO-93500-05010-4J	SCREW, PAN, 5X10	2	2	
F-15	73	HCO-93901-250J0	SCREW, TAPPING, 5X8	2	2	
F-15	74	HCO-93901-251J0	SCREW, TAPPING, 5X10	3	3	
F-15	75	HCO-93901-252J0	SCREW, TAPPING, 5X12	1	1	
F-15	76	HCO-93903-262J0	SCREW, TAPPING, 6X16	2	2	
F-15	77	HCO-93905-255J0	SCREW, TAPPING, 5X25	7	7	
F-15	78	HCO-94001-06490-0S	NUT, HEX., 6MM	1	1	
F-15	79	HCO-94002-05490-0S	NUT, HEX., 5MM	1	1	
F-15	80	HCO-94540-03029	E-RING, 3MM	1	1	
F-15	81	HCO-94540-04029	E-RING, 4MM	1	1	
F-15	82	HCO-94540-07029	E-RING, 7MM	1	1	





Ref.No.	Part No.	Description	Q' ty		Remarks	
			BFT60A	BFW60A		
F-15-1	1	HZW1-24800-V21	BOX ASSY., REMOTE CONTROL	1	1	(PANEL MOUNT)
F-15-1	2	HZW1-24811-V21	HANDLE, REMOTE CONTROL	1	1	
F-15-1	3	HZW1-24812-V21	LEVER, HANDLE LOCK	1	1	
F-15-1	4	HZW1-24813-V21	GRIP, REMOTE CONTROL HANDLE	1	1	
F-15-1	5	HZW1-24816-V21	SPRING, REMOTE CONTROL HANDLE	1	1	
F-15-1	6	HZW1-24819-V21	COVER, GRIP	1	1	
F-15-1	7	HZW1-24820-V21	HOUSING ASSY., REMOTE CONTROL	1	1	BOX(A)
F-15-1	8	HZW1-24821-003	BUSHING	1	1	
F-15-1	9	HZW1-24822-V21	BUTTON, THROTTLE	1	1	
F-15-1	10	HZW1-24825-V01	FRAME ASSY., REMOTE CONTROL	1	1	BOX
F-15-1	11	HZW1-24829-003	BAND, CABLE(B)	1	1	
F-15-1	12	HZW1-24830-V21	HOUSING, REMOTE CONTROL BOX(B)	1	1	
F-15-1	13	HZW1-24834-003	RETAINER	1	1	
F-15-1	14	HZW1-24836-V21	HOUSING, REMOTE CONTROL BOX(C)	1	1	
F-15-1	15	HZW1-24839-V01	GROMMET	2	2	
F-15-1	16	HZW1-24841-V01	WHEEL, CONTROL	1	1	
F-15-1	17	HZW1-24843-V01	SHAFT, HANDLE	1	1	
F-15-1	18	HZW1-24845-V01	ARM ASSY., SHIFT LINK	1	1	
F-15-1	19	HZW1-24847-V01	SHAFT, GEAR SHIFT	1	1	
F-15-1	20	HZW1-24848-V01	SPRING, GEAR SHIFT	1	1	
F-15-1	21	HZW1-24865-V01	ARM ASSY., THROTTLE LINK	1	1	
F-15-1	22	HZW1-24870-V21	HOUSING ASSY., INNER	1	1	(PANEL MOUNT)
F-15-1	23	HZW1-24873-V01	BUSH	1	1	
F-15-1	24	HZW1-24883-V01	SPRING, SHIFT CLICK	5	5	
F-15-1	27	HZW5-32167-650	HARNES ASSY., POWER TRIM-TILT	1	1	
F-15-1	28	HZW1-35180-003	SWITCH ASSY., EMERGENCY STOP	1	1	
F-15-1	29	HZW1-35182-003	CORD COMP., EMERGENCY	1	1	
F-15-1	30	HZW1-35370-V01	SWITCH ASSY., POWER TRIM-TILT	1	1	(A)
F-15-1	31	HZW1-87705-003	MARK, REMOTE CONTROL(A)(PANEL)	1	1	





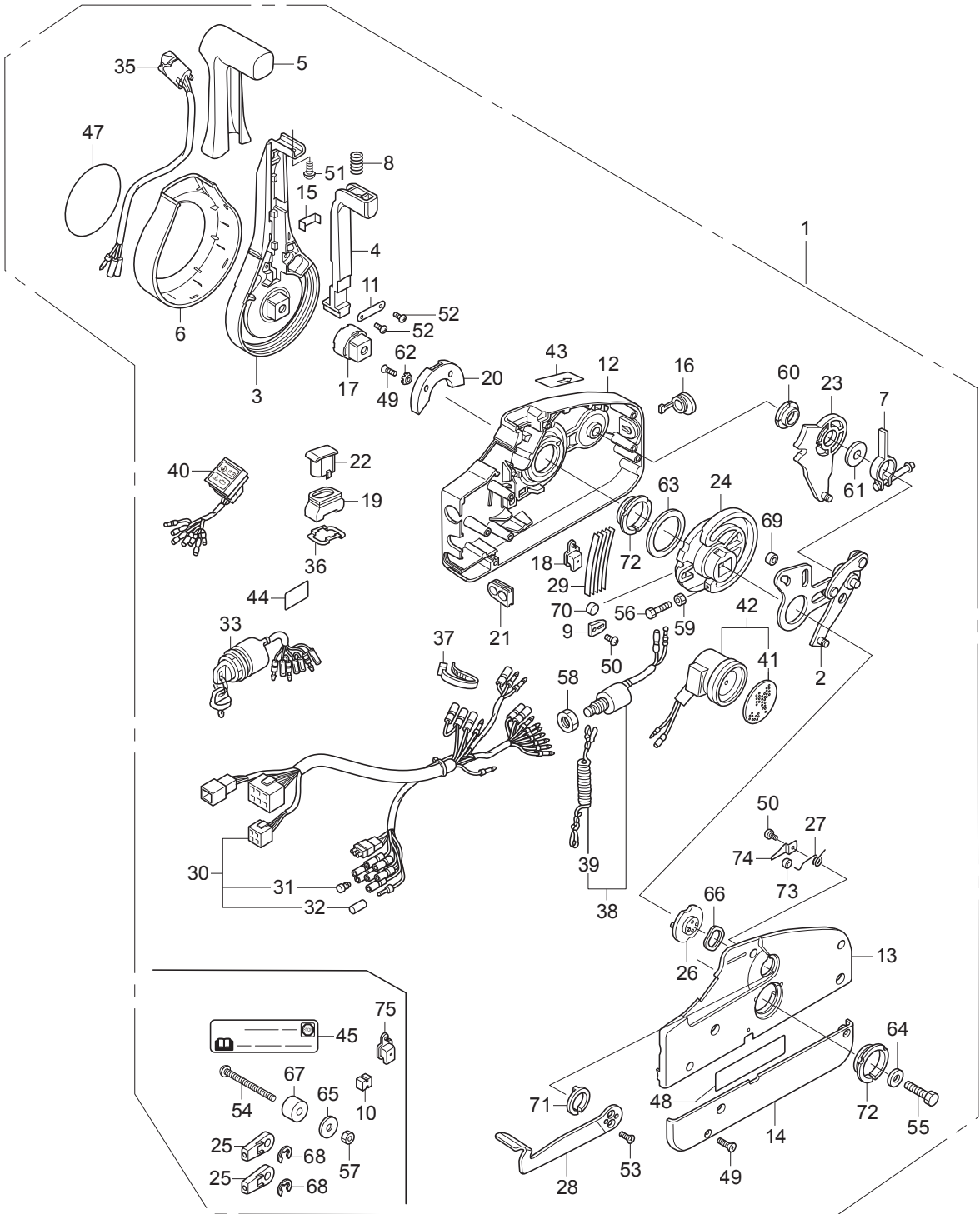


Ref.No.	Part No.	Description	Q'ty		Remarks	
			BFT60A	BFW60A		
F-15-2	1	HZZ3-24800-P12	BOX ASSY., REMOTE CONTROL(NHK MEC)	1	1	
F-15-2	2	HZZ5-24810-D01	PLATE ASSY.	1	1	
F-15-2	3	HZZ5-24811-D01	LEVER, HAND	1	1	
F-15-2	4	HZZ5-24812-D01	ARM, NEUTRAL LOCK	1	1	
F-15-2	5	HZZ5-24813-D01	GRIP	1	1	
F-15-2	6	HZZ5-24814-D01	COVER, LEVER	1	1	
F-15-2	7	HZZ5-24815-D01	ARM ASSY., BRAKE	1	1	
F-15-2	8	HZZ5-24816-D01	SPRING(2)	1	1	
F-15-2	9	HZZ5-24817-D01	CLIP, DETENT	1	1	
F-15-2	10	HZZ5-24818-D01	SPACER(1)(LOOSE PARTS)	1	1	
F-15-2	11	HZZ5-24819-D01	BRACKET	1	1	
F-15-2	12	HZZ5-24821-D01	HOUSING, FR.	1	1	
F-15-2	13	HZZ5-24822-D01	HOUSING, RR.	1	1	
F-15-2	14	HZZ5-24823-D01	PANEL, BACK	1	1	
F-15-2	15	HZZ5-24824-D01	BRACKET, WIRE CLAMP	1	1	
F-15-2	16	HZZ5-24826-D01	CAP, RUBBER	1	1	
F-15-2	17	HZZ5-24827-D01	ADJUSTER	1	1	
F-15-2	18	HZZ5-24828-D01	COVER, POWER TRIM-TILT WIRE	1	1	
F-15-2	19	HZZ5-24829-D01	SEAL, RUBBER	1	1	
F-15-2	20	HZZ5-24831-D01	HOLDER, NEUTRAL LOCK	1	1	
F-15-2	21	HZZ5-24832-D01	GROMMET, WIRE(14)	1	1	
F-15-2	22	HZZ5-24833-D01	CAP, TROLLING CONTROL SWITCH BLANK	1	1	
F-15-2	23	HZZ5-24845-D01	GEAR ASSY., SHIFT	1	1	
F-15-2	24	HZZ5-24850-D01	GEAR, DRIVE	1	1	
F-15-2	25	HZZ5-24855-D01	TERMINAL, CABLE(LOOSE PARTS)	2	2	
F-15-2	26	HZZ5-24875-D01	DRUM ASSY., FREE THROTTLE	1	1	
F-15-2	27	HZZ5-24876-D01	SPRING(1)	1	1	
F-15-2	28	HZZ5-24878-D01	LEVER, FREE THROTTLE	1	1	
F-15-2	29	HZZ5-24883-D01	SPRING, DETENT	5	5	



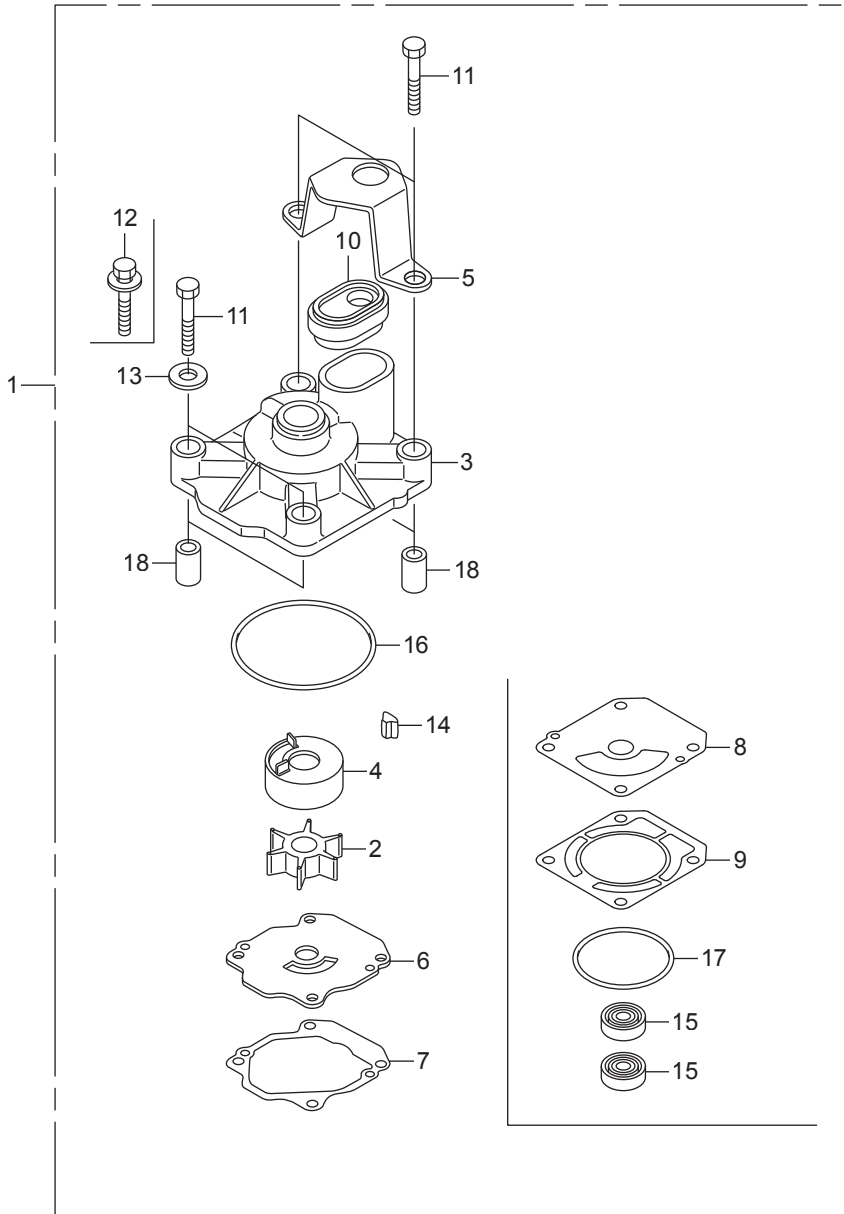
Ref.No.	Part No.	Description	Q'ty		Remarks	
			BFT60A	BFW60A		
F-15-2	30	HZZ5-32530-D01	CABLE ASSY., REMOTE CONTROL(B)	1	1	
F-15-2	31	HZV5-32823-003	PLUG, INNER CONNECTOR	7	7	
F-15-2	32	HZV5-32824-003	PLUG, OUTER CONNECTOR	1	1	
F-15-2	33	HZZ3-35100-R11	SWITCH ASSY., COMBINATION	1	1	
F-15-2	35	HZZ5-35370-D02	SWITCH ASSY., POWER TRIM-TILT	1	1	
F-15-2	36	HZZ3-35645-A41	PLATE, SWITCH	1	1	
F-15-2	37	HZZ5-35701-D01	BAND, WIRE	1	1	
F-15-2	38	HZV5-36180-033	SWITCH ASSY., EMERGENCY STOP	1	1	
F-15-2	39	HZV4-36182-651	CORD COMP., EMERGENCY	1	1	
F-15-2	40	HZZ5-37210-D01	LAMP ASSY., INDICATION	1	1	
F-15-2	41	H341-38403-672	PLATE, WINKER BUZZER	1	1	
F-15-2	42	HZV5-38410-003	BUZZER COMP., WARNING	1	1	
F-15-2	43	HZZ5-87701-D00	MARK, FAST IDLE	1	1	
F-15-2	44	HZZ5-87702-A00	MARK, EMERGENCY STOP(US)	1	1	
F-15-2	45	HZZ5-87702-A00	MARK, EMERGENCY STOP(US)(LOOSE PARTS)	1	1	
F-15-2	47	HZZ5-87703-P00	MARK, EMBLEM	1	1	
F-15-2	48	HZZ5-87704-D01	LABEL, SIGP	1	1	
F-15-2	49	HZZ5-90101-D01	SCREW, 5X18	7	7	
F-15-2	50	HZZ5-90102-D01	SCREW, 4X6	2	2	
F-15-2	51	HZZ5-90103-D01	SCREW, 5X10	1	1	
F-15-2	52	HZZ5-90104-D01	SCREW, 4X10	2	2	
F-15-2	53	HZZ5-90106-D01	SCREW, 5X12	2	2	
F-15-2	54	HZZ5-90107-D01	SCREW, 6X90(LOOSE PARTS)	3	3	
F-15-2	55	HZZ5-90108-D01	BOLT, 8X50	1	1	
F-15-2	56	HZZ5-90109-D01	BOLT, 5X25	1	1	
F-15-2	57	HZZ5-90301-D01	NUT, 6MM(LOOSE PARTS)	3	3	
F-15-2	58	H921-90302-000	NUT, HEX., 16MM	1	1	
F-15-2	59	HZZ5-90302-D01	NUT, 5MM	1	1	
F-15-2	60	HZZ5-90501-D01	BEARING(1)	1	1	

REMOTE CONTROL  
(NHK MEC) (HANDLE CAP = CHROME)

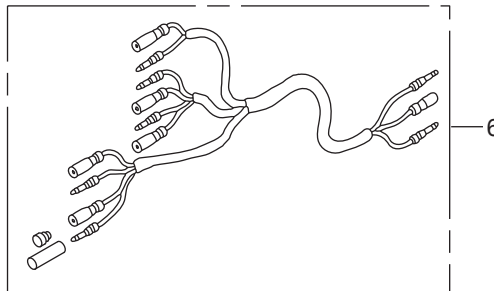
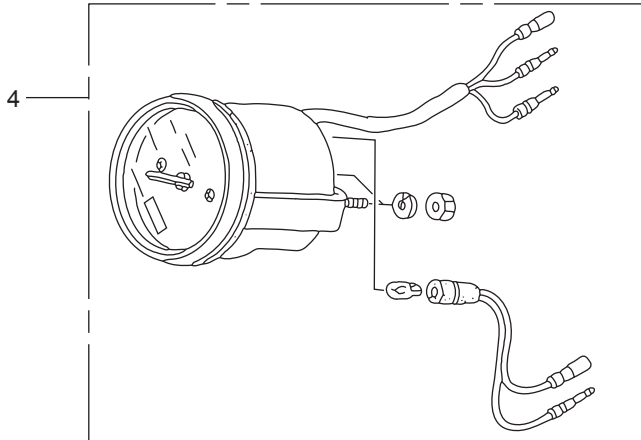
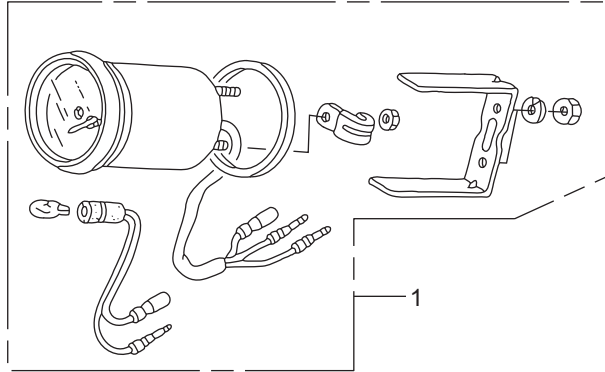




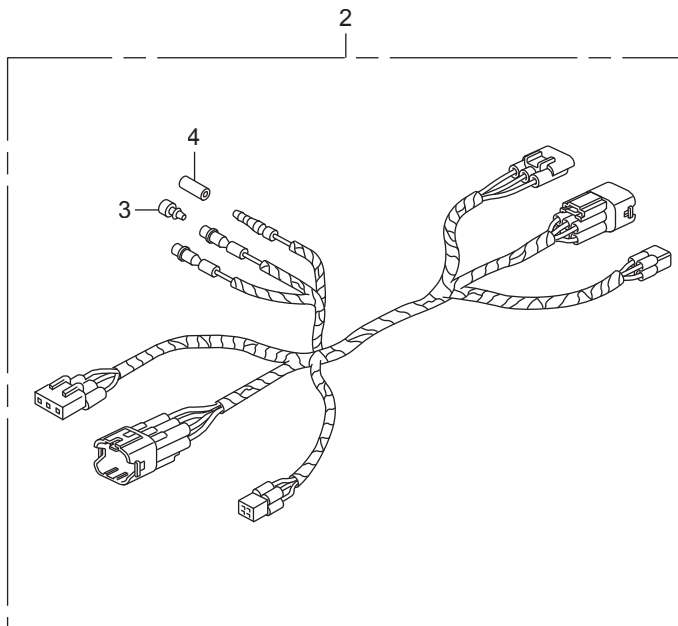
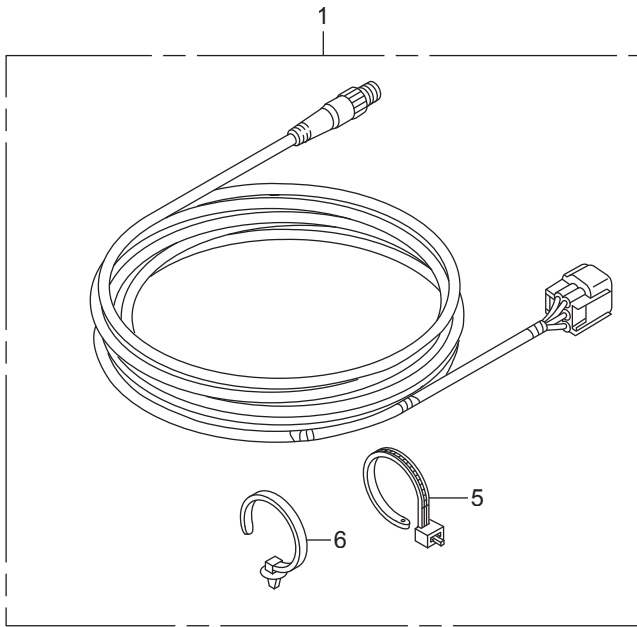




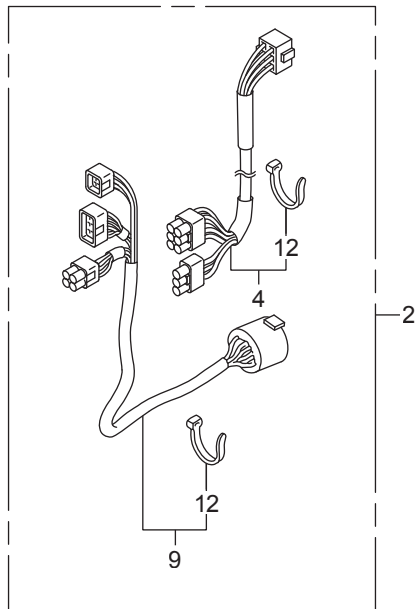
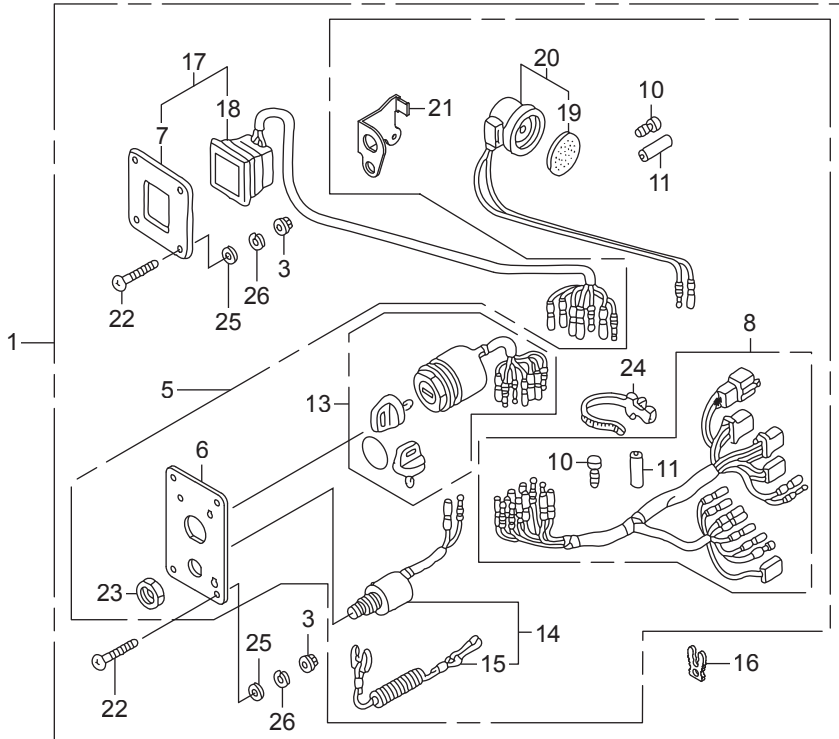
Ref.No.	Part No.	Description	Q' ty		Remarks
			BFT60A	BFW60A	
FOP-1	1	HZZ3-06193-010	PUMP KIT, IMPELLER	1	
FOP-1	1	HZZ3-06194-000	PUMP KIT, IMPELLER		1 (POWER THRUST)
FOP-1	2	HZV5-19210-003	IMPELLER, PUMP	1	1
FOP-1	3	HZZ3-19221-000	HOUSING, IMPELLER	1	1
FOP-1	4	HZZ3-19223-000	LINER, PUMP	1	1
FOP-1	5	HZZ3-19228-000	HOLDER, WATER TUBE SEAL	1	1
FOP-1	6	HZZ3-19231-000	COVER, IMPELLER	1	1
FOP-1	7	HZZ3-19234-000	GASKET, IMPELLER	1	
FOP-1	8	HZZ3-19234-E00	GASKET B, IMPELLER		1 (POWER THRUST)
FOP-1	9	HZW1-19242-B00	GASKET, WATER PUMP		1
FOP-1	10	HZZ3-19253-000	RUBBER, WATER TUBE SEAL	1	1
FOP-1	11	H881-90116-000	BOLT, HEX., 8X40	2	
FOP-1	11	HZV5-90010-000	BOLT, HEX., 8X55		4
FOP-1	12	HZY6-90116-000	BOLT-WASHER, 8X40	2	
FOP-1	13	H921-90514-000	WASHER, 8MM		2
FOP-1	14	HZV5-90752-003	KEY, WOODRUFF	1	1
FOP-1	15	HZZ3-91253-003	SEAL, WATER, 23X36X6		2
FOP-1	16	HZZ3-91356-000	O-RING, WATER PUMP	1	1
FOP-1	17	HMB0-91359-000	O-RING, 58.5X3.5		1
FOP-1	18	HZY6-91552-000	COLLAR, DISTANCE	4	4





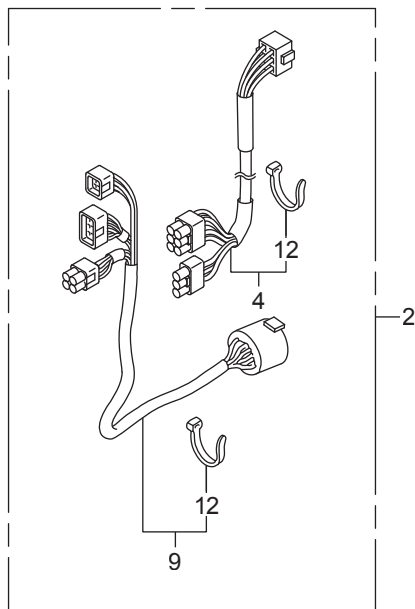
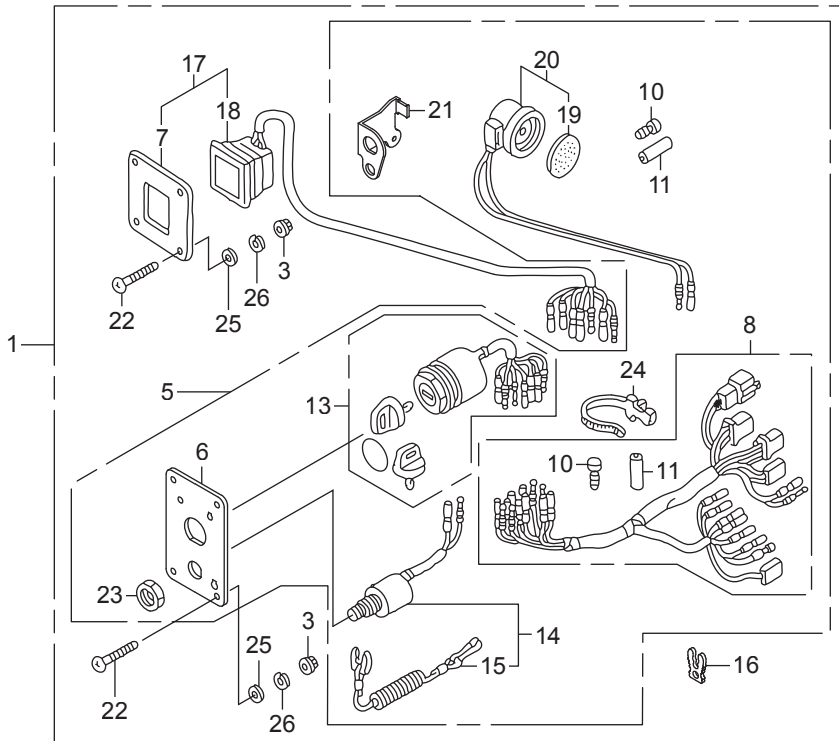




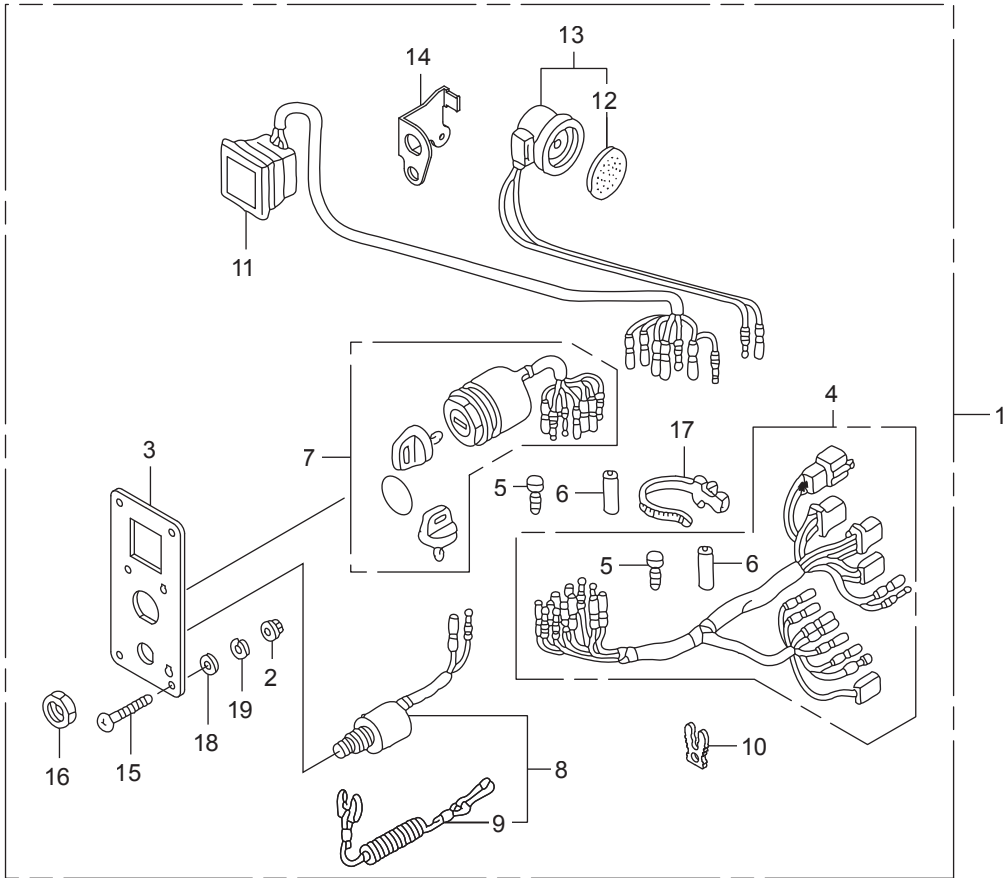




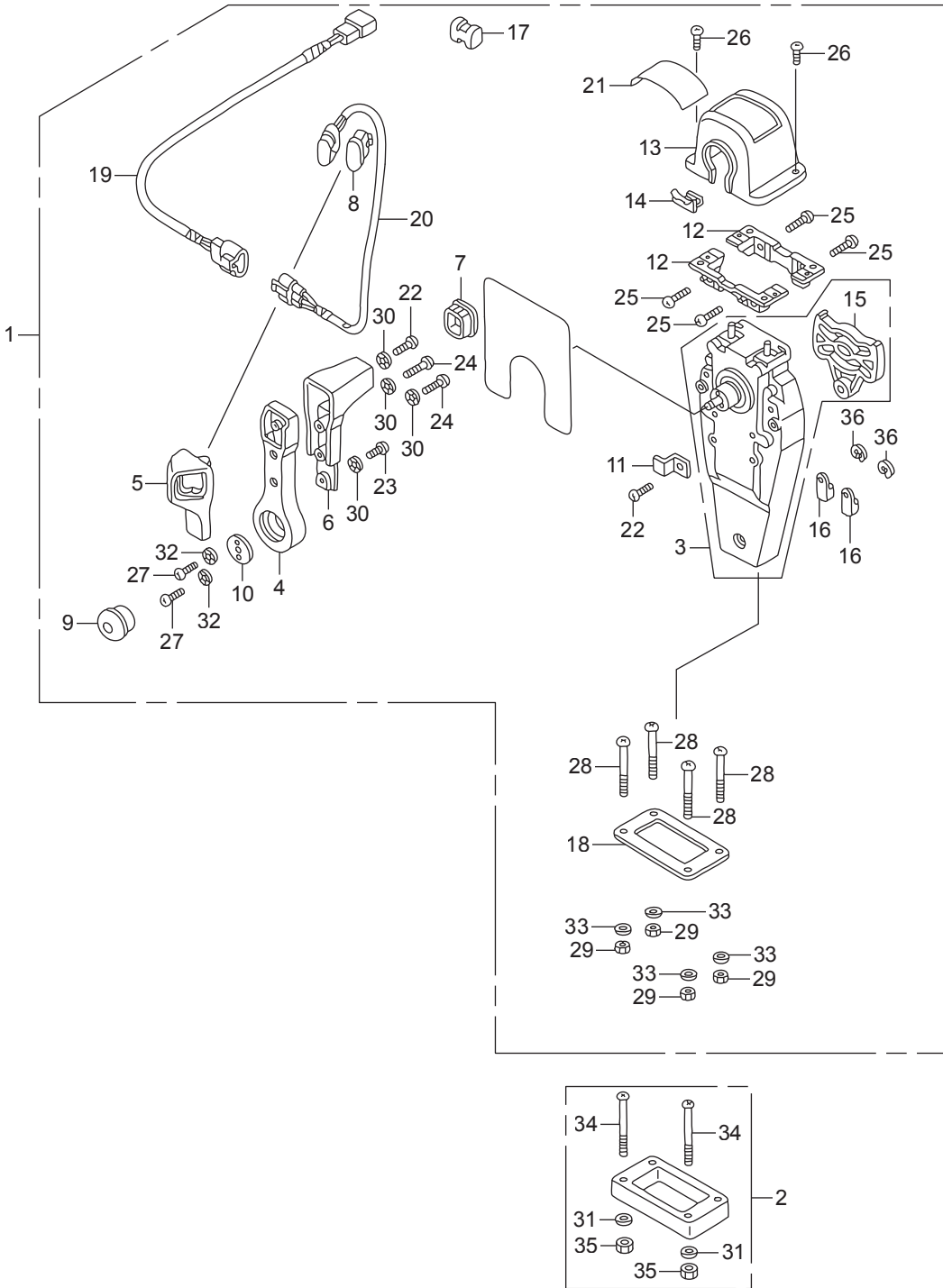
Ref.No.	Part No.	Description	Q'ty		Remarks	
			BFT60A	BFW60A		
FOP-3	1	HZZ3-06323-R20	PANEL KIT, SWITCH(B)(4-LED)	1	1	
FOP-3	2	HZZ5-06325-600	CABLE SET, PANEL INDICATOR	1	1	(20FT)
FOP-3	2	HZZ5-06325-700	CABLE SET, PANEL INDICATOR	1	1	(25FT)
FOP-3	2	HZZ5-06325-800	CABLE SET, PANEL INDICATOR	1	1	(30FT)
FOP-3	3	HMT8-18334-770	NUT, FLANGE, 5MM	8	8	
FOP-3	4	HZZ5-32185-600	CORD ASSY., INDICATOR(20FT)	1	1	
FOP-3	4	HZZ5-32185-700	CORD ASSY., INDICATOR(25FT)	1	1	
FOP-3	4	HZZ5-32185-800	CORD ASSY., INDICATOR(30FT)	1	1	
FOP-3	5	HZZ3-32341-R31	PANEL ASSY., SWITCH	1	1	
FOP-3	6	HZZ3-32346-R21	PANEL, CONTROL	1	1	
FOP-3	7	HZZ3-32347-R01	PANEL, CONTROL	1	1	
FOP-3	8	HZZ5-32545-000	HARNESS ASSY., SWITCH PANEL	1	1	
FOP-3	9	HZZ5-32580-600	CABLE ASSY., SWITCH PANEL	1	1	(20FT)
FOP-3	9	HZZ5-32580-700	CABLE ASSY., SWITCH PANEL	1	1	(25FT)
FOP-3	9	HZZ5-32580-800	CABLE ASSY., SWITCH PANEL	1	1	(30FT)
FOP-3	9	HZZ5-32580-D01	CABLE ASSY., SWITCH PANEL(20FT)(NHK MEC)	1	1	
FOP-3	9	HZZ5-32580-D11	CABLE ASSY., SWITCH PANEL(25FT)(NHK MEC)	1	1	
FOP-3	9	HZZ5-32580-D21	CABLE ASSY., SWITCH PANEL(30FT)(NHK MEC)	1	1	
FOP-3	10	HZV5-32823-003	PLUG, INNER CONNECTOR	8	8	
FOP-3	11	HZV5-32824-003	PLUG, OUTER CONNECTOR	3	3	
FOP-3	12	H952-32901-770	TIE, CABLE(NATURAL)(2.4X92)	6	6	
FOP-3	13	HZZ3-35100-R11	SWITCH ASSY., COMBINATION	1	1	
FOP-3	14	HZV5-36180-033	SWITCH ASSY., EMERGENCY STOP	1	1	
FOP-3	15	HZV4-36182-651	CORD COMP., EMERGENCY	1	1	
FOP-3	16	HZV4-36187-652	CLIP, EMERGENCY LOCK	1	1	
FOP-3	17	HZZ3-37205-R01	PANEL ASSY., INDICATOR(4-LED)	1	1	
FOP-3	18	HZZ5-37210-762	LAMP ASSY., INDICATION(4-LED)	1	1	
FOP-3	19	H341-38403-672	PLATE, WINKER BUZZER	1	1	
FOP-3	20	HZV5-38410-003	BUZZER COMP., WARNING	1	1	



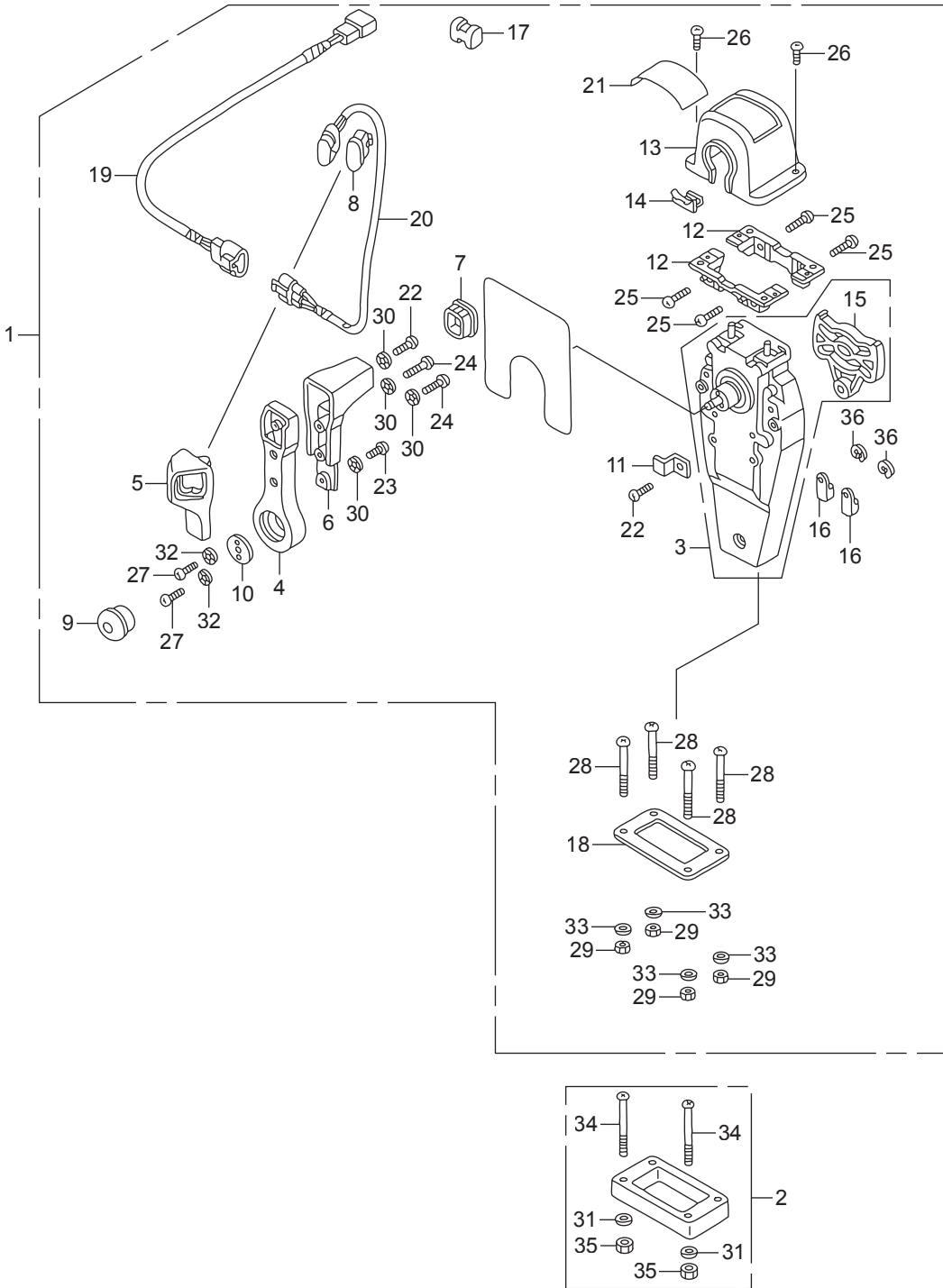
Ref.No.	Part No.	Description	Q' ty		Remarks	
			BFT60A	BFW60A		
FOP-3	21	HZZ5-38414-003	BRACKET, BUZZER	1	1	
FOP-3	22	HZW5-90109-000	SCREW, PAN, 5X40	8	8	
FOP-3	23	H921-90302-000	NUT, HEX., 16MM	1	1	
FOP-3	24	HSC2-90649-003	BAND, WIRE HARNESS(NATURAL)	1	1	(150MM)
FOP-3	25	HCO-94103-05400	WASHER, PLAIN, 5MM	8	8	
FOP-3	26	HCO-94111-05400	WASHER, SPRING, 5MM	8	8	



Ref.No.	Part No.	Description	Q'ty		Remarks	
			BFT60A	BFW60A		
FOP-3-1	1	HZZ3-06323-R30	PANEL KIT, SWITCH(4-LED)	1	1	
FOP-3-1	2	HMT8-18334-770	NUT, FLANGE, 5MM	4	4	
FOP-3-1	3	HZZ3-32346-R31	PANEL, CONTROL	1	1	
FOP-3-1	4	HZZ5-32545-000	HARNESS ASSY., SWITCH PANEL	1	1	
FOP-3-1	5	HZV5-32823-003	PLUG, INNER CONNECTOR	8	8	
FOP-3-1	6	HZV5-32824-003	PLUG, OUTER CONNECTOR	3	3	
FOP-3-1	7	HZZ3-35100-R11	SWITCH ASSY., COMBINATION	1	1	
FOP-3-1	8	HZV5-36180-033	SWITCH ASSY., EMERGENCY STOP	1	1	
FOP-3-1	9	HZV4-36182-651	CORD COMP., EMERGENCY	1	1	
FOP-3-1	10	HZV4-36187-652	CLIP, EMERGENCY LOCK	1	1	
FOP-3-1	11	HZZ5-37210-712	LAMP ASSY., INDICATION(4-LED)	1	1	
FOP-3-1	12	H341-38403-672	PLATE, WINKER BUZZER	1	1	
FOP-3-1	13	HZV5-38410-003	BUZZER COMP., WARNING	1	1	
FOP-3-1	14	HZZ5-38414-003	BRACKET, BUZZER	1	1	
FOP-3-1	15	HZW5-90109-000	SCREW, PAN, 5X40	4	4	
FOP-3-1	16	H921-90302-000	NUT, HEX., 16MM	1	1	
FOP-3-1	17	HSC2-90649-003	BAND, WIRE HARNESS(NATURAL)	1	1	(150MM)
FOP-3-1	18	HCO-94103-05400	WASHER, PLAIN, 5MM	4	4	
FOP-3-1	19	HCO-94111-05400	WASHER, SPRING, 5MM	4	4	



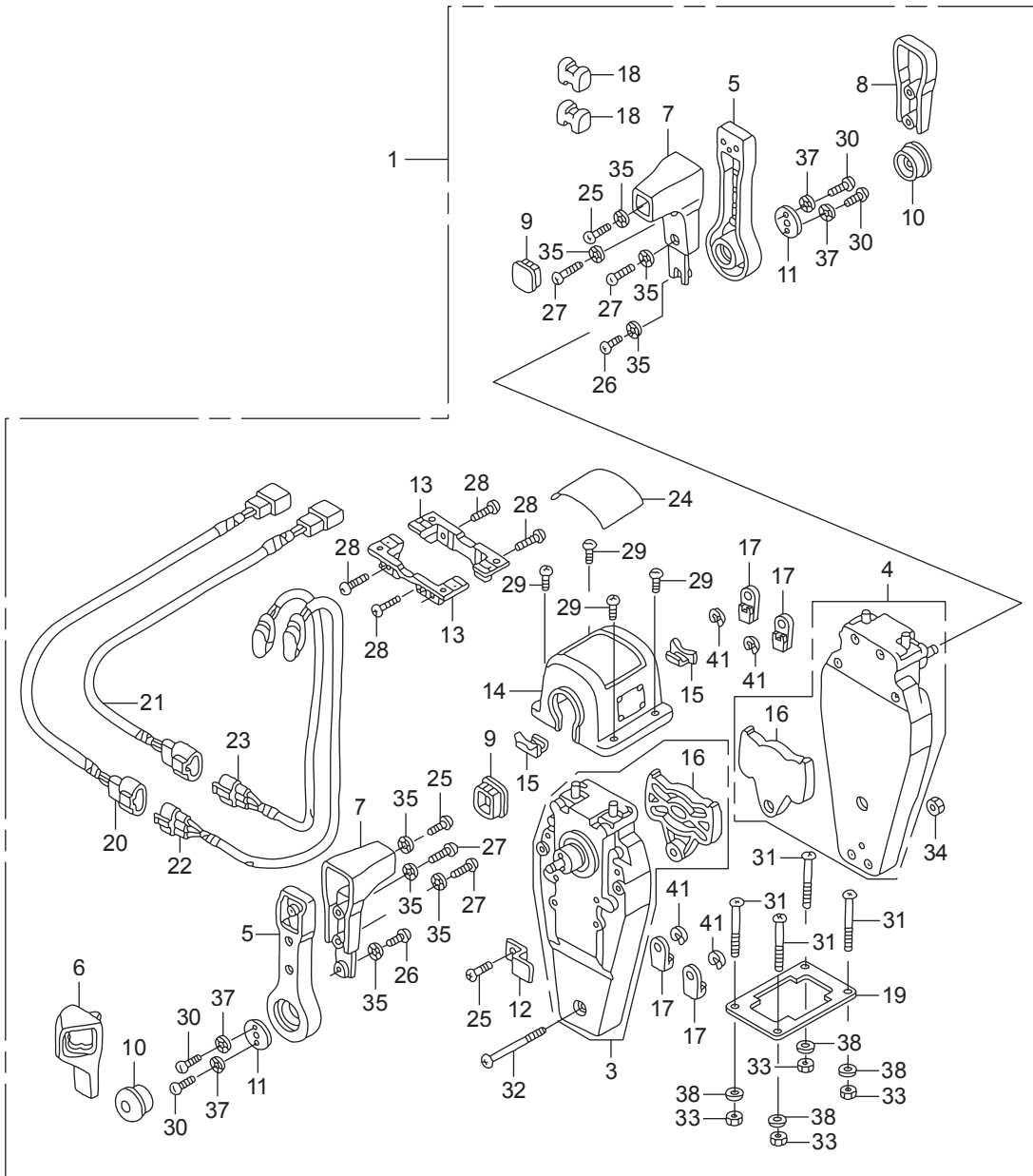
Ref.No.	Part No.	Description	Q'ty		Remarks	
			BFT60A	BFW60A		
FOP-4	1	HZZ3-06240-R30	BOX KIT, REMOTE CONTROL	1	1	(TOP MOUNT SINGLE)(R.)
FOP-4	2	HZW5-06241-U00	SPACER KIT, REMOTE CONTROL BOX	1	1	(TOP MOUNT SINGLE)
FOP-4	3	HZW5-24810-U01	HOUSING ASSY., L. INNER	1	1	(TOP MOUNT)
FOP-4	4	HZW5-24811-U01	HANDLE, REMOTE CONTROL	1	1	
FOP-4	5	HZW5-24812-U01	COVER, L. GRIP	1	1	
FOP-4	6	HZW5-24813-U01	GRIP, REMOTE CONTROL HANDLE	1	1	
FOP-4	7	HZW5-24814-U01	CAP, GRIP	1	1	
FOP-4	8	HZW5-24815-U01	CAP, SWITCH	1	1	
FOP-4	9	HZW5-24816-U01	BUTTON, THROTTLE	1	1	
FOP-4	10	HZW5-24817-U01	PLATE, HANDLE	1	1	
FOP-4	11	HZW5-24818-U01	PLATE, CABLE CLAMP	1	1	
FOP-4	12	HZW5-24819-U01	BRACKET, REMOTE CONTROL	2	2	HOUSING
FOP-4	13	HZZ3-24820-R11	HOUSING COMP., REMOTE CONTROL	1	1	BOX
FOP-4	14	HZW5-24825-U01	HOUSING, LEAD	1	1	
FOP-4	15	HZW5-24826-U01	PLATE, DWELL	1	1	
FOP-4	16	HZW5-24831-U01	TERMINAL, CABLE	2	2	
FOP-4	17	HZW5-24832-U01	SPACER, CABLE CLAMP	1	1	
FOP-4	18	HZW5-24834-U01	PACKING, SINGLE	1	1	
FOP-4	19	HZW7-32530-U00	SUB HARNESS ASSY., POWER	1	1	TRIM-TILT(A)
FOP-4	20	HZW5-35370-U02	SWITCH ASSY., POWER TRIM-TILT	1	1	(A)
FOP-4	21	HZZ3-87703-R81	MARK, REMOTE CONTROL(SINGLE)	1	1	
FOP-4	22	HZW5-90101-U00	SCREW, PAN, 5X16	2	2	
FOP-4	23	HZW5-90102-U00	SCREW, PAN, 5X10	1	1	
FOP-4	24	HZW5-90103-U01	SCREW, PAN, 5X20	2	2	
FOP-4	25	HZW5-90104-U00	SCREW, PAN, 5X18	4	4	
FOP-4	26	HZW5-90105-U01	SCREW, PAN, 4X10	2	2	
FOP-4	27	HZW5-90106-U00	SCREW, PAN, 6X18	2	2	
FOP-4	28	HZW5-90107-U00	SCREW, PAN, 5X40	4	4	
FOP-4	29	HZW5-90301-U00	NUT, HEX., 5MM	4	4	





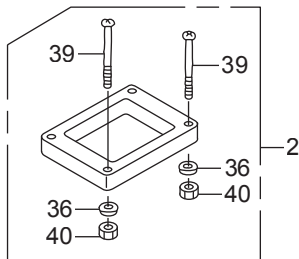
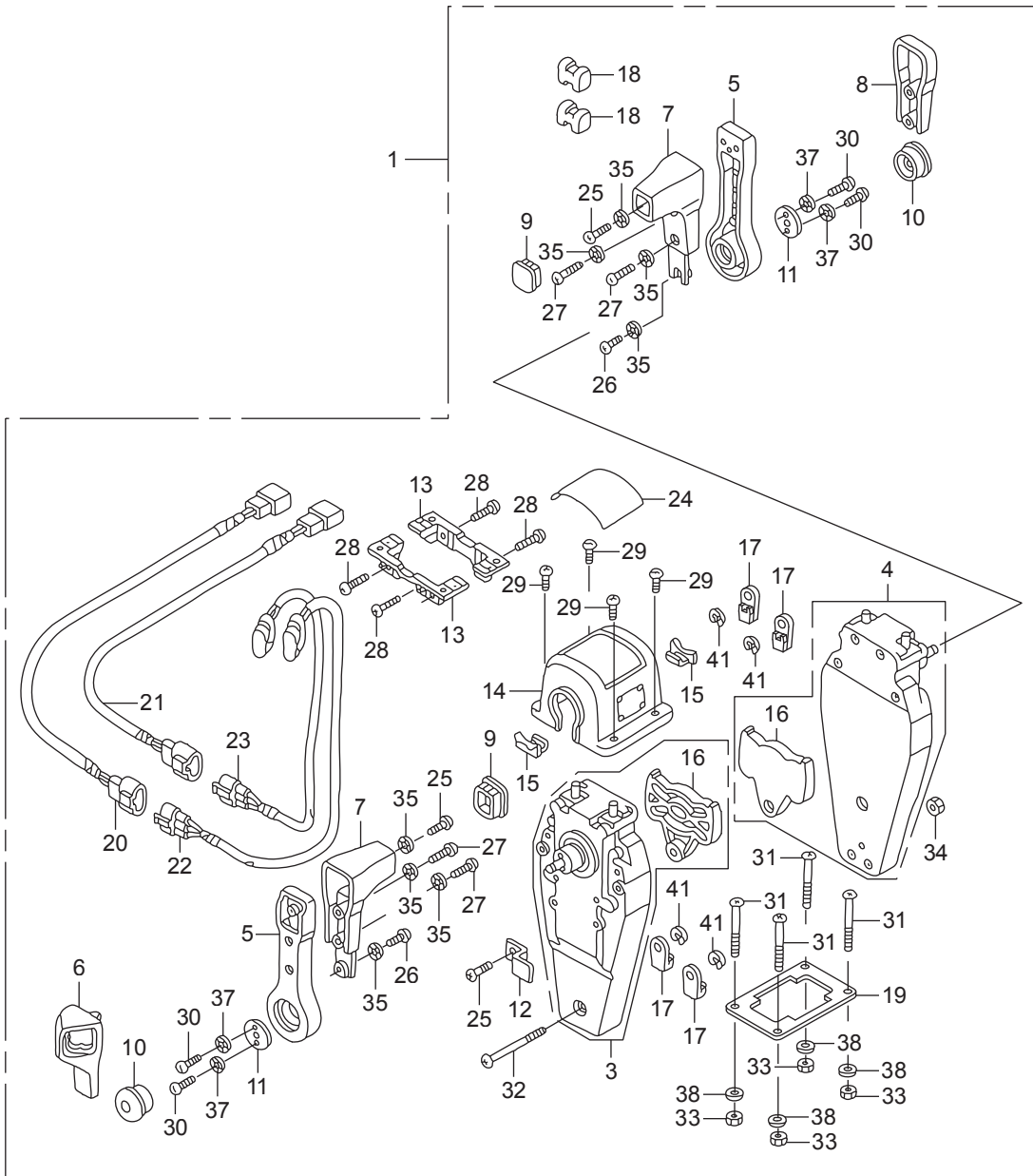
Ref.No.	Part No.	Description	Q' ty		Remarks	
			BFT60A	BFW60A		
FOP-4	30	HZW5-90501-U00	WASHER, LOCK, 5MM	4	4	
FOP-4	31	HZV4-90502-000	WASHER, PLAIN, 5MM	4	4	
FOP-4	32	HZW5-90502-U00	WASHER, LOCK, 6MM	2	2	
FOP-4	33	HZW5-90503-U00	WASHER, PLAIN, 5MM	4	4	
FOP-4	34	HCO-93500-05065-4J	SCREW, PAN, 5X65	4	4	
FOP-4	35	HCO-94001-05490-0S	NUT, HEX., 5MM	4	4	
FOP-4	36	HCO-94540-06029	E-RING, 6MM	2	2	

REMOTE CONTROL BOX  
(TOP MOUNT DUAL TYPE) (RIGHT)

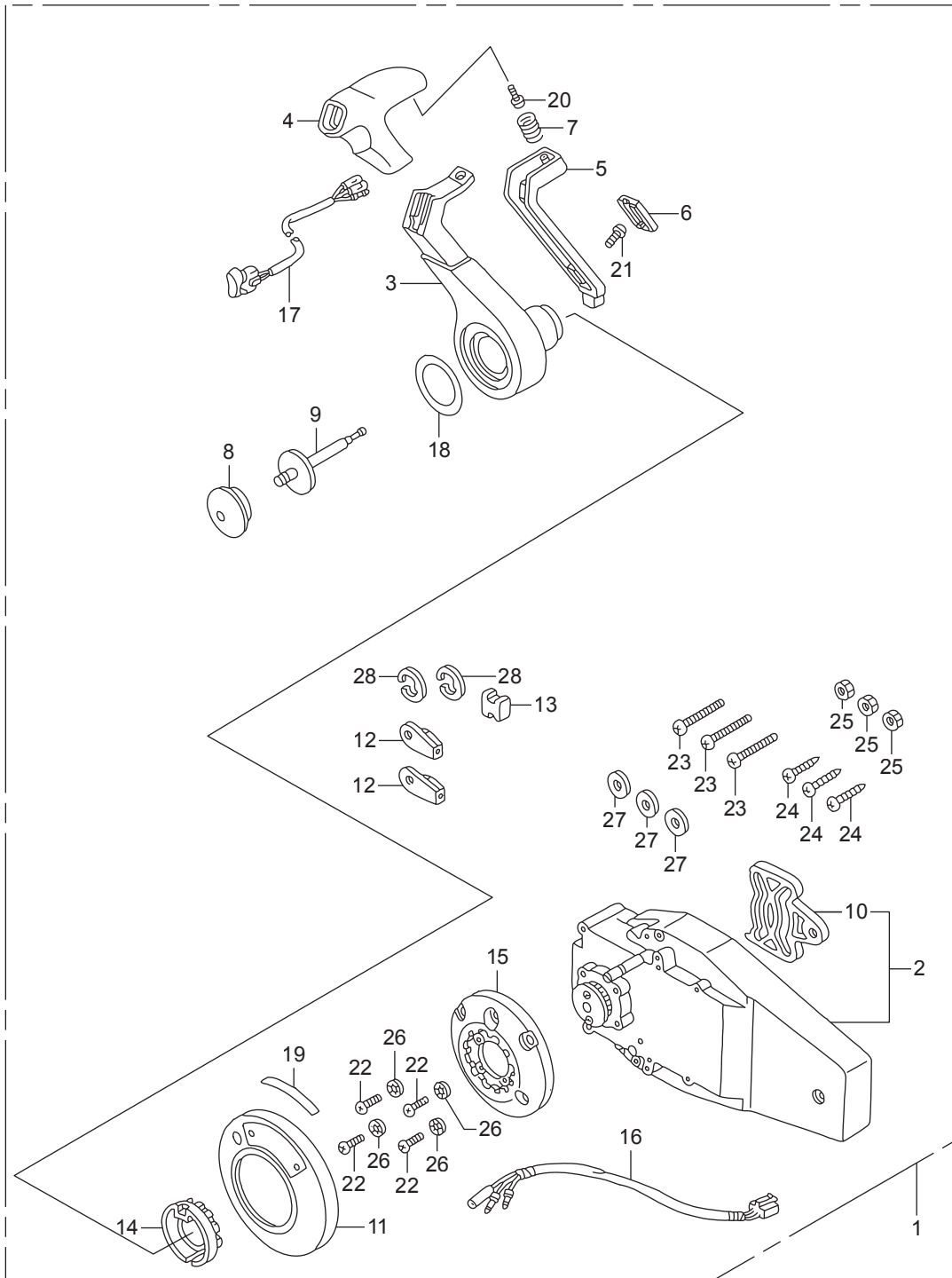


Ref.No.	Part No.	Description	Q' ty		Remarks	
			BFT60A	BFW60A		
FOP-4-2	1	HZZ3-06240-R60	BOX KIT, REMOTE CONTROL	1	1	(TOP MOUNT DUAL)(R.)
FOP-4-2	2	HZW5-06241-U10	SPACER KIT, REMOTE CONTROL BOX	1	1	(TOP MOUNT DUAL)
FOP-4-2	3	HZW5-24810-U01	HOUSING ASSY., L. INNER	1	1	(TOP MOUNT)
FOP-4-2	4	HZW5-24810-U11	HOUSING ASSY., R. INNER	1	1	(TOP MOUNT)
FOP-4-2	5	HZW5-24811-U01	HANDLE, REMOTE CONTROL	2	2	
FOP-4-2	6	HZW5-24812-U01	COVER, L. GRIP	1	1	
FOP-4-2	7	HZW5-24813-U01	GRIP, REMOTE CONTROL HANDLE	2	2	
FOP-4-2	8	HZW5-24813-U21	COVER, DUAL GRIP	1	1	
FOP-4-2	9	HZW5-24814-U01	CAP, GRIP	2	2	
FOP-4-2	10	HZW5-24816-U01	BUTTON, THROTTLE	2	2	
FOP-4-2	11	HZW5-24817-U01	PLATE, HANDLE	2	2	
FOP-4-2	12	HZW5-24818-U01	PLATE, CABLE CLAMP	1	1	
FOP-4-2	13	HZW5-24819-U01	BRACKET, REMOTE CONTROL	2	2	HOUSING
FOP-4-2	14	HZZ3-24820-R21	HOUSING COMP., REMOTE CONTROL	1	1	BOX(DUAL)
FOP-4-2	15	HZW5-24825-U01	HOUSING, LEAD	2	2	
FOP-4-2	16	HZW5-24826-U01	PLATE, DWELL	2	2	
FOP-4-2	17	HZW5-24831-U01	TERMINAL, CABLE	4	4	
FOP-4-2	18	HZW5-24832-U01	SPACER, CABLE CLAMP	2	2	
FOP-4-2	19	HZW5-24834-U21	PACKING, DUAL	1	1	
FOP-4-2	20	HZW7-32530-U00	SUB HARNESS ASSY., POWER	1	1	TRIM-TILT(A)
FOP-4-2	21	HZW7-32530-U10	SUB HARNESS ASSY., POWER	1	1	TRIM-TILT(B)
FOP-4-2	22	HZW5-35370-U02	SWITCH ASSY., POWER TRIM-TILT	1	1	(A)
FOP-4-2	23	HZW5-35370-U12	SWITCH ASSY., POWER TRIM-TILT	1	1	(B)
FOP-4-2	24	HZZ3-87703-R01	MARK, REMOTE CONTROL(DUAL)	1	1	
FOP-4-2	25	HZW5-90101-U00	SCREW, PAN, 5X16	3	3	
FOP-4-2	26	HZW5-90102-U00	SCREW, PAN, 5X10	2	2	
FOP-4-2	27	HZW5-90103-U01	SCREW, PAN, 5X20	4	4	
FOP-4-2	28	HZW5-90104-U00	SCREW, PAN, 5X18	4	4	
FOP-4-2	29	HZW5-90105-U01	SCREW, PAN, 4X10	4	4	

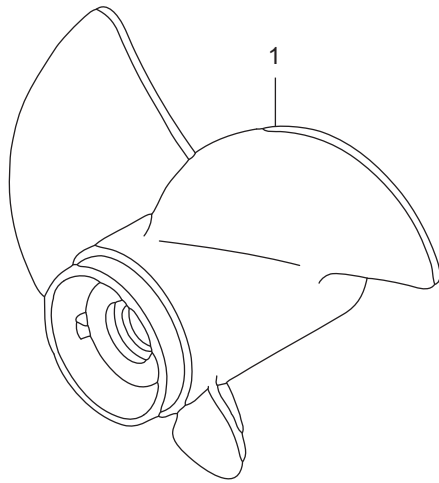
REMOTE CONTROL BOX  
(TOP MOUNT DUAL TYPE) (RIGHT)



Ref.No.	Part No.	Description	Q' ty		Remarks	
			BFT60A	BFW60A		
FOP-4-2	30	HZW5-90106-U00	SCREW, PAN, 6X18	4	4	
FOP-4-2	31	HZW5-90107-U00	SCREW, PAN, 5X40	4	4	
FOP-4-2	32	HZW5-90108-U00	SCREW, PAN, 5X55	3	3	
FOP-4-2	33	HZW5-90301-U00	NUT, HEX., 5MM	4	4	
FOP-4-2	34	HZW5-90302-U21	NUT, HEX., 5MM	1	1	
FOP-4-2	35	HZW5-90501-U00	WASHER, LOCK, 5MM	8	8	
FOP-4-2	36	HZV4-90502-000	WASHER, PLAIN, 5MM	4	4	
FOP-4-2	37	HZW5-90502-U00	WASHER, LOCK, 6MM	4	4	
FOP-4-2	38	HZW5-90503-U00	WASHER, PLAIN, 5MM	4	4	
FOP-4-2	39	HCO-93500-05065-4J	SCREW, PAN, 5X65	4	4	
FOP-4-2	40	HCO-94001-05490-0S	NUT, HEX., 5MM	4	4	
FOP-4-2	41	HCO-94540-06029	E-RING, 6MM	4	4	

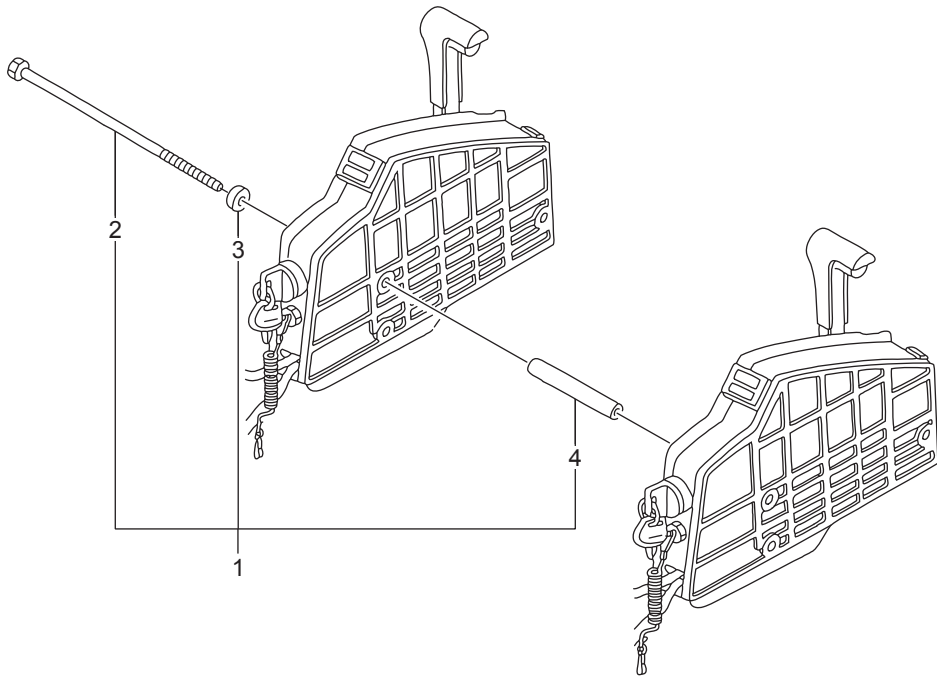


Ref.No.	Part No.	Description	Q' ty		Remarks	
			BFT60A	BFW60A		
FOP-4-4	1	HZZ3-06240-R40	BOX KIT, REMOTE CONTROL	1	1	(FLUSH MOUNT)(R.)
FOP-4-4	2	HZW7-24810-U01	HOUSING ASSY., R. INNER	1	1	(FLUSH MOUNT)
FOP-4-4	3	HZW7-24811-U01	HANDLE, REMOTE CONTROL	1	1	
FOP-4-4	4	HZW7-24812-U01	COVER, GRIP	1	1	
FOP-4-4	5	HZW7-24813-U01	ARM, NEUTRAL LOCK	1	1	
FOP-4-4	6	HZW7-24814-U01	COVER, LOCK ARM	1	1	
FOP-4-4	7	HZW7-24815-U01	SPRING, NEUTRAL LOCK ARM	1	1	
FOP-4-4	8	HZW5-24816-U01	BUTTON, THROTTLE	1	1	
FOP-4-4	9	HZW7-24817-U01	SHAFT, THROTTLE BUTTON	1	1	
FOP-4-4	10	HZW5-24826-U01	PLATE, DWELL	1	1	
FOP-4-4	11	HZZ3-24830-R41	COVER ASSY.	1	1	
FOP-4-4	12	HZW5-24831-U01	TERMINAL, CABLE	2	2	
FOP-4-4	13	HZW5-24832-U01	SPACER, CABLE CLAMP	1	1	
FOP-4-4	14	HZW7-24832-U01	HOLDER, NEUTRAL LOCK	1	1	
FOP-4-4	15	HZW7-24833-U01	BASE	1	1	
FOP-4-4	16	HZW7-32530-U20	SUB HARNESS ASSY., POWER	1	1	TRIM-TILT(C)
FOP-4-4	17	HZW7-35370-U02	SWITCH ASSY., POWER TRIM-TILT	1	1	(C)
FOP-4-4	18	HZZ3-87701-R40	MARK, HANDLE FLUSH MOUNT	1	1	
FOP-4-4	19	HZW7-87703-U00	MARK, FLUSH MOUNT	1	1	
FOP-4-4	20	HZW5-90101-U00	SCREW, PAN, 5X16	1	1	
FOP-4-4	21	HZW7-90101-U01	SCREW, TRUSS, 4X12	1	1	
FOP-4-4	22	HZW7-90102-U01	SCREW, PAN, 5X30	4	4	
FOP-4-4	23	HZW7-90103-U01	SCREW, PAN, 6X35	3	3	
FOP-4-4	24	HZW7-90104-U01	SCREW, TAPPING, 6X30	3	3	
FOP-4-4	25	HZW7-90301-U01	NUT, HEX., 6MM	3	3	
FOP-4-4	26	HZW5-90501-U00	WASHER, LOCK, 5MM	4	4	
FOP-4-4	27	HZW7-90502-U00	WASHER, PLAIN, 6MM	3	3	
FOP-4-4	28	HCO-94540-06029	E-RING, 6MM	2	2	



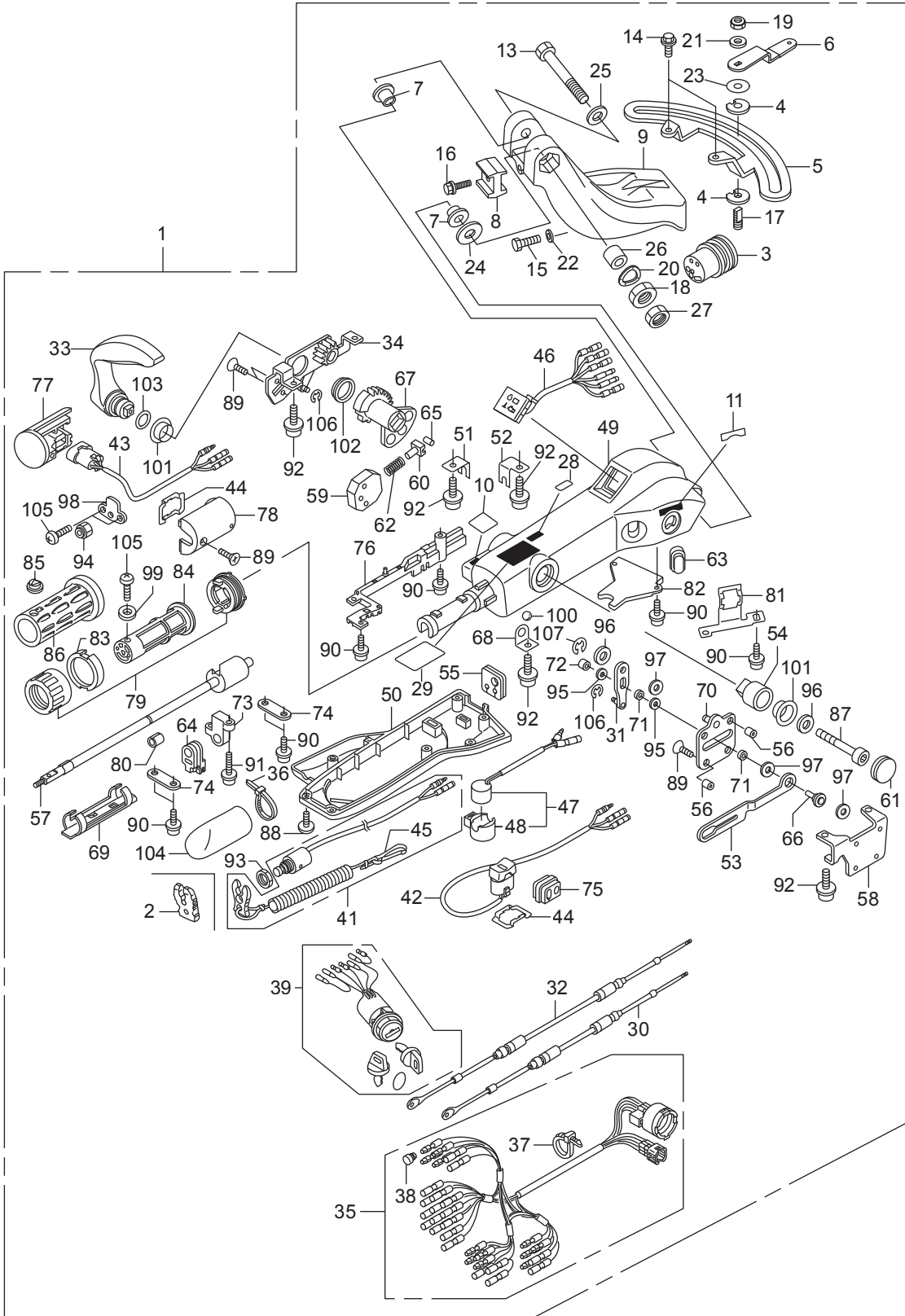






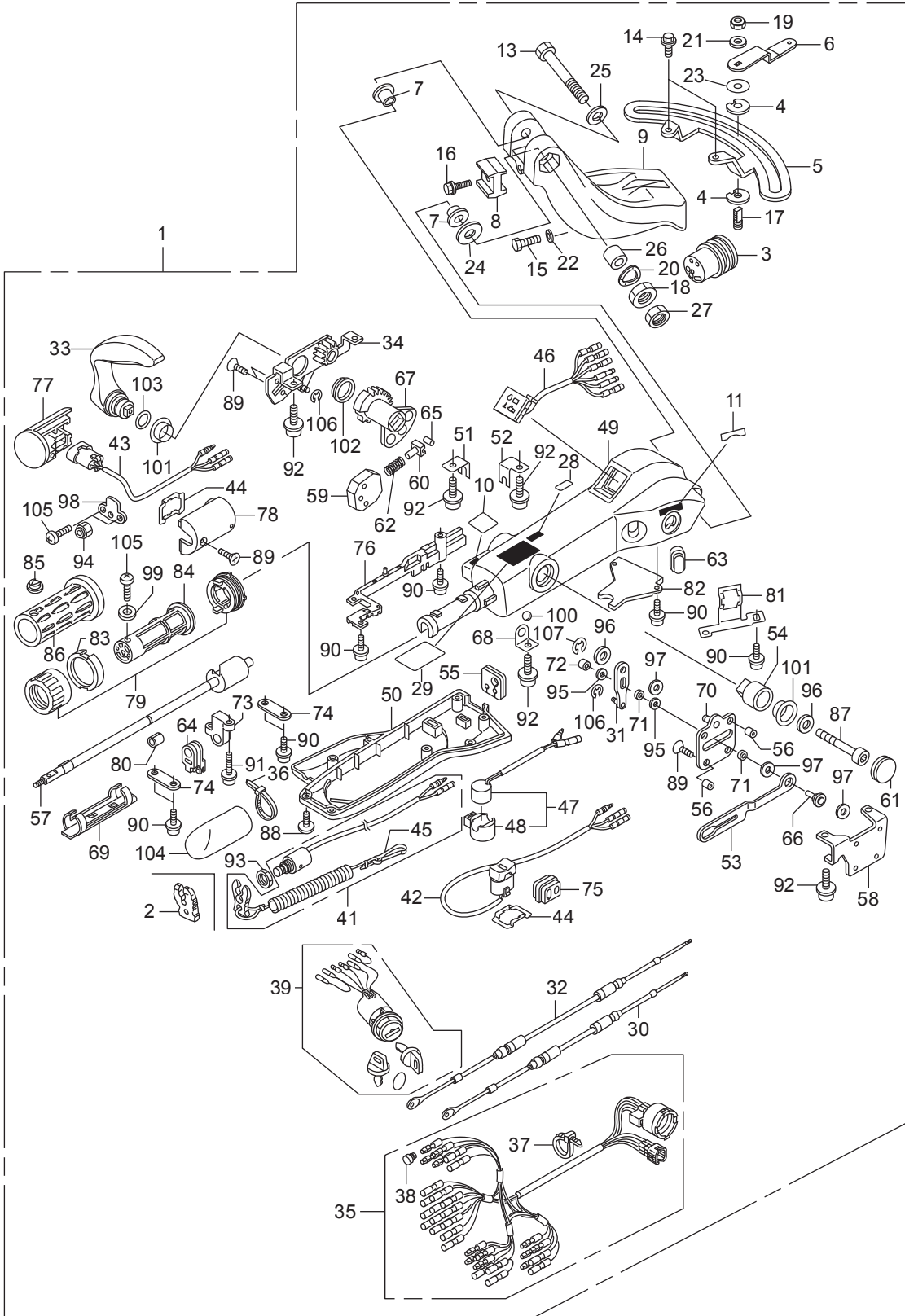


STEERING HANDLE KIT  
(COMPONENT PARTS)



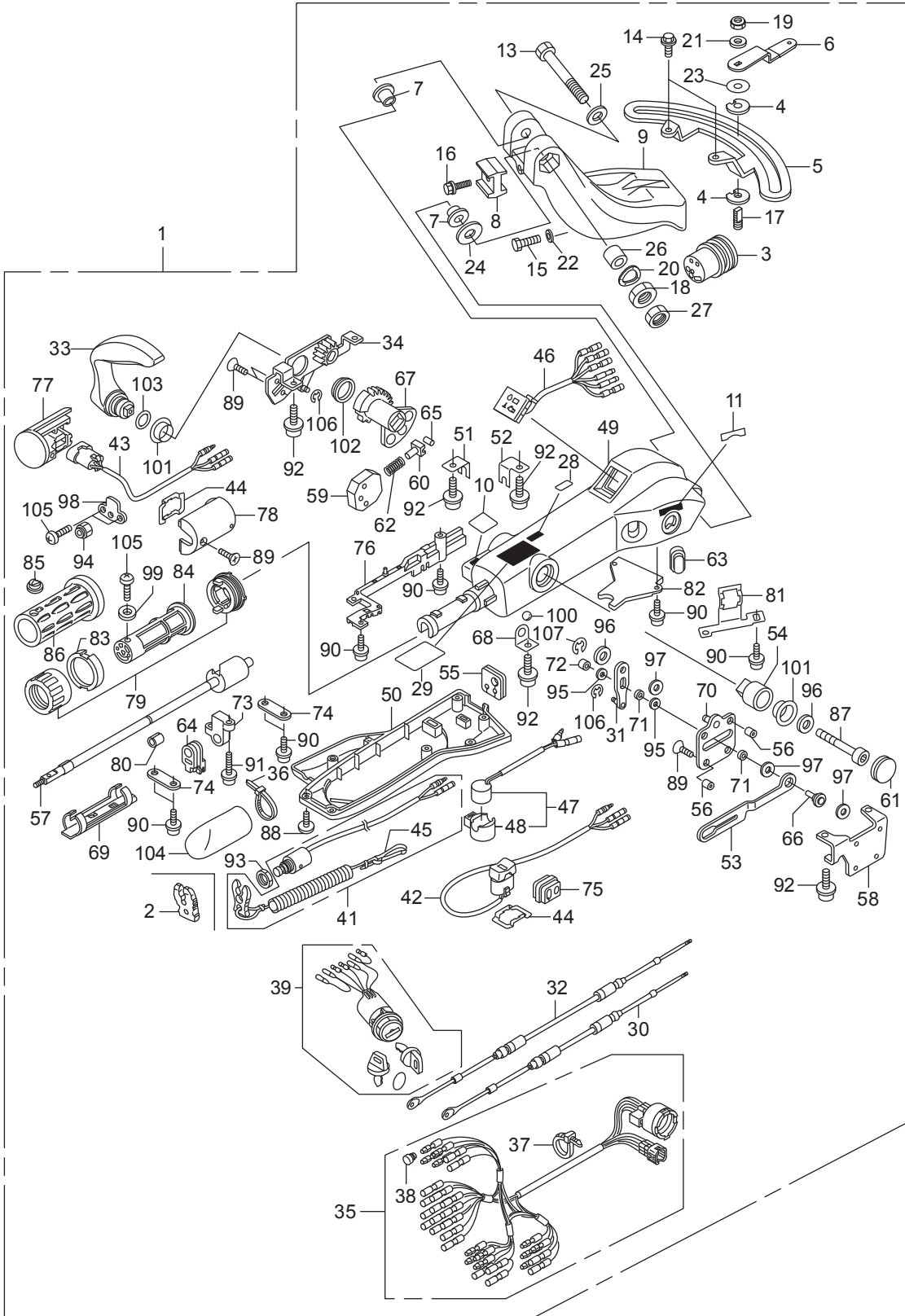
Ref.No.	Part No.	Description	Q' ty		Remarks	
			BFT60A	BFW60A		
FOP-8	1	HZZ3-06533-R00ZA	HANDLE KIT, STEERING (US)	1	1	*T107* BAY BLUE
FOP-8	2	HZV4-36187-652	CLIP, EMERGENCY LOCK	1	1	
FOP-8	3	HZZ3-40105-A00	GROMMET, STEERING HANDLE CABLE	1	1	
FOP-8	4	HZW9-50212-003	BLOCK COMP., FRICTION	2	2	
FOP-8	5	HZZ3-50218-000	PLATE, FRICTION	1	1	
FOP-8	6	HZW9-50219-010	LEVER, FRICTION	1	1	
FOP-8	7	HZW4-53116-H11	BUSH, STEERING HANDLE	2	2	
FOP-8	8	HZY9-53232-A00	BLOCK, HEIGHT ADJUSTER	1	1	
FOP-8	9	HZZ5-53233-000ZD	BRACKET, STEERING	1	1	*T107* BAY BLUE
FOP-8	10	HZW6-87124-U80	MARK, EMERGENCY SWITCH	1	1	INDICATION(EU)
FOP-8	11	HZZ3-87125-R00	MARK, STARTER(ENGLISH)	1	1	
FOP-8	13	HZW4-90101-H00	BOLT, HEX., 12X80	1	1	
FOP-8	14	HZW9-90102-000	BOLT, FLANGE, 6X12	2	2	
FOP-8	15	HZY3-90103-000	BOLT, HEX., 10X32	2	2	
FOP-8	16	HHW1-90118-671	BOLT, FLANGE, 8X28	1	1	
FOP-8	17	HZW9-90162-000	BOLT, STUD, 8X26	1	1	
FOP-8	18	HZW4-90303-H00	NUT, HEX., 12MM	1	1	
FOP-8	19	HZW9-90305-000	NUT, SELF-LOCK, 8MM	1	1	
FOP-8	20	HZV1-90506-000	WASHER, WAVE, 14MM	1	1	
FOP-8	21	H921-90514-000	WASHER, 8MM	1	1	
FOP-8	22	HZV4-90514-000	WASHER, 10MM	2	2	
FOP-8	23	HZW9-90517-000	WASHER, NYLON, 8MM	1	1	
FOP-8	24	HZV5-90552-000	WASHER, PLAIN, 12MM	1	1	
FOP-8	25	HZV5-90559-000	WASHER, PLAIN, 12MM	1	1	
FOP-8	26	HZW4-91552-H00	COLLAR, DISTANCE, 12.2X23X16	1	1	
FOP-8	27	HCO-94002-12490-0S	NUT, HEX., 12MM	1	1	
FOP-8	28	HZW9-87511-000	MARK, CHANGE	1	1	
FOP-8	29	HZW9-87532-640	MARK, THROTTLE(ENGLISH)	1	1	
FOP-8	30	HZZ3-17910-A41	CABLE, THROTTLE	1	1	

STEERING HANDLE KIT  
(COMPONENT PARTS)



Ref.No.	Part No.	Description	Q' ty		Remarks	
			BFT60A	BFW60A		
FOP-8	31	HZZ3-17931-A41	ARM ASSY., THROTTLE	1	1	
FOP-8	32	HZZ3-24590-A41	CABLE, SHIFT	1	1	
FOP-8	33	HZZ3-24614-A41	LEVER, SHIFT	1	1	
FOP-8	34	HZZ3-24615-A41	FRAME ASSY., SHIFT	1	1	
FOP-8	35	HZZ3-32538-A41	CABLE ASSY. A, LONG HANDLE	1	1	
FOP-8	36	HZW4-32543-H01	BAND(CONVEX CV-150)	1	1	
FOP-8	37	HZW4-32544-H01	BAND(CONVEX CV-200)	2	2	
FOP-8	38	HZV5-32823-003	PLUG, INNER CONNECTOR	13	13	
FOP-8	39	HZZ3-35100-R01	SWITCH ASSY., COMBINATION	1	1	
FOP-8	41	HZZ3-35180-A42	SWITCH ASSY., EMERGENCY STOP	1	1	
FOP-8	42	HZZ3-35340-A42	SWITCH ASSY., TROLLING CONTROL	1	1	
FOP-8	43	HZZ3-35640-A41	SWITCH ASSY., POWER TILT	1	1	
FOP-8	44	HZZ3-35645-A41	PLATE, SWITCH	2	2	
FOP-8	45	HZV4-36182-651	CORD COMP., EMERGENCY	1	1	
FOP-8	46	HZY9-37210-A02	LAMP ASSY., INDICATOR	1	1	
FOP-8	47	HZY9-38400-A00	BUZZER ASSY., WARNING	1	1	
FOP-8	48	HZY9-38402-A00	SUSPENSION, WARNING BUZZER	1	1	
FOP-8	49	HZZ3-53101-A41ZD	HOUSING	1	1	*T107* BAY BLUE
FOP-8	50	HZZ3-53102-A41	COVER, UNDER	1	1	
FOP-8	51	HZZ3-53103-A41	CLAMP, SHIFT CABLE	1	1	
FOP-8	52	HZZ3-53104-A41	CLAMP, THROTTLE CABLE	1	1	
FOP-8	53	HZZ3-53105-A41	PLATE, LOCK	1	1	
FOP-8	54	HZZ3-53106-A41	STOPPER, SHIFT	1	1	
FOP-8	55	HZZ3-53108-A41	GROMMET	1	1	
FOP-8	56	HZZ3-53109-A41	SPACER	4	4	
FOP-8	57	HZZ3-53110-A41	SHAFT ASSY., THROTTLE	1	1	
FOP-8	58	HZZ3-53111-A41	FRAME, THROTTLE	1	1	
FOP-8	59	HZZ3-53112-A41	GUIDE, SPRING	1	1	
FOP-8	60	HZW4-53113-H01	ACTUATOR	1	1	

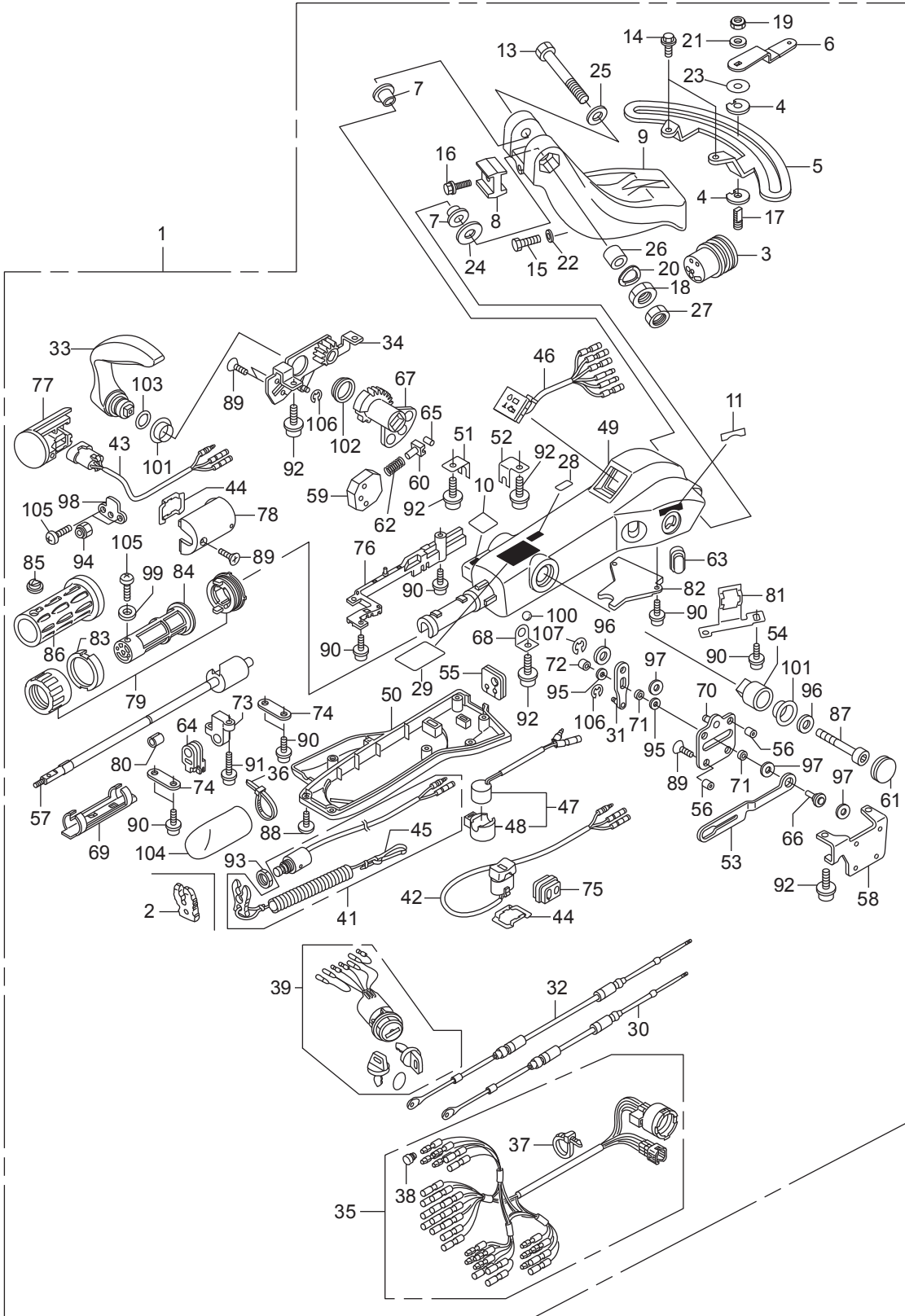
STEERING HANDLE KIT  
(COMPONENT PARTS)



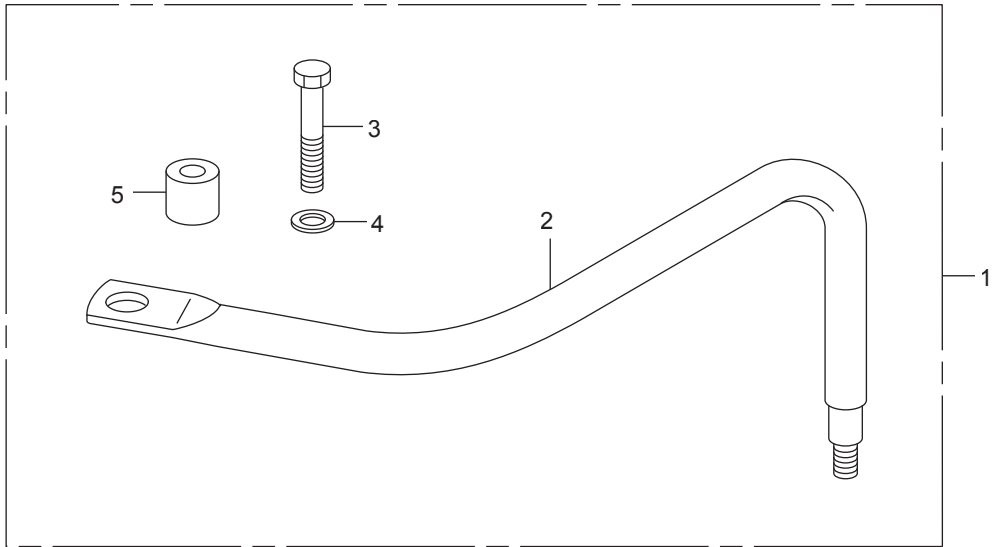


Ref.No.	Part No.	Description	Q'ty		Remarks	
			BFT60A	BFW60A		
FOP-8	61	HZZ3-53113-A41	CAP	1	1	
FOP-8	62	HZZ3-53114-A41	SPRING	1	1	
FOP-8	63	HZW4-53115-H02	GROMMET, POWER TILT SWITCH	1	1	
FOP-8	64	HZZ3-53115-A41	GROMMET, POWER TILT SWITCH	1	1	
FOP-8	65	HZW4-53116-H01	ROLLER	1	1	
FOP-8	66	HZZ3-53117-A41	PIN, SLIDE	1	1	
FOP-8	67	HZZ3-53118-A41	GEAR, SHIFT	1	1	
FOP-8	68	HZZ3-53119-A41	PLATE, BALL GUIDE	1	1	
FOP-8	69	HZZ3-53120-A41	GUIDE, THROTTLE HARNESS	1	1	
FOP-8	70	HZZ3-53121-A41	FRAME ASSY., THROTTLE SUB	1	1	
FOP-8	71	HZZ3-53122-A41	ROLLER, PLATE	2	2	
FOP-8	72	HZZ3-53123-A41	ROLLER, CAM	1	1	
FOP-8	73	HZZ3-53124-A41	STAY	1	1	
FOP-8	74	HZZ3-53125-A41	PLATE, SHIFT CLAMP	2	2	
FOP-8	75	HZZ3-53126-A41	GROMMET, SIDE	1	1	
FOP-8	76	HZZ3-53127-A41	GUIDE, HARNESS	1	1	
FOP-8	77	HZZ3-53128-A41	BOX ASSY., POWER TILT SWITCH	1	1	1
FOP-8	78	HZZ3-53129-A41	BOX ASSY., POWER TILT SWITCH	1	1	2
FOP-8	79	HZW9-53130-000	GRIP ASSY., THROTTLE FRICTION	1	1	
FOP-8	80	HZZ3-53130-A41	BUSH, THROTTLE SHAFT	1	1	
FOP-8	81	HZZ3-53131-A41	HOLDER, SWITCH	1	1	
FOP-8	82	HZZ3-53132-A41	PLATE, HARNESS	1	1	
FOP-8	83	HZW9-53133-000	PAD, THROTTLE FRICTION	1	1	
FOP-8	84	HZZ3-53141-A41	PIPE, THROTTLE GRIP	1	1	
FOP-8	85	HZZ3-53142-A41	CAP, GRIP	1	1	
FOP-8	86	HZZ3-53165-000	RUBBER, GRIP	1	1	
FOP-8	87	HZZ3-90103-A41	BOLT, SOCKET, 8X70	1	1	
FOP-8	88	HZW4-90104-H01	BOLT(M5X12)	8	8	
FOP-8	89	HZZ3-90111-A41	SCREW, FLAT, 5X14	7	7	

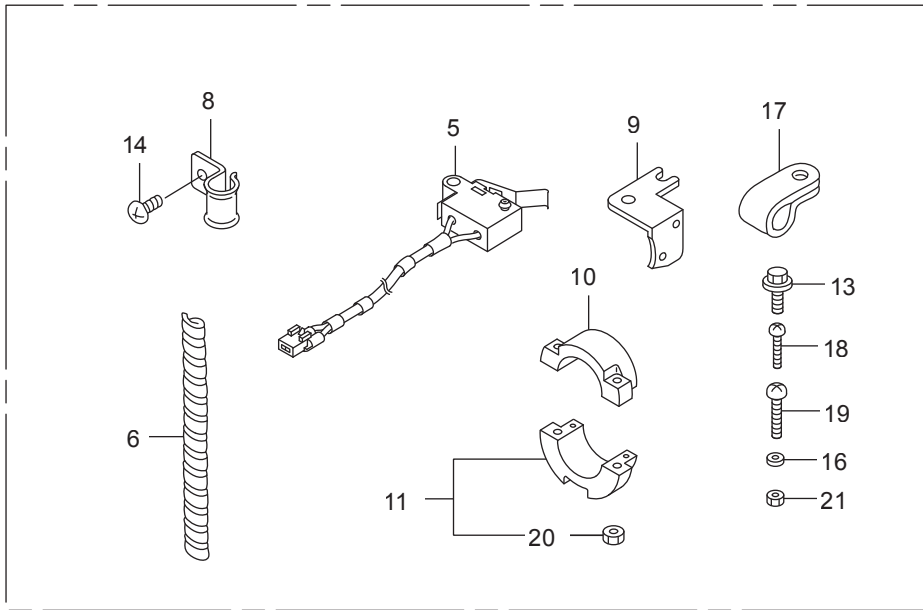
STEERING HANDLE KIT  
(COMPONENT PARTS)



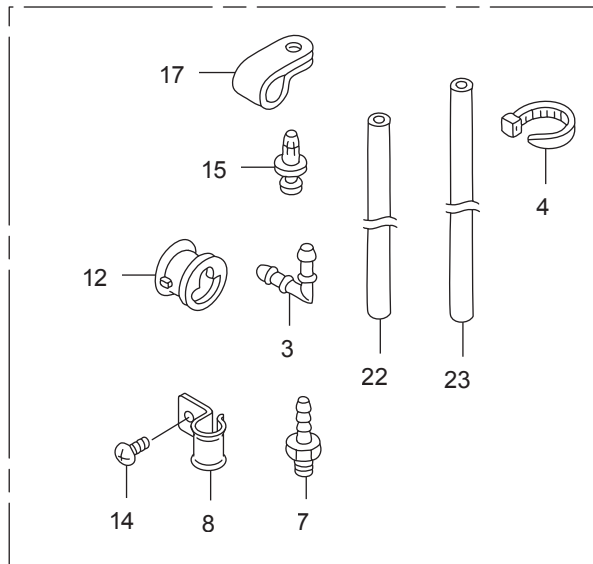
Ref.No.	Part No.	Description	Q' ty		Remarks	
			BFT60A	BFW60A		
FOP-8	90	HZZ3-90112-A41	BOLT, 5X12	11	11	
FOP-8	91	HZZ3-90113-A41	BOLT, 5X20	2	2	
FOP-8	92	HZZ3-90114-A41	BOLT, 6X15	7	7	
FOP-8	93	H921-90302-000	NUT, HEX., 16MM	1	1	
FOP-8	94	HZZ3-90305-A41	NUT, NYLON, 5MM	1	1	
FOP-8	95	HZZ3-90501-A41	WASHER	2	2	
FOP-8	96	HZW4-90502-H02	WASHER, 8MM	2	2	
FOP-8	97	HZZ3-90502-A41	WASHER	3	3	
FOP-8	98	HZZ3-90503-A41	WASHER, PLATE	1	1	
FOP-8	99	HZW4-90504-H01	WASHER, 5MM	1	1	
FOP-8	100	HZY9-90951-A01	BALL, STEEL	1	1	
FOP-8	101	HZW4-91051-H02	BEARING	2	2	
FOP-8	102	HZW4-91052-H01	BEARING	1	1	
FOP-8	103	HHP5-91304-601	O-RING, 20.6X1.9	1	1	
FOP-8	104	HZJ1-91408-810	TUBE, CORD, 30MM	1	1	
FOP-8	105	HCO-93500-05014-4J	SCREW, PAN, 5X14	3	3	
FOP-8	106	HCO-94540-04029	E-RING, 4MM	2	2	
FOP-8	107	HCO-94540-07029	E-RING, 7MM	1	1	



Ref.No.	Part No.	Description	Q'ty		Remarks	
			BFT60A	BFW60A		
FOP-8-10	1	HZZ3-06531-000	ROD KIT, STEERING	1	1	
FOP-8-10	2	HZZ3-53238-000	ROD, STEERING	1	1	
FOP-8-10	3	HZV0-90113-000	BOLT, HEX., 6X35	1	1	
FOP-8-10	4	HZV4-90506-000	WASHER, PLAIN, 6MM	1	1	
FOP-8-10	5	HZZ3-91554-000	COLLAR, DISTANCE, 6.5X16X16.5	1	1	



1



2

Ref.No.	Part No.	Description	Q' ty		Remarks	
			BFT60A	BFW60A		
FOP-9	1	HZZ3-06357-000	LIMIT KIT, TILT	1	1	
FOP-9	2	HZZ3-06411-000	TUBE KIT, SPEED SENSOR	1	1	
FOP-9	3	HGE1-17357-670	JOINT A, BREATHER	1	1	
FOP-9	4	HKM3-32161-003	BAND, WIRE	4	4	
FOP-9	5	HZZ3-35745-741	SWITCH ASSY., TILT LIMIT	1	1	
FOP-9	6	HZV5-36104-821	TUBE, SPIRAL	1	1	
FOP-9	7	HZV5-41172-000	NIPPLE, SENSOR	1	1	
FOP-9	8	HZY3-50209-A00	CLAMP, TUBE	4	4	
FOP-9	9	HZZ3-50222-000	BRACKET, TILT LIMIT SENSOR	1	1	
FOP-9	10	HZZ3-50223-000	CAM A, TILT LIMIT ANGLE	1	1	
FOP-9	11	HZZ3-50224-000	CAM B, TILT LIMIT ANGLE	1	1	
FOP-9	12	HZY6-56118-000	BUSH, MOTOR CODE	1	1	
FOP-9	13	HZW9-90102-000	BOLT, FLANGE, 6X12	1	1	
FOP-9	14	HZV5-90119-000	SCREW, PAN, 6X8	4	4	
FOP-9	15	HZV5-90127-003	SCREW, RIVET, 5X10	1	1	
FOP-9	16	HZW4-90401-000	WASHER, PLAIN, 4MM	1	1	
FOP-9	17	H750-90628-000	CLIP(14MM)	2	2	
FOP-9	18	HCO-93500-04014-4J	SCREW, PAN, 4X14	1	1	
FOP-9	19	HCO-93500-05020-4J	SCREW, PAN, 5X20	2	2	
FOP-9	20	HCO-94001-05490-0S	NUT, HEX., 5MM	2	2	
FOP-9	21	HCO-94002-04490-0S	NUT, HEX., 4MM	1	1	
FOP-9	22	HCO-95005-50530-30	TUBE, 5X530	1	1	(HC-95005-50001-30M)
FOP-9	23	HCO-95005-50950-30	TUBE, 5X950	1	1	(HC-95005-50001-30M)

# INDEX

<A>		
ACTUATOR .....	FOP-8-60	
ADJUSTER .....	F-15-2-17	
ARM ASSY., BRAKE .....	F-15-2-7	
ARM ASSY., SHIFT LINK .....	F-15-1-18	
ARM ASSY., THROTTLE .....	FOP-8-31	
ARM ASSY., THROTTLE LINK .....	F-15-1-21	
ARM COMP., EX. ROCKER(A) .....	E-9-7	
ARM COMP., EX. ROCKER(B) .....	E-9-8	
ARM COMP., IN. VALVE ROCKER .....	E-9-6	
ARM COMP., LINK JOINT .....	F-15-19	
ARM COMP., SHIFT LINK .....	F-15-15	
ARM, NEUTRAL LOCK .....	F-15-2-4	
ARM, NEUTRAL LOCK .....	FOP-4-4-5	
ARM, SHIFT .....	F-2-11	
ARM, THROTTLE .....	F-2-7	
ARMATURE ASSY. ....	E-21-7	
ARMATURE COMP. ....	F-11-20-7	
<B>		
BAG, TOOL, 160MM .....	F-13-17	
BALL, STEEL .....	F-11-20-44	
BALL, STEEL .....	F-15-1-46	
BALL, STEEL .....	FOP-8-100	
BALL, STEEL, #11(11/32) .....	F-5-1-28	
BALL, STEEL, #6(3/16) .....	F-5-28	
BALL, STEEL, #7(7/32) .....	F-5-29	
BALL, STEEL, #7(7/32) .....	F-5-1-27	
BAND .....	E-18-10-26	
BAND(BLACK 3.5X140) .....	F-8-10-2	
BAND(BLACK 3.5X140) .....	F-11-20-3	
BAND(BLACK 3.5X140) .....	F-15-41	
BAND(CONVEX CV-150) .....	FOP-8-36	
BAND(CONVEX CV-200) .....	FOP-8-37	
BAND, AIR FLOW .....	E-15-10-6	
BAND, CABLE(B) .....	F-15-1-11	
BAND, CORD .....	F-7-10-1	
BAND, SELF LOCK .....	F-15-66	
BAND, UNDER CASE GROMMET .....	F-8-10-6	
BAND, WIRE .....	F-15-2-37	
BAND, WIRE .....	FOP-9-4	
BAND, WIRE HARNESS(NATURAL) .....	FOP-3-24	
BAND, WIRE HARNESS(NATURAL) .....	FOP-3-1-17	
BASE .....	FOP-4-4-15	
BEARING .....	FOP-8-101	
BEARING .....	FOP-8-102	
BEARING A, CONNECTING ROD .....	E-7-6	
BEARING B, CONNECTING ROD .....	E-7-6	
BEARING B, MAIN LOWER(BLACK) .....	E-7-11	
BEARING B, MAIN UPPER(BLACK) .....	E-7-8	
BEARING C, CONNECTING ROD .....	E-7-6	
BEARING C, MAIN LOWER(BROWN) .....	E-7-11	
BEARING C, MAIN UPPER(BROWN) .....	E-7-8	
BEARING D, CONNECTING ROD .....	E-7-6	
BEARING D, MAIN LOWER(GREEN) .....	E-7-11	
BEARING D, MAIN UPPER(GREEN) .....	E-7-8	
BEARING E, CONNECTING ROD .....	E-7-6	
BEARING E, MAIN LOWER(YELLOW) .....	E-7-11	
BEARING E, MAIN UPPER(YELLOW) .....	E-7-8	
BEARING F, CONNECTING ROD .....	E-7-6	
BEARING F, MAIN LOWER(PINK) .....	E-7-11	
BEARING F, MAIN UPPER(PINK) .....	E-7-8	
BEARING G, CONNECTING ROD(RED) .....	E-7-6	
BEARING G, MAIN LOWER(RED) .....	E-7-11	
BEARING G, MAIN UPPER(RED) .....	E-7-8	
BEARING H, MAIN LOWER(WHITE) .....	E-7-11	
BEARING H, MAIN UPPER(WHITE) .....	E-7-8	
BEARING(1) .....	F-15-2-60	
BEARING(2) .....	F-15-2-71	
BEARING(3) .....	F-15-2-72	
BEARING, 25X47X15 .....	F-4-27	
BEARING, 32X58X17 .....	F-5-21	
BEARING, BALL(28X38X3) .....	F-5-1-21	
BEARING, NEEDLE .....	F-4-1-29	
BEARING, NEEDLE, 22X28X20 .....	F-5-22	
BEARING, NEEDLE, 30X37X26 .....	F-5-1-19	
BEARING, NEEDLE, 7/8X11/8X1 .....	F-4-26	
BEARING, RADIAL BALL, 6007 .....	F-5-27	
BEARING, RADIAL BALL, 6208 .....	F-5-1-26	
BEARING, TAPER ROLLER .....	F-4-1-30	
BEARING, TAPERED ROLLER .....	F-5-1-20	
BELT, TIMING(88RU22.5 E-660) .....	E-13-5	
BLOCK ASSY., CYLINDER .....	E-3-4	
BLOCK COMP., FRICTION .....	FOP-8-4	
BLOCK, HEIGHT ADJUSTER .....	FOP-8-8	
BLOCK, NEUTRAL LOCK .....	F-15-7	
BLOCK, THROTTLE FRICTION .....	F-15-29	
BODY .....	E-18-10-3	
BODY ASSY., THROTTLE .....	E-15-2	
BODY, TROLLING CONTROL SWITCH .....	F-7-40-3	
BOLT .....	F-15-1-37	
BOLT KIT, SIDE REMOTE CONTROL .....	FOP-7-1	
BOLT(M5X12) .....	FOP-8-88	
BOLT(M6X37) .....	E-21-10	
BOLT, 3/8-24UNF .....	F-11-19	
BOLT, 5X12 .....	FOP-8-90	
BOLT, 5X20 .....	FOP-8-91	
BOLT, 5X25 .....	F-15-2-56	
BOLT, 6X15 .....	FOP-8-92	
BOLT, 8X50 .....	F-15-2-55	
BOLT, BLOCK OIL DRAIN .....	E-3-5	
BOLT, CLAMP, 4X35 .....	E-15-10-10	
BOLT, CONNECTING ROD .....	E-7-4	
BOLT, DRAIN PLUG .....	E-6-15	
BOLT, DRAIN PLUG .....	F-3-10-13	
BOLT, DRAIN PLUG .....	F-3-11-15	
BOLT, FLANGE, 10X25 .....	F-11-20	
BOLT, FLANGE, 10X40 .....	E-13-15	
BOLT, FLANGE, 12X38 .....	E-13-11	
BOLT, FLANGE, 6X10 .....	F-7-20-21	
BOLT, FLANGE, 6X10 .....	F-8-10-15	
BOLT, FLANGE, 6X11 .....	F-2-22	
BOLT, FLANGE, 6X12 .....	E-3-17	
BOLT, FLANGE, 6X12 .....	E-14-19	
BOLT, FLANGE, 6X12 .....	F-2-23	
BOLT, FLANGE, 6X12 .....	F-3-13	
BOLT, FLANGE, 6X12 .....	F-4-1-20	
BOLT, FLANGE, 6X12 .....	F-7-7	
BOLT, FLANGE, 6X12 .....	F-7-20-20	
BOLT, FLANGE, 6X12 .....	FOP-8-14	
BOLT, FLANGE, 6X12 .....	FOP-9-13	
BOLT, FLANGE, 6X14 .....	E-3-21	
BOLT, FLANGE, 6X14 .....	E-5-10	
BOLT, FLANGE, 6X14 .....	E-18-10-44	
BOLT, FLANGE, 6X14 .....	F-7-20-22	
BOLT, FLANGE, 6X14(CT200) .....	E-3-15	
BOLT, FLANGE, 6X14(CT200) .....	E-18-22	
BOLT, FLANGE, 6X14(CT200) .....	F-7-20-19	
BOLT, FLANGE, 6X16 .....	E-2-33	
BOLT, FLANGE, 6X16 .....	E-3-20	
BOLT, FLANGE, 6X16 .....	E-19-9	
BOLT, FLANGE, 6X16 .....	F-2-21	
BOLT, FLANGE, 6X16 .....	F-10-16	
BOLT, FLANGE, 6X18(CT200) .....	F-2-20	
BOLT, FLANGE, 6X20 .....	E-2-34	
BOLT, FLANGE, 6X20 .....	E-20-2	
BOLT, FLANGE, 6X20 .....	F-3-14	
BOLT, FLANGE, 6X20 .....	F-3-30-21	
BOLT, FLANGE, 6X20 .....	F-4-18	
BOLT, FLANGE, 6X22 .....	E-2-28	
BOLT, FLANGE, 6X22 .....	E-2-35	
BOLT, FLANGE, 6X22 .....	E-3-22	
BOLT, FLANGE, 6X22 .....	E-6-12	
BOLT, FLANGE, 6X23 .....	F-10-13	
BOLT, FLANGE, 6X25 .....	E-5-11	
BOLT, FLANGE, 6X25 .....	E-18-23	
BOLT, FLANGE, 6X25 .....	E-19-6	
BOLT, FLANGE, 6X28 .....	E-3-19	
BOLT, FLANGE, 6X28 .....	E-19-7	
BOLT, FLANGE, 6X30 .....	F-3-10-16	
BOLT, FLANGE, 6X32 .....	E-14-17	
BOLT, FLANGE, 6X35 .....	F-3-11-19	
BOLT, FLANGE, 6X37 .....	E-2-36	
BOLT, FLANGE, 6X50 .....	E-15-3	
BOLT, FLANGE, 8X18 .....	F-7-10-14	
BOLT, FLANGE, 8X25 .....	F-3-11	
BOLT, FLANGE, 8X26(SUS) .....	E-6-14	
BOLT, FLANGE, 8X28 .....	E-3-23	
BOLT, FLANGE, 8X28 .....	FOP-8-16	
BOLT, FLANGE, 8X32 .....	E-14-18	
BOLT, FLANGE, 8X35 .....	F-3-16	
BOLT, FLANGE, 8X35 .....	F-15-51	
BOLT, FLANGE, 8X35(SUS) .....	E-6-13	
BOLT, FLANGE, 8X45 .....	E-14-20	
BOLT, FLANGE, 8X45 .....	E-21-21	
BOLT, FLANGE, 8X60 .....	E-6-21	
BOLT, FLANGE, 8X60(SUS) .....	E-6-11	
BOLT, FLANGE, 8X70 .....	E-2-38	
BOLT, FLANGE, 8X90 .....	E-2-29	
BOLT, FLANGE,(SH)6X20 .....	F-8-10-20	
BOLT, FRICTION .....	F-15-30	
BOLT, HEAD COVER .....	E-2-32	
BOLT, HEX., 10X158 .....	F-10-14	
BOLT, HEX., 10X32 .....	F-3-10-11	
BOLT, HEX., 10X32 .....	FOP-8-15	
BOLT, HEX., 10X60 .....	F-3-10-9	
BOLT, HEX., 10X80 .....	F-3-11-13	
BOLT, HEX., 12X119 .....	F-10-15	
BOLT, HEX., 12X186 .....	F-3-12	
BOLT, HEX., 12X80 .....	FOP-8-13	
BOLT, HEX., 4X20 .....	F-7-40-7	
BOLT, HEX., 5X16 .....	F-15-71	
BOLT, HEX., 6X35 .....	F-11-18	
BOLT, HEX., 6X35 .....	FOP-8-10-3	
BOLT, HEX., 8X20 .....	F-3-10-14	
BOLT, HEX., 8X25 .....	F-3-11-14	
BOLT, HEX., 8X40 .....	F-4-19	
BOLT, HEX., 8X40 .....	FOP-1-11	
BOLT, HEX., 8X55 .....	F-4-1-19	
BOLT, HEX., 8X55 .....	FOP-1-11	
BOLT, OIL CHECK .....	F-3-10-10	
BOLT, OIL CHECK .....	F-3-11-11	
BOLT, ROCKER ARM SHAFT .....	E-9-20	
BOLT, RR. BRACKET .....	F-8-21	
BOLT, SEALING, 14MM .....	E-5-5	
BOLT, SEALING, 14MM .....	E-5-6	
BOLT, SEALING, 20MM .....	E-2-3	
BOLT, SEALING, 24MM .....	E-3-1	
BOLT, SEALING, 6MM .....	E-18-10-42	
BOLT, SOCKET(B) .....	F-11-20-40	
BOLT, SOCKET, 5X0.8 .....	F-11-20-39	
BOLT, SOCKET, 6X16 .....	F-3-11-17	
BOLT, SOCKET, 8X70 .....	FOP-8-87	
BOLT, SPECIAL, 6X17 .....	F-8-20	
BOLT, SPECIAL, 6X17 .....	F-8-10-18	
BOLT, SPECIAL, 6X220 .....	FOP-7-2	
BOLT, SPECIAL, 6X31 .....	E-19-10	
BOLT, SPECIAL, 6X37 .....	F-8-10-19	
BOLT, STUD 2, 8X25 .....	F-3-30-19	
BOLT, STUD, 10X125 .....	F-3-30-20	
BOLT, STUD, 8X26 .....	FOP-8-17	
BOLT, STUD, 8X32 .....	E-2-30	
BOLT, TDC PULSER PLATE .....	E-9-5	
BOLT, THROUGH .....	E-21-20	
BOLT, TIMING BELT ADJUSTING .....	E-3-16	
BOLT-WASHER, 10X40 .....	F-3-11-16	
BOLT-WASHER, 10X40 .....	F-5-1-13	
BOLT-WASHER, 16X49 .....	E-19-8	
BOLT-WASHER, 5X18 .....	E-14-16	
BOLT-WASHER, 6X20 .....	F-3-30-31	
BOLT-WASHER, 6X22 .....	F-8-18	
BOLT-WASHER, 6X25 .....	E-13-10	
BOLT-WASHER, 6X25 .....	E-18-10-43	
BOLT-WASHER, 6X25 .....	F-8-17	
BOLT-WASHER, 6X27 .....	F-8-19	
BOLT-WASHER, 6X27 .....	F-8-10-17	
BOLT-WASHER, 6X27(CT200) .....	E-20-10-9	
BOLT-WASHER, 6X27(CT200) .....	F-7-20-18	
BOLT-WASHER, 6X95 .....	F-8-10-16	
BOLT-WASHER, 8X30 .....	F-5-14	
BOLT-WASHER, 8X35 .....	E-14-15	
BOLT-WASHER, 8X40 .....	F-4-20	
BOLT-WASHER, 8X40 .....	FOP-1-12	
BOLT-WASHER, 9X100 .....	E-3-14	
BOLT-WASHER, 9X105 .....	E-2-31	
BOOT, SPRING .....	E-13-9	
BOTTOM, TILT CYLINDER .....	F-11-20-21	
BOX ASSY., POWER TILT SWITCH .....	FOP-8-77	



BOX ASSY., POWER TILT SWITCH	FOP-8-78	CAP, GRIP	FOP-4-2-9	COLLAR, 8.5X14.5	E-14-24
BOX ASSY., REMOTE CONTROL	F-15-1-1	CAP, GRIP	FOP-8-85	COLLAR, C.D.I. UNIT CASE	E-18-10-48
BOX ASSY., REMOTE CONTROL(EU)	F-15-2	CAP, HANDLE	F-15-6	COLLAR, C.D.I. UNIT CASE	E-20-10-10
BOX ASSY., REMOTE CONTROL(NHK MEC)	F-15-2-1	CAP, L. SIDE COVER	F-8-10-14	COLLAR, C.D.I. UNIT CASE	F-7-20-25
BOX KIT, REMOTE CONTROL	FOP-4-1	CAP, OIL TANK	F-11-20-37	COLLAR, C.D.I. UNIT CASE	F-7-30-4
BOX KIT, REMOTE CONTROL	FOP-4-2-1	CAP, OIL(YELLOW)	E-2-9	COLLAR, C.D.I. UNIT CASE	F-8-28
BOX KIT, REMOTE CONTROL	FOP-4-4-1	CAP, RUBBER	F-15-2-16	COLLAR, DISTANCE	F-4-33
BRACKET	F-15-2-11	CAP, SWITCH	FOP-4-8	COLLAR, DISTANCE	F-4-1-36
BRACKET A, POWER TILT COUPLER	F-7-20-14	CAP, TIMING BELT TENSIONER	E-13-7	COLLAR, DISTANCE	FOP-1-18
BRACKET A, REGULATOR COUPLER	E-3-9	CAP, TROLLING CONTROL SWITCH BLANK	F-15-2-22	COLLAR, DISTANCE(A)	FOP-7-3
BRACKET ASSY.	F-11-20-6	CAP, WATER JOINT	F-8-1	COLLAR, DISTANCE(B)	FOP-7-4
BRACKET ASSY., CENTER	E-21-2	CARTRIDGE, OIL FILTER	E-3-7	COLLAR, DISTANCE, 10X90	F-10-26
BRACKET B, REGULATOR COUPLER	E-3-11	CASE ASSY., GEAR	E-21-12	COLLAR, DISTANCE, 12.2X23X16	FOP-8-26
BRACKET COMP., NEUTRAL SWITCH	F-7-20-10	CASE ASSY., GEAR	F-3-20-1	COLLAR, DISTANCE, 6.1X9.1X20.5	F-8-10-24
BRACKET, A.C. GENERATOR	E-19-4	CASE ASSY., GEAR	F-3-20-1	COLLAR, DISTANCE, 6.2X7.5	F-8-30
BRACKET, A.C. GENERATOR FUSE	F-7-20-6	CASE ASSY., OIL	E-6-1	COLLAR, DISTANCE, 6.2X7.5	F-8-10-25
BRACKET, BUZZER	FOP-3-21	CASE COMP., MOUNT	E-6-9	COLLAR, DISTANCE, 6.5X11X7.5	F-3-30-3
BRACKET, BUZZER	FOP-3-1-14	CASE KIT, GEAR	F-3-10-1	COLLAR, DISTANCE, 6.5X16X14.5	F-11-35
BRACKET, CENTER	E-21-8	CASE KIT, GEAR(P/T)	F-3-11-1	COLLAR, DISTANCE, 6.5X16X16.5	FOP-8-10-5
BRACKET, FR. UNDER COVER	F-8-10-8	CASE, ELECTRONIC PARTS	F-7-20-3	COLLAR, DISTANCE, 6.5X9X3	F-3-11-33
BRACKET, FUSE	F-7-20-7	CASE, EXTENSION	F-3-3	COLLAR, DISTANCE, 6.5X9X5	F-8-29
BRACKET, L. STERN	F-10-4	CASE, GEAR	F-3-10-3	COLLAR, DISTANCE, 6.5X9X5	F-8-10-22
BRACKET, LINK JOINT	F-15-20	CASE, GEAR	F-3-11-3	COLLAR, DISTANCE, 6X10X43.5	F-15-70
BRACKET, MAIN RELAY	F-7-20-17	CASE, IGNITION COIL	E-20-10-5	COLLAR, FR. BRACKET	F-8-10-23
BRACKET, POWER TILT RELAY	F-7-20-16	CASE, SWIVEL	F-11-3	COLLAR, LINK JOINT	F-15-69
BRACKET, POWER TILT SWITCH	F-7-20-11	CIRCLIP, 14MM	F-5-26	COLLAR, SLIDING PLATE	F-15-17
BRACKET, R. STERN	F-10-3	CIRCLIP, EXTERNAL	F-15-1-44	COLLAR, STEERING ROD	F-11-36
BRACKET, REMOTE CONTROL	FOP-4-12	CIRCLIP, EXTERNAL, 12	F-2-31	CONTROL UNIT, ELECTRONIC	E-20-1
BRACKET, REMOTE CONTROL	FOP-4-2-13	CIRCLIP, EXTERNAL, 14MM	F-5-1-25	CORD ASSY., IGNITION COIL	E-20-10-7
BRACKET, REMOTE CONTROL CABLE	F-8-10-1	CIRCLIP, EXTERNAL, 39MM	F-11-31	CORD ASSY., INDICATOR(20FT)	FOP-3-4
BRACKET, RR. UNDER COVER	F-8-5	CIRCLIP, INTERNAL(16)	F-11-20-12	CORD ASSY., INDICATOR(25FT)	FOP-3-4
BRACKET, SHIFT LINK	F-2-16	CLAMP	F-6-5	CORD ASSY., INDICATOR(30FT)	FOP-3-4
BRACKET, STEERING	FOP-8-9	CLAMP	F-6-8	CORD COMP., EMERGENCY	F-15-43
BRACKET, TILT LIMIT SENSOR	FOP-9-9	CLAMP B, FUEL TUBE	E-14-6	CORD COMP., EMERGENCY	F-15-1-29
BRACKET, TILTING	F-11-12	CLAMP B, FUEL TUBE	E-18-16	CORD COMP., EMERGENCY	F-15-2-39
BRACKET, TROLLING CONTROL	F-7-40-4	CLAMP B, FUEL TUBE	F-7-20-2	CORD COMP., EMERGENCY	FOP-3-15
BRACKET, TUBE CLAMP	E-18-10	CLAMP, 6MM-12MM	E-18-25	CORD COMP., EMERGENCY	FOP-3-1-9
BRACKET, WIRE CLAMP	F-15-2-15	CLAMP, AIR VENT TUBE	E-18-15	CORD COMP., EMERGENCY	FOP-8-45
BREAKER ASSY.	F-11-20-1	CLAMP, FUEL TUBE	F-7-20-1	COTTER, VALVE(FUJI VALVE)	E-9-19
BRUSH ASSY.	F-11-20-2	CLAMP, HARNESS	F-15-10	COUPLER COMP.	E-18-10-38
BUSH	F-15-1-23	CLAMP, HIGH TENSION CORD	E-20-10-8	COVER	E-18-10-7
BUSH A, COVER LOCK	F-2-19	CLAMP, OIL HOSE	E-18-1	COVER	E-18-10-25
BUSH, LOWER CYLINDER	F-10-12	CLAMP, POWER TILT CORD	F-15-32	COVER ASSY.	FOP-4-4-11
BUSH, MOTOR CODE	F-10-11	CLAMP, SHIFT CABLE	FOP-8-51	COVER ASSY., ENGINE	F-8-10-10
BUSH, MOTOR CODE	FOP-9-12	CLAMP, THROTTLE CABLE	FOP-8-52	COVER ASSY., FUSE(40A)	F-7-4
BUSH, STEERING HANDLE	FOP-8-7	CLAMP, TUBE	FOP-9-8	COVER ASSY., L. ENGINE UNDER	F-8-10
BUSH, SWIVEL CASE	F-11-6	CLAMP, TUBE(7.5-11.5)(BLACK)	E-18-19	COVER ASSY., R. ENGINE UNDER	F-8-9
BUSH, THROTTLE SHAFT	FOP-8-80	CLAMP, TUBE(D29)	E-2-39	COVER ASSY., RR.	E-21-13
BUSH, TILT ARM	F-11-11	CLAMPER, CORD	F-11-20-8	COVER B, GEAR CASE	F-3-11-5
BUSH, UPPER CYLINDER	F-11-20-33	CLIP B1, TUBE	F-3-30-27	COVER COMP.	E-18-10-4
BUSHING	F-15-1-8	CLIP(14MM)	FOP-9-17	COVER KIT, DUST	E-21-17
BUTTON, THROTTLE	F-15-1-9	CLIP, 10.7MM	F-8-25	COVER, A.C. GENERATOR	F-7-30-1
BUTTON, THROTTLE	FOP-4-9	CLIP, 7MM	F-3-24	COVER, CAM THRUST	E-2-4
BUTTON, THROTTLE	FOP-4-2-10	CLIP, COUPLER HOLDER(B)	F-7-20-12	COVER, CYLINDER HEAD	E-2-6
BUTTON, THROTTLE	FOP-4-4-8	CLIP, DETENT	F-15-2-9	COVER, DUAL GRIP	FOP-4-2-8
BUZZER ASSY., WARNING	FOP-8-47	CLIP, EMERGENCY LOCK	F-15-44	COVER, FLUSH VALVE	F-3-30-11
BUZZER COMP., WARNING	F-15-47	CLIP, EMERGENCY LOCK	FOP-3-16	COVER, FR. SEPARATE	F-8-10-7
BUZZER COMP., WARNING	F-15-2-42	CLIP, EMERGENCY LOCK	FOP-3-1-10	COVER, GRIP	F-15-1-6
BUZZER COMP., WARNING	FOP-3-20	CLIP, EMERGENCY LOCK	FOP-8-2	COVER, GRIP	FOP-4-4-4
BUZZER COMP., WARNING	FOP-3-1-13	CLIP, HARNESS BAND(BLACK)	E-3-30	COVER, IMPELLER	F-4-5
<C>		CLIP, HARNESS BAND(BLACK)	F-7-10	COVER, IMPELLER	F-4-1-5
CABLE ASSY. A, LONG HANDLE	FOP-8-35	CLIP, HARNESS BAND(BLACK)	F-7-10-19	COVER, IMPELLER	FOP-1-6
CABLE ASSY., REMOTE CONTROL(B)	F-15-35	CLIP, HARNESS BAND(BLACK)	F-11-20-61	COVER, L. GRIP	FOP-4-5
CABLE ASSY., REMOTE CONTROL(B)	F-15-2-30	CLIP, HARNESS BAND(BLACK)	FOP-2-4-6	COVER, L. LOWER MOUNTING	F-8-14
CABLE ASSY., STARTER	F-7-10-3	CLIP, HARNESS BAND(NATURAL)	E-19-12	COVER, LEVER	F-15-2-6
CABLE ASSY., SWITCH PANEL	FOP-3-9	CLIP, R. BRAKE WIRE	E-18-10-41	COVER, LOCK ARM	FOP-4-4-6
CABLE ASSY., SWITCH PANEL	FOP-3-9	CLIP, ROLLER	F-15-2-74	COVER, OIL PUMP	E-5-2
CABLE ASSY., SWITCH PANEL	FOP-3-9	CLIP, SENSOR HOSE	E-18-21	COVER, POWER TRIM-TILT WIRE	F-15-2-18
CABLE ASSY., SWITCH PANEL(20FT)(NHK MEC)	FOP-3-9	CLIP, TUBE(B10)	E-18-10-46	COVER, POWER TRIM-TILT WIRE(LOOSE PARTS)	F-15-2-75
CABLE ASSY., SWITCH PANEL(25FT)(NHK MEC)	FOP-3-9	CLIP, TUBE(B10)	F-3-30-24	COVER, R. LOWER MOUNTING	F-8-13
CABLE ASSY., SWITCH PANEL(30FT)(NHK MEC)	FOP-3-9	CLIP, TUBE(B12)	E-18-24	COVER, REMOTE CONTROL CABLE	F-2-6
CABLE SET, PANEL INDICATOR	FOP-3-2	CLIP, TUBE(B12)	F-3-30-25	COVER, STARTER TERMINAL	F-7-10-4
CABLE SET, PANEL INDICATOR	FOP-3-2	CLIP, TUBE(B12.5)	F-3-30-26	COVER, THERMOSTAT	E-2-20
CABLE SET, PANEL INDICATOR	FOP-3-2	CLIP, TUBE, 3.5	E-18-27	COVER, UNDER	FOP-8-50
CABLE, SHIFT	FOP-8-32	CLIP, WIRE	E-18-26	COVER, UPPER MOUNT	F-3-30-17
CABLE, THROTTLE	FOP-8-30	CLIP, WIRE HARNESS	F-10-23	COVER, WATER JACKET	E-2-22
CAM A, TILT LIMIT ANGLE	FOP-9-10	CLIP, WIRE HARNESS(6.3MM)	F-15-68	COVER, WATER JACKET	E-18-10-9
CAM B, TILT LIMIT ANGLE	FOP-9-11	CLIP, WIRE HARNESS(GREEN)	F-7-9	CRANKSHAFT	E-7-7
CAMSHAFT COMP.	E-9-3	CLIP, WIRE HARNESS, 25MM	E-2-40	CUP	E-2-15
CAP	FOP-8-61	COIL COMP., IGNITION(1)	E-20-10-2	CYLINDER, TILT	F-11-20-19
CAP ASSY.	F-10-6	COIL COMP., IGNITION(2)	E-20-10-3	<D>	
CAP, BOLT, 6MM	E-2-37	COIL COMP., IGNITION(3)	E-20-10-4	DOWEL PIN, 12X14	E-3-26
CAP, GRIP	FOP-4-7	COLLAR, 6MM	F-2-40		

DOWEL PIN, 14X20	E-3-32	GROMMET, GEAR CASE	F-3-11-6	IMPELLER, PUMP	F-4-1-1
DOWEL PIN, 6X10	E-6-18	GROMMET, POWER TILT SWITCH	FOP-8-63	IMPELLER, PUMP	FOP-1-2
DOWEL PIN, 6X10	E-6-20	GROMMET, POWER TILT SWITCH	FOP-8-64	INJECTOR ASSY., FUEL	E-14-1
DOWEL PIN, 6X10	F-3-25	GROMMET, RELAY BRACKET	F-7-20-15	INSULATOR	E-18-10-28
DOWEL PIN, 6X10	F-3-10-21	GROMMET, REMOTE CONTROL CABLE	F-8-10-4	INSULATOR COMP.	E-18-10-27
DOWEL PIN, 6X10	F-3-11-25	GROMMET, SIDE	FOP-8-75	<J>	
DOWEL PIN, 6X10	F-4-25	GROMMET, SIDE COVER	F-7-30-3	JOINT A, BREATHER	FOP-9-3
DOWEL PIN, 6X10	F-4-1-28	GROMMET, STEERING HANDLE CABLE	FOP-8-3	JOINT ASSY (INLET)	F-6-2
DOWEL PIN, 8X10	E-7-12	GROMMET, TA SENSOR	E-15-10-9	JOINT ASSY (OUTLET)	F-6-3
DRIVER 3, MINUS SCREW(NO.2)	F-13-15	GROMMET, UNDER CASE	E-18-10-40	JOINT SET	E-18-10-6
DRUM ASSY., FREE THROTTLE	F-15-2-26	GROMMET, UNDER CASE	F-7-30-2	JOINT, DRIVE	F-11-20-16
<E>		GROMMET, UNDER CASE	F-8-4	JOINT, FUEL FEED HOSE	E-18-7
E-RING, 10MM	F-4-34	GROMMET, UNDER CASE	F-8-10-3	JOINT, FUEL PIPE	E-14-5
E-RING, 10MM	F-4-1-37	GROMMET, UNDER CASE(C)	F-8-10-5	JOINT, FUEL PIPE	E-18-10-34
E-RING, 10MM	F-11-20-62	GROMMET, VAPOR SEPARATOR	E-14-4	JOINT, FUEL TUBE	E-15-10-3
E-RING, 12MM	F-2-44	GROMMET, WATER CHECK	F-8-15	JOINT, THREE WAY	E-18-18
E-RING, 3MM	F-15-80	GROMMET, WATER TUBE	E-6-8	JOINT, WATER HOSE	F-3-30-9
E-RING, 4MM	F-2-42	GROMMET, WIRE(14)	F-15-2-21	JOINT, WATER MOUTH	F-13-18
E-RING, 4MM	F-8-10-26	GUIDE COMP., AIR	E-15-10-4	<K>	
E-RING, 4MM	F-15-81	GUIDE, HARNESS	FOP-8-76	KEY, SPECIAL WOODRUFF, 25X18	E-7-9
E-RING, 4MM	FOP-8-106	GUIDE, OUTER TUBE	F-11-20-18	KEY, WOODRUFF	F-4-24
E-RING, 6MM	F-2-43	GUIDE, SPRING	F-11-20-28	KEY, WOODRUFF	FOP-1-14
E-RING, 6MM	FOP-4-36	GUIDE, SPRING	FOP-8-59	KEY, WOODRUFF, 25X14	E-7-13
E-RING, 6MM	FOP-4-2-41	GUIDE, THROTTLE HARNESS	FOP-8-69	KIT, CABLE(NMEA)(6FT)	FOP-2-4-1
E-RING, 6MM	FOP-4-4-28	<H>		KNOB, RECOIL STARTER	F-13-1
E-RING, 6MM(LOOSE PARTS)	F-15-2-68	HANDLE KIT, STEERING (US)	FOP-8-1	<L>	
E-RING, 7MM	F-15-82	HANDLE, REMOTE CONTROL	F-15-3	LABEL, CAUTION OIL	F-12-10
E-RING, 7MM	FOP-8-107	HANDLE, REMOTE CONTROL	F-15-1-2	LABEL, CAUTION OPERATOR	F-12-11
<F>		HANDLE, REMOTE CONTROL	FOP-4-4	LABEL, FUSE	F-12-2
FILTER	E-2-13	HANDLE, REMOTE CONTROL	FOP-4-2-5	LABEL, SIGP	F-15-2-48
FLOAT	E-2-14	HANDLE, REMOTE CONTROL	FOP-4-4-3	LAMP ASSY., INDICATION	F-15-45
FLOAT SET	E-18-10-2	HANGER, ENGINE	E-3-3	LAMP ASSY., INDICATION	F-15-2-40
FRAME ASSY., REMOTE CONTROL	F-15-1-10	HARNESS ASSY., MAIN WIRE	F-7-1	LAMP ASSY., INDICATION(4-LED)	FOP-3-18
FRAME ASSY., SHIFT	FOP-8-34	HARNESS ASSY., POWER TRIM-TILT	F-15-1-27	LAMP ASSY., INDICATION(4-LED)	FOP-3-1-11
FRAME ASSY., THROTTLE SUB	FOP-8-70	HARNESS ASSY., REMOTE CONTROL	FOP-2-4-2	LAMP ASSY., INDICATOR	FOP-8-46
FRAME, MOUNT	F-11-1	HARNESS ASSY., SWITCH PANEL	FOP-3-8	LEVER SET, SHIFT	E-21-18
FRAME, THROTTLE	FOP-8-58	HARNESS ASSY., SWITCH PANEL	FOP-3-1-4	LEVER, FASTENER	F-8-7
FUSE, BLADE(40A)	F-7-3	HARNESS COMP.	E-18-10-39	LEVER, FASTENER	F-8-10-12
FUSE, MINI(10A)	F-7-11	HARNESS, TROLLING CONTROL	F-7-40-5	LEVER, FREE THROTTLE	F-15-2-28
FUSE, MINI(15A)	F-7-12	HEAD COMP., CYLINDER	E-2-2	LEVER, FRICTION	FOP-8-6
FUSE, MINI(30A)	F-7-13	HOLDER	E-18-10-8	LEVER, HAND	F-15-2-3
<G>		HOLDER ASSY., BRUSH	E-21-11	LEVER, HANDLE LOCK	F-15-4
GASKET B, IMPELLER	F-4-1-6	HOLDER, EX. PIPE GROMMET	F-3-1	LEVER, HANDLE LOCK	F-15-1-3
GASKET B, IMPELLER	FOP-1-8	HOLDER, NEUTRAL LOCK	F-15-2-20	LEVER, IDLE	F-15-23
GASKET KIT(BF60)	EOP-1-1	HOLDER, NEUTRAL LOCK	FOP-4-4-14	LEVER, SHIFT	FOP-8-33
GASKET, CYLINDER HEAD	E-2-5	HOLDER, OIL FILTER	E-3-18	LIFTER, FUEL PUMP	E-2-11
GASKET, EX. PIPE	E-6-7	HOLDER, PROPELLER SHAFT	F-5-12	LIMIT KIT, TILT	FOP-9-1
GASKET, IMPELLER	F-4-6	HOLDER, PROPELLER SHAFT	F-5-1-12	LINE COMP., FUEL	E-14-3
GASKET, IMPELLER	FOP-1-7	HOLDER, SEAL	F-2-17	LINER, PUMP	F-4-3
GASKET, MOUNT CASE	E-6-10	HOLDER, SHIFT ROD	F-4-13	LINER, PUMP	F-4-1-3
GASKET, WATER PUMP	F-4-1-8	HOLDER, SWITCH	FOP-8-81	LINER, PUMP	FOP-1-4
GASKET, WATER PUMP	FOP-1-9	HOLDER, WATER TUBE SEAL	F-4-4	LINER, SWIVEL CASE	F-11-4
GAUGE COMP., OIL LEVEL	E-6-5	HOLDER, WATER TUBE SEAL	F-4-1-4	LINK, THROTTLE	F-2-3
GEAR ASSY., INTERNAL	E-21-16	HOLDER, WATER TUBE SEAL	FOP-1-5	LINKAGE, PIVOT	F-2-1
GEAR ASSY., SHIFT	F-15-2-23	HOSE COMP., FUEL	E-18-9	LOW PERMEATION HOSE L=1600	F-6-7
GEAR COMP., FR. BEVEL(28T)	F-5-1-8	HOUSING	FOP-8-49	LOW PERMEATION HOSE L=700	F-6-6
GEAR COMP., FR. BEVEL(29T)	F-5-8	HOUSING ASSY., INNER	F-15-1-22	<M>	
GEAR, DRIVE	F-15-2-24	HOUSING ASSY., L. INNER	FOP-4-3	MANIFOLD COMP., INLET	E-14-10
GEAR, PINION(12T)	F-4-1-18	HOUSING ASSY., L. INNER	FOP-4-2-3	MARK, CHANGE	FOP-8-28
GEAR, PINION(14T)	F-4-17	HOUSING ASSY., R. INNER	FOP-4-2-4	MARK, EMBLEM	F-15-2-47
GEAR, PLANET	E-21-5	HOUSING ASSY., R. INNER	FOP-4-4-2	MARK, EMERGENCY START(ENGLISH)	F-12-12
GEAR, RR. BEVEL(28T)	F-5-1-9	HOUSING ASSY., REMOTE CONTROL	F-15-1-7	MARK, EMERGENCY STOP(US)	F-15-2-44
GEAR, RR. BEVEL(29T)	F-5-9	HOUSING COMP., REMOTE CONTROL	F-15-11	MARK, EMERGENCY STOP(US)(LOOSE PARTS)	F-15-2-45
GEAR, SHIFT	FOP-8-67	HOUSING COMP., REMOTE CONTROL	F-15-12	MARK, EMERGENCY SWITCH	FOP-8-10
GENERATOR ASSY., A.C.	E-19-1	HOUSING COMP., REMOTE CONTROL	FOP-4-13	MARK, FAST IDLE	F-15-50
GENERATOR ASSY., A.C.	E-19-1	HOUSING COMP., REMOTE CONTROL	FOP-4-2-14	MARK, FAST IDLE	F-15-2-43
GRIP	F-15-2-5	HOUSING, FR.	F-15-2-12	MARK, FLUSH MOUNT	FOP-4-4-19
GRIP ASSY., THROTTLE FRICTION	FOP-8-79	HOUSING, IMPELLER	F-4-2	MARK, FR. EMBLEM(TO'HATSU)	F-12-16
GRIP, REMOTE CONTROL HANDLE	F-15-5	HOUSING, IMPELLER	F-4-1-2	MARK, HANDLE FLUSH MOUNT	FOP-4-4-18
GRIP, REMOTE CONTROL HANDLE	F-15-1-4	HOUSING, IMPELLER	FOP-1-3	MARK, L. SIDE STRIPE	F-12-15
GRIP, REMOTE CONTROL HANDLE	FOP-4-6	HOUSING, IMPELLER	FOP-4-14	MARK, POWER THRUST	F-12-7
GRIP, REMOTE CONTROL HANDLE	FOP-4-2-7	HOUSING, LEAD	FOP-4-2-15	MARK, R. SIDE STRIPE	F-12-14
GRIP, SCREW DRIVER	F-13-16	HOUSING, LEAD	FOP-4-2-15	MARK, REMOTE CONTROL(A)(PANEL)	F-15-1-31
GROMMET	F-15-1-15	HOUSING, LOWER CENTER MOUNTING	F-11-2	MARK, REMOTE CONTROL(B)	F-15-1-32
GROMMET	FOP-8-55	HOUSING, LOWER MOUNTING	F-3-8	MARK, REMOTE CONTROL(C)	F-15-1-32
GROMMET, AIR GUIDE	E-15-10-7	HOUSING, REMOTE CONTROL BOX(B)	F-15-1-12	MARK, REMOTE CONTROL(DUAL)	FOP-4-2-24
GROMMET, C.D.I. UNIT CASE(B)	F-7-20-5	HOUSING, REMOTE CONTROL BOX(C)	F-15-13	MARK, REMOTE CONTROL(SINGLE)	FOP-4-21
GROMMET, ELECTRONIC PARTS CASE	E-20-10-1	HOUSING, REMOTE CONTROL BOX(C)	F-15-1-14	MARK, RR.	F-12-13
GROMMET, ELECTRONIC PARTS CASE	F-7-20-4	HOUSING, RR.	F-15-2-13	MARK, STARTER(ENGLISH)	FOP-8-11
GROMMET, EX. PIPE	F-3-2	HOUSING, WATER PUMP	F-4-1-7	MARK, THROTTLE(ENGLISH)	FOP-8-29
GROMMET, EXTENSION CASE	F-3-5	HOUSING, WATER SEAL	F-4-16	METAL COMP., ANODE	F-3-10-8
GROMMET, GEAR CASE	F-3-10-4	<I>		METAL COMP., ANODE	F-3-11-10
GROMMET, GEAR CASE	F-3-11-4	IMPELLER, PUMP	F-4-1		

METAL KIT, ANODE .....	F-10-1	O-RING .....	F-3-11-31	PIN, SHIFTER, 6.3X33 .....	F-5-2
METAL, ANODE .....	E-2-1	O-RING .....	F-4-1-33	PIN, SHIFTER, 8X47 .....	F-5-1-2
METAL, ANODE .....	E-3-6	O-RING, 1.5X3.5 .....	F-11-20-49	PIN, SLIDE .....	FOP-8-66
METAL, JOINT .....	F-11-20-15	O-RING, 1.5X6.5 .....	F-11-20-48	PIN, SNAP, 6MM .....	F-2-32
METER LEAD WIRE .....	FOP-2-1-6	O-RING, 1.8X10.8 .....	F-11-20-55	PIN, SPLIT, 4.0 .....	F-3-10-22
MOTOR ASSY., POWER TILT .....	F-11-20-5	O-RING, 1.8X69.6 .....	F-11-20-47	PIN, SPLIT, 4.0 .....	F-3-11-26
MOTOR ASSY., STARTER .....	E-2-1	O-RING, 1.9X15.8 .....	F-11-20-59	PIN, SPLIT, 4.0 .....	F-5-20
MOUNT COMP., LOWER RUBBER .....	F-3-9	O-RING, 13X3.0 .....	E-6-19	PIN, SPLIT, 4.0 .....	F-5-1-18
MOUNT COMP., UPPER RUBBER .....	F-3-30-16	O-RING, 15.54X2.26 .....	F-10-25	PIN, SPRING, 2.0X12 .....	F-8-26
<N>		O-RING, 15X1.9 .....	E-2-46	PIN, SPRING, 2.5X20 .....	F-11-32
NIPPLE, GREASE .....	F-11-33	O-RING, 15X1.9 .....	E-19-11	PIN, SPRING, 2.5X8 .....	F-10-24
NIPPLE, SENSOR .....	F-13-5	O-RING, 16MM .....	F-3-30-29	PIN, UPPER CYLINDER .....	F-11-20-35
NIPPLE, SENSOR .....	FOP-9-7	O-RING, 2.0X28.5 .....	F-11-20-57	PINION ASSY. ....	E-21-4
NUT(1/4X20) .....	F-15-1-41	O-RING, 2.0X34.5 .....	F-11-20-58	PIPE COMP., EX. ....	E-6-6
NUT, 5MM .....	F-15-2-59	O-RING, 2.0X45.5 .....	F-11-20-56	PIPE, HARNESS GUIDE .....	F-15-33
NUT, 6MM(LOOSE PARTS) .....	F-15-2-57	O-RING, 2.0X49.5 .....	F-11-20-52	PIPE, OIL STRAINER .....	E-6-4
NUT, CASTLE, 16MM .....	F-5-15	O-RING, 2.0X52.5 .....	F-11-20-51	PIPE, THREE WAY JOINT .....	E-18-10-37
NUT, CASTLE, 18MM .....	F-5-1-14	O-RING, 2.0X55.5 .....	F-11-20-50	PIPE, THROTTLE GRIP .....	FOP-8-84
NUT, CLIP .....	F-8-23	O-RING, 2.4X15.8 .....	F-11-20-60	PISTON .....	E-7-2
NUT, FLANGE CAP, 8MM .....	E-3-24	O-RING, 2.4X41.2 .....	F-11-20-54	PIVOT, SHIFT .....	F-2-13
NUT, FLANGE, 10MM .....	F-3-30-22	O-RING, 20.6X1.9 .....	FOP-8-103	PIVOT, SHIFT .....	F-15-18
NUT, FLANGE, 10MM .....	F-10-18	O-RING, 21.2X2.4(ARAI) .....	E-5-8	PIVOT, SHIFT SLIDE .....	F-2-14
NUT, FLANGE, 5MM .....	FOP-3-3	O-RING, 26.9X2.4(NOK) .....	F-2-38	PLATE .....	E-18-10-11
NUT, FLANGE, 5MM .....	FOP-3-1-2	O-RING, 26X2.7 .....	E-2-42	PLATE ASSY. ....	F-15-2-2
NUT, FLANGE, 6MM .....	F-7-20-23	O-RING, 3.5X41.7 .....	F-11-20-53	PLATE COMP., SLIDING .....	F-15-16
NUT, FLANGE, 8MM .....	E-14-21	O-RING, 31.2X2.4 .....	E-2-44	PLATE COMP., THROTTLE .....	F-2-4
NUT, HEX., 12MM .....	F-10-27	O-RING, 33.7X3.5 .....	F-3-10-28	PLATE, AIR GUIDE .....	E-15-10-5
NUT, HEX., 12MM .....	FOP-8-18	O-RING, 33.7X3.5 .....	F-4-30	PLATE, BALL GUIDE .....	FOP-8-68
NUT, HEX., 12MM .....	FOP-8-27	O-RING, 46.8X2.2(NOK) .....	E-2-43	PLATE, CABLE CLAMP .....	FOP-4-11
NUT, HEX., 16MM .....	F-4-1-22	O-RING, 5.1X2.2(ARAI) .....	E-3-28	PLATE, CABLE CLAMP .....	FOP-4-2-12
NUT, HEX., 16MM .....	F-8-24	O-RING, 58.5X3.5 .....	F-3-10-30	PLATE, CRANK PULSER .....	E-13-3
NUT, HEX., 16MM .....	F-15-55	O-RING, 58.5X3.5 .....	F-4-32	PLATE, DWELL .....	FOP-4-15
NUT, HEX., 16MM .....	F-15-2-58	O-RING, 58.5X3.5 .....	F-4-1-35	PLATE, DWELL .....	FOP-4-2-16
NUT, HEX., 16MM .....	FOP-3-23	O-RING, 58.5X3.5 .....	FOP-1-17	PLATE, DWELL .....	FOP-4-4-10
NUT, HEX., 16MM .....	FOP-3-1-16	O-RING, 6.9X1.45 .....	F-3-10-26	PLATE, FRICTION .....	FOP-8-5
NUT, HEX., 16MM .....	FOP-8-93	O-RING, 6.9X1.45 .....	F-3-10-27	PLATE, HANDLE .....	FOP-4-10
NUT, HEX., 20MM .....	F-7-20-24	O-RING, 6.9X1.45 .....	F-3-11-29	PLATE, HANDLE .....	FOP-4-2-11
NUT, HEX., 4MM .....	F-7-40-8	O-RING, 6.9X1.45 .....	F-3-11-30	PLATE, HARNESS .....	FOP-8-82
NUT, HEX., 4MM .....	FOP-9-21	O-RING, 7.3X2.2 .....	E-14-22	PLATE, LEVER SETTING .....	F-15-9
NUT, HEX., 5MM .....	F-2-41	O-RING, 7.8X1.9(ARAI) .....	E-14-23	PLATE, LOCK .....	F-2-15
NUT, HEX., 5MM .....	F-15-79	O-RING, 7.8X1.9(ARAI) .....	E-18-10-47	PLATE, LOCK .....	FOP-8-53
NUT, HEX., 5MM .....	FOP-4-29	O-RING, 76.5X3 .....	F-3-10-29	PLATE, REMOTE CONTROL .....	F-15-48
NUT, HEX., 5MM .....	FOP-4-35	O-RING, 76.5X3 .....	F-5-25	PLATE, REMOTE CONTROL CABLE .....	F-2-5
NUT, HEX., 5MM .....	FOP-4-2-33	O-RING, 9.5X1.9 .....	E-2-45	PLATE, RUBBER SETTING .....	F-3-10-2
NUT, HEX., 5MM .....	FOP-4-2-34	O-RING, 9.5X1.9 .....	E-3-29	PLATE, RUBBER SETTING .....	F-3-11-2
NUT, HEX., 5MM .....	FOP-4-2-40	O-RING, 94X4.1 .....	F-3-11-32	PLATE, SET .....	F-11-20-34
NUT, HEX., 5MM .....	FOP-9-20	O-RING, 94X4.1 .....	F-5-1-24	PLATE, SHIFT .....	F-5-7
NUT, HEX., 6MM .....	F-15-56	O-RING, PRESSURE REGULATOR .....	E-18-10-33	PLATE, SHIFT .....	F-5-1-7
NUT, HEX., 6MM .....	F-15-78	O-RING, THERMOSTAT COVER .....	E-2-21	PLATE, SHIFT CLAMP .....	FOP-8-74
NUT, HEX., 6MM .....	FOP-4-4-25	O-RING, WATER PUMP .....	F-4-31	PLATE, SHIFT PIVOT .....	F-2-12
NUT, JOINT METAL .....	F-11-20-63	O-RING, WATER PUMP .....	F-4-1-34	PLATE, SPRING SETTING .....	F-15-24
NUT, LOCK, 42MM .....	E-13-12	O-RING, WATER PUMP .....	FOP-1-16	PLATE, STEERING .....	F-11-14
NUT, LOCK, 64MM .....	F-4-1-21	<P>		PLATE, SWITCH .....	F-15-2-36
NUT, NYLON, 5MM .....	FOP-8-94	PACKING .....	E-18-10-13	PLATE, SWITCH .....	FOP-8-44
NUT, SELF-LOCK(3/8-24UNF) .....	F-11-24	PACKING, DUAL .....	FOP-4-2-19	PLATE, TDC PULSER .....	E-9-4
NUT, SELF-LOCK(7/8-14UNF) .....	F-10-17	PACKING, ELECTRONIC AIR .....	E-14-12	PLATE, TIMING BELT GUIDE .....	E-13-2
NUT, SELF-LOCK, 12MM .....	F-3-19	PACKING, EX. WATER JACKET .....	E-2-23	PLATE, WINKER BUZZER .....	F-15-46
NUT, SELF-LOCK, 5MM .....	F-3-10-17	PACKING, FLASH VALVE .....	F-3-30-14	PLATE, WINKER BUZZER .....	F-15-2-41
NUT, SELF-LOCK, 5MM .....	F-3-11-20	PACKING, HEAD COVER .....	E-2-7	PLATE, WINKER BUZZER .....	FOP-3-19
NUT, SELF-LOCK, 6MM .....	F-3-10-15	PACKING, INTAKE MANIFOLD .....	E-14-8	PLATE, WINKER BUZZER .....	FOP-3-1-12
NUT, SELF-LOCK, 6MM .....	F-3-11-18	PACKING, OIL PAN .....	E-6-2	PLUG COMP. ....	F-11-20-25
NUT, SELF-LOCK, 8MM .....	FOP-8-19	PACKING, REGULATOR .....	E-3-10	PLUG, INNER CONNECTOR .....	F-15-36
NUT, SPECIAL(12MM) .....	F-4-21	PACKING, SINGLE .....	FOP-4-18	PLUG, INNER CONNECTOR .....	F-5-2-31
NUT, TAPPET ADJUSTING .....	E-9-21	PACKING, THROTTLE BODY .....	E-14-9	PLUG, INNER CONNECTOR .....	FOP-2-4-3
NUT, WATER MOUTH .....	F-3-30-8	PAD, THROTTLE FRICTION .....	FOP-8-83	PLUG, INNER CONNECTOR .....	FOP-3-10
NUT,(3/8-24 UNF) .....	F-11-22	PANEL ASSY., INDICATOR(4-LED) .....	FOP-3-17	PLUG, INNER CONNECTOR .....	FOP-3-1-5
NUT-WASHER, 8MM .....	F-7-8	PANEL ASSY., SWITCH .....	FOP-3-5	PLUG, INNER CONNECTOR .....	FOP-8-38
NUT-WASHER, 8MM .....	F-7-10-15	PANEL ASSY., TROLLING CONTROL .....	F-7-40-6	PLUG, OUTER CONNECTOR .....	F-15-37
<O>		PANEL KIT, SWITCH(4-LED) .....	FOP-3-1-1	PLUG, OUTER CONNECTOR .....	F-15-2-32
OIL SEAL .....	F-11-20-45	PANEL KIT, SWITCH(B)(4-LED) .....	FOP-3-1	PLUG, OUTER CONNECTOR .....	FOP-2-4-4
OIL SEAL, 14X26X6 .....	F-2-36	PANEL, BACK .....	F-15-2-14	PLUG, OUTER CONNECTOR .....	FOP-3-11
OIL SEAL, 31X46X7(NOK) .....	E-5-7	PANEL, CONTROL .....	FOP-3-6	PLUG, OUTER CONNECTOR .....	FOP-3-1-6
OIL SEAL, 35X52X8(ARAI) .....	E-2-41	PANEL, CONTROL .....	FOP-3-7	PLUG, SPARK(LMAR6C-9) .....	E-2-24
OIL SEAL, 39.5X52X6(ARAI) .....	F-11-34	PANEL, CONTROL .....	FOP-3-1-3	PORT, IDLE EXHAUST .....	F-3-30-4
OIL SEAL, 52X72X8(NOK) .....	E-3-27	PIN, 5X44.5 .....	F-8-10-21	PRIMER BULB .....	F-6-4
O-RING .....	E-2-17	PIN, 5X59 .....	F-8-27	PRIMER BULB ASSY .....	F-6-1
O-RING .....	E-2-18	PIN, 6X6 .....	F-15-65	PROPELLER COMP., THREE BLADES .....	FOP-6-1
O-RING .....	E-14-14	PIN, GEARSHIFT .....	F-15-1-45	PROPELLER COMP., THREE BLADES .....	FOP-6-1
O-RING .....	E-18-10-12	PIN, LINK .....	F-2-33	PROPELLER COMP., THREE BLADES .....	FOP-6-1
O-RING .....	E-18-10-14	PIN, LINK .....	F-2-35	PROPELLER COMP., THREE BLADES .....	FOP-6-1
O-RING .....	E-18-10-15	PIN, LOCK, 6MM .....	F-15-64	PROPELLER COMP., THREE BLADES .....	FOP-6-1
O-RING .....	E-18-10-16	PIN, PISTON .....	E-7-3	PROPELLER COMP., THREE BLADES .....	FOP-6-1
O-RING .....	E-18-10-18	PIN, SHIFT LINK .....	F-2-34	PROPELLER COMP., THREE BLADES .....	FOP-6-1

PROPELLER COMP., THREE BLADES	FOP-6-1	SCREW, 4X6	F-15-2-50	SEAL, WATER, 30X45X7	F-3-11-27
PROPELLER COMP., THREE BLADES	FOP-6-1	SCREW, 5X10	F-15-2-51	SEAL, WATER, 30X45X7	F-5-1-23
PROPELLER COMP., THREE BLADES	FOP-6-1	SCREW, 5X12	F-15-2-53	SEAT B, VALVE	F-11-20-30
PROPELLER COMP., THREE BLADES	FOP-6-1	SCREW, 5X18	F-15-2-49	SEAT, VALVE SPRING	E-9-18
PROPELLER COMP., THREE BLADES	FOP-6-1	SCREW, 6X90(LOOSE PARTS)	F-15-2-54	SEAT, WATER MOUTH	F-3-30-10
PROPELLER COMP., THREE BLADES	FOP-6-1	SCREW, 6X95	F-15-54	SENSOR ASSY., AIR TEMP.	E-15-10-8
PULLER, MINI FUSE(SUMITOMO)	F-13-4	SCREW, FLAT, 5X12	F-15-53	SENSOR ASSY., CRANK	E-19-5
PULLEY, TIMING BELT DRIVE(19T)	E-13-1	SCREW, FLAT, 5X14	FOP-8-89	SENSOR ASSY., MAP	E-14-13
PULLEY, TIMING BELT DRIVEN	E-13-4	SCREW, FLAT, 5X37	F-3-10-12	SENSOR ASSY., TDC	E-2-27
PUMP	F-11-20-17	SCREW, FLAT, 5X55	F-3-11-12	SENSOR ASSY., TRIM ANGLE	F-10-2
PUMP ASSY., FUEL	E-2-10	SCREW, FRICTION	F-15-1-36	SENSOR ASSY., WATER	E-2-26
PUMP ASSY., OIL	E-5-1	SCREW, PAN	E-18-10-21	SENSOR ASSY., WATER	E-3-13
PUMP KIT, IMPELLER	FOP-1-1	SCREW, PAN, 4X10	FOP-4-26	SENSOR, OXYGEN	E-2-25
PUMP KIT, IMPELLER	FOP-1-1	SCREW, PAN, 4X10	FOP-4-2-29	SEPARATOR ASSY., VAPOR	E-18-10-30
PUMP UNIT, FUEL	E-18-10-31	SCREW, PAN, 4X14	FOP-9-18	SHAFT ASSY., PROPELLER	F-5-10
<R>		SCREW, PAN, 5X10	F-15-72	SHAFT ASSY., PROPELLER	F-5-1-10
RECTIFIER ASSY., REGULATOR	E-3-8	SCREW, PAN, 5X10	FOP-4-23	SHAFT ASSY., THROTTLE	FOP-8-57
REGULATOR ASSY., PRESSURE	E-18-10-32	SCREW, PAN, 5X10	FOP-4-2-26	SHAFT COMP., ROCKER	E-9-9
RELAY ASSY., MAIN	F-7-5	SCREW, PAN, 5X14	FOP-8-105	SHAFT COMP., SHIFT	F-2-18
RELAY ASSY., POWER TILT	F-7-20-13	SCREW, PAN, 5X16	FOP-4-22	SHAFT COMP., TILT	F-10-10
RESERVOIR	F-11-20-36	SCREW, PAN, 5X16	FOP-4-2-25	SHAFT, GEAR SHIFT	F-15-1-19
RETAINER	F-15-1-13	SCREW, PAN, 5X16	FOP-4-4-20	SHAFT, HANDLE	F-15-1-17
RETAINER, VALVE SPRING	E-9-17	SCREW, PAN, 5X18	FOP-4-25	SHAFT, PINION	E-21-15
RING	E-18-10-29	SCREW, PAN, 5X18	FOP-4-2-28	SHAFT, PROPELLER	F-5-11
RING SET, PISTON(STD.)(RIKEN)	E-7-1	SCREW, PAN, 5X20	E-2-47	SHAFT, PROPELLER(POWER THRUST)	F-5-1-11
RING, BACKUP	E-18-10-17	SCREW, PAN, 5X20	F-11-20-42	SHAFT, SWIVEL	F-11-9
RING, CROSS PIN	F-5-3	SCREW, PAN, 5X20	FOP-4-24	SHAFT, THROTTLE BUTTON	FOP-4-4-9
RING, CROSS PIN	F-5-1-3	SCREW, PAN, 5X20	FOP-4-2-27	SHAFT, VERTICAL(L)	F-4-14
RING, SEAL	E-14-2	SCREW, PAN, 5X20	FOP-9-19	SHAFT, VERTICAL(L)	F-4-1-16
RING, STOPPER	F-4-12	SCREW, PAN, 5X30	FOP-4-4-22	SHIFTER, CLUTCH	F-5-1
RING, STOPPER	F-4-1-14	SCREW, PAN, 5X40	FOP-3-22	SHIFTER, CLUTCH(POWER THRUST)	F-5-1-1
ROD A COMP., SHIFT(L)	F-4-1-11	SCREW, PAN, 5X40	FOP-3-1-15	SHIM A, BEVEL(FR.)(0.10)	F-5-1-17
ROD A COMP., SHIFT(L)	F-4-1-13	SCREW, PAN, 5X40	FOP-4-28	SHIM A, GEAR(0.10)	F-4-1-26
ROD COMP., ADJUSTING	F-10-7	SCREW, PAN, 5X40	FOP-4-2-31	SHIM B, BEVEL(FR.)(0.15)	F-5-1-17
ROD COMP., CONNECTING	E-7-5	SCREW, PAN, 5X55	FOP-4-2-32	SHIM B, GEAR(0.15)	F-4-1-26
ROD COMP., PISTON	F-11-20-14	SCREW, PAN, 5X65	FOP-4-34	SHIM C, BEVEL(FR.)(0.30)	F-5-1-17
ROD COMP., SHIFT	F-4-9	SCREW, PAN, 5X65	FOP-4-2-39	SHIM C, GEAR(0.30)	F-4-1-26
ROD COMP., SHIFT(L)	F-4-1-11	SCREW, PAN, 6X10	F-15-52	SHIM D, BEVEL(FR.)(0.50)	F-5-1-17
ROD COMP., THROTTLE	F-2-2	SCREW, PAN, 6X18	E-3-31	SHIM D, GEAR(0.50)	F-4-1-26
ROD KIT, STEERING	FOP-8-10-1	SCREW, PAN, 6X18	FOP-4-27	SHIM, FR. BEVEL(A)(51X57X0.10)	F-5-19
ROD, STEERING	F-11-15	SCREW, PAN, 6X18	FOP-4-2-30	SHIM, FR. BEVEL(B)(51X57X0.15)	F-5-19
ROD, STEERING	F-11-16	SCREW, PAN, 6X35	FOP-4-4-23	SHIM, FR. BEVEL(C)(51X57X0.30)	F-5-19
ROD, STEERING	FOP-8-10-2	SCREW, PAN, 6X8	F-3-17	SHIM, FR. BEVEL(D)(51X57X0.50)	F-5-19
ROLLER	F-15-2-70	SCREW, PAN, 6X8	F-11-20-41	SHIM, GEAR(A)(40X46X0.10)	F-4-23
ROLLER	FOP-8-65	SCREW, PAN, 6X8	FOP-9-14	SHIM, GEAR(B)(40X46X0.15)	F-4-23
ROLLER, 3X12.8	F-5-23	SCREW, RIVET, 5X10	F-8-22	SHIM, GEAR(C)(40X46X0.30)	F-4-23
ROLLER, 3X12.8	F-5-1-22	SCREW, RIVET, 5X10	FOP-9-15	SHIM, GEAR(D)(40X46X0.50)	F-4-23
ROLLER, 4X8	E-9-22	SCREW, TAPPET ADJUSTING	E-9-14	SLEEVE COMP.	F-11-20-24
ROLLER, 5X8	E-5-9	SCREW, TAPPING, 5X10	F-15-74	SLIDER COMP., SHIFT	F-5-4
ROLLER, CAM	FOP-8-72	SCREW, TAPPING, 5X12	F-15-75	SLIDER COMP., SHIFT	F-5-1-4
ROLLER, CLICK	F-15-67	SCREW, TAPPING, 5X20	E-15-10-11	SLIDER, SHIFT	F-5-5
ROLLER, DRIVE GEAR CAM	F-15-2-69	SCREW, TAPPING, 5X25	F-15-77	SLIDER, SHIFT(POWER THRUST)	F-5-1-5
ROLLER, FREE THROTTLE	F-15-2-73	SCREW, TAPPING, 5X8	F-15-73	SLINGER, OIL	F-4-15
ROLLER, PLATE	FOP-8-71	SCREW, TAPPING, 6X16	F-15-76	SLINGER, OIL	F-4-1-17
ROLLER, SHIFT CLICK	F-15-1-47	SCREW, TAPPING, 6X30	FOP-4-4-24	SPACER	FOP-8-56
ROPE, RECOIL STARTER	F-13-2	SCREW, TRUSS, 4X12	FOP-4-4-21	SPACER KIT, REMOTE CONTROL BOX	FOP-4-2
ROTOR	E-19-2	SCREW, WASHER	E-18-10-22	SPACER KIT, REMOTE CONTROL BOX	FOP-4-2-2
RUBBER, CUSHION	F-8-11	SCREW,(M4X16)	E-21-3	SPACER(1)(LOOSE PARTS)	F-15-2-10
RUBBER, FENDER MOUNTING	F-8-6	SCREW-WASHER	E-18-10-19	SPACER(2)(LOOSE PARTS)	F-15-2-67
RUBBER, FENDER MOUNTING	F-8-10-9	SCREW-WASHER	E-18-10-20	SPACER, 10MM	F-5-13
RUBBER, GRIP	FOP-8-86	SCREW-WASHER	F-11-20-38	SPACER, CABLE CLAMP	F-15-34
RUBBER, MOUNT CASE SEAL	F-3-30-15	SEAL A, COVER UNDER	F-3-30-18	SPACER, CABLE CLAMP	FOP-4-17
RUBBER, OIL PUMP	F-3-30-2	SEAL A, VALVE STEM(NOK)	E-9-1	SPACER, CABLE CLAMP	FOP-4-2-18
RUBBER, RING	E-2-49	SEAL B, COVER UNDER	F-3-10	SPACER, CABLE CLAMP	FOP-4-4-13
RUBBER, TROLLING CONTROL	F-7-40-2	SEAL B, VALVE STEM(NOK)	E-9-2	SPACER, CLICK SPRING	F-15-28
RUBBER, WATER TUBE SEAL	F-4-8	SEAL SET	E-18-10-10	SPACER, NEUTRAL SWITCH	F-15-31
RUBBER, WATER TUBE SEAL	F-4-1-10	SEAL, ENGINE COVER	F-8-10-11	SPACER, REMOTE CONTROL BOX	F-15-27
RUBBER, WATER TUBE SEAL	FOP-1-10	SEAL, RR. UNDER COVER	F-8-12	SPOOL COMP.	F-11-20-23
<S>		SEAL, RUBBER	F-15-2-19	SPRING	FOP-8-62
SCREEN COMP., FUEL STRAINER	E-18-10-35	SEAL, WATER	F-11-20-46	SPRING COMP., CLICK	F-2-9
SCREEN, L. WATER	F-3-10-6	SEAL, WATER CHECK GROMMET	F-8-16	SPRING COMP., TIMING BELT	E-13-8
SCREEN, L. WATER	F-3-11-8	SEAL, WATER(14X26X8)	F-2-37	SPRING(1)	F-15-2-27
SCREEN, R. WATER	F-3-10-5	SEAL, WATER, 12X21X6	F-3-10-25	SPRING(2)	F-15-2-8
SCREEN, R. WATER	F-3-11-7	SEAL, WATER, 12X21X6	F-3-11-28	SPRING, ACCELERATOR WHEEL	F-15-22
SCREW A	F-15-1-33	SEAL, WATER, 12X21X6	F-4-29	SPRING, ADJUSTING ROD	F-10-9
SCREW B	F-15-1-34	SEAL, WATER, 12X21X6	F-4-1-32	SPRING, CHOKE RETURN	F-15-26
SCREW C	F-15-1-35	SEAL, WATER, 17X26X7	F-3-30-28	SPRING, CLICK ASSIST.	F-2-10
SCREW SET	E-15-1	SEAL, WATER, 17X36X6	F-3-10-23	SPRING, COMPRESSION	E-18-10-36
SCREW SET, DRAIN	E-18-10-5	SEAL, WATER, 17X36X6	F-4-28	SPRING, DETENT	F-15-2-29
SCREW(10-32X3/8)	F-15-1-39	SEAL, WATER, 22X35X7	F-3-10-24	SPRING, EX. VALVE	E-9-16
SCREW(10-32X5/8)	F-15-1-40	SEAL, WATER, 22X35X7	F-5-24	SPRING, FLUSH VALVE	F-3-30-12
SCREW(8-32X3/8)	F-15-1-38	SEAL, WATER, 23X36X6	F-4-1-31	SPRING, GEAR SHIFT	F-15-1-20
SCREW, 4X10	F-15-2-52	SEAL, WATER, 23X36X6	FOP-1-15	SPRING, IN. VALVE	E-9-15



SPRING, MOTOR	F-11-20-10	TUBE C, AIR VENT	E-18-4	WASHER, PLAIN, 12MM	F-10-22
SPRING, NEUTRAL LOCK ARM	FOP-4-4-7	TUBE C, FUEL	E-18-14	WASHER, PLAIN, 12MM	FOP-8-24
SPRING, RELIEF VALVE	E-5-4	TUBE C, WATER	F-3-30-7	WASHER, PLAIN, 12MM	FOP-8-25
SPRING, REMOTE CONTROL HANDLE	F-15-8	TUBE COMP. A, BREATHER	E-15-10-1	WASHER, PLAIN, 18.5MM	F-5-1-16
SPRING, REMOTE CONTROL HANDLE	F-15-1-5	TUBE COMP. A, FUEL	E-18-11	WASHER, PLAIN, 4MM	F-15-57
SPRING, SHIFT	F-5-6	TUBE COMP. B, BREATHER	E-15-10-2	WASHER, PLAIN, 4MM	FOP-9-16
SPRING, SHIFT CLICK	F-15-25	TUBE COMP. B, FUEL	E-18-12	WASHER, PLAIN, 5MM	F-15-58
SPRING, SHIFT CLICK	F-15-1-24	TUBE COMP, DRAIN	E-18-2	WASHER, PLAIN, 5MM	F-15-59
SPRING, SHIFT ROD	F-4-10	TUBE D, AIR VENT	E-18-5	WASHER, PLAIN, 5MM	FOP-3-25
SPRING, SHIFT ROD	F-4-1-12	TUBE D, FUEL	E-18-13	WASHER, PLAIN, 5MM	FOP-3-1-18
SPRING, SHIFT(POWER THRUST)	F-5-1-6	TUBE E, AIR VENT	E-18-6	WASHER, PLAIN, 5MM	FOP-4-31
SPRING, TILT LEVER	F-11-10	TUBE KIT, SPEED SENSOR	FOP-9-2	WASHER, PLAIN, 5MM	FOP-4-33
SPRING, VALVE	F-11-20-31	TUBE, 5X530	FOP-9-22	WASHER, PLAIN, 5MM	FOP-4-2-36
STATOR	E-19-3	TUBE, 5X950	FOP-9-23	WASHER, PLAIN, 5MM	FOP-4-2-38
STATOR	E-19-3	TUBE, CORD, 30MM	FOP-8-104	WASHER, PLAIN, 6MM	F-2-26
STAY	FOP-8-73	TUBE, CORRUGATE(28MM)	F-15-1	WASHER, PLAIN, 6MM	F-4-1-24
STAY, FUEL STRAINER	E-14-7	TUBE, FLUSH VALVE	F-3-30-30	WASHER, PLAIN, 6MM	F-11-27
STAY, POWER TILT SWITCH	F-8-3	TUBE, FUEL, 5.3X35	E-18-28	WASHER, PLAIN, 6MM	F-15-60
STOPPER SET, WASHER	E-21-9	TUBE, FUEL, 8X130	F-3-30-32	WASHER, PLAIN, 6MM	FOP-4-4-27
STOPPER, ENGINE SIDE	F-3-30-1	TUBE, OIL	E-2-8	WASHER, PLAIN, 6MM	FOP-8-10-4
STOPPER, ROD	F-10-8	TUBE, OUTER	F-11-20-32	WASHER, PLAIN, 8MM	E-6-16
STOPPER, SHIFT	FOP-8-54	TUBE, PRESSURE REGULATOR	E-18-8	WASHER, PLAIN, 8MM	F-2-30
STOPPER, TILT	F-11-13	TUBE, SPIRAL	FOP-9-6	WASHER, PLAIN, 8MM	F-3-21
STRAINER ASSY., FUEL	E-2-12	TUBE, SPIRAL(12X14.6)	F-11-20-4	WASHER, PLAIN, 8MM	F-3-10-19
STRAINER COMP, FUEL	E-18-17	TUBE, WATER(L)	F-4-7	WASHER, PLAIN, 8MM	F-3-11-22
STRAINER COMP, OIL	E-6-3	TUBE, WATER(L)(POWER THRUST)	F-4-1-9	WASHER, PLAIN, 8MM	F-7-10-17
SUB HARNESS ASSY., POWER	FOP-4-19	<V>		WASHER, PLAIN, 8MM	F-15-62
SUB HARNESS ASSY., POWER	FOP-4-2-20	VALVE ASSY., ELECTRONIC AIR	E-14-11	WASHER, PLATE	FOP-8-98
SUB HARNESS ASSY., POWER	FOP-4-2-21	VALVE COMP.	F-11-20-27	WASHER, PROPELLER THRUST	F-5-17
SUB HARNESS ASSY., POWER	FOP-4-4-16	VALVE COMP. B	F-11-20-22	WASHER, PROPELLER THRUST	F-5-1-15
SUSPENSION, COUPLER	F-7-2	VALVE COMP, MANUAL	F-11-20-26	WASHER, SEAL	F-11-20-43
SUSPENSION, IGNITION COIL	E-20-10-6	VALVE SET	F-11-20-29	WASHER, SEALING, 24MM	E-3-2
SUSPENSION, RELAY	F-7-6	VALVE SET, FLOAT	E-18-10-1	WASHER, SEALING, 6MM	E-3-25
SUSPENSION, STARTER	E-21-19	VALVE, CHECK	E-18-20	WASHER, SEALING, 6MM	E-18-10-45
SUSPENSION, STRAINER	E-2-16	VALVE, EX	E-9-13	WASHER, SHIFT SHAFT	F-2-25
SUSPENSION, WARNING BUZZER	FOP-8-48	VALVE, FLASH	F-3-30-13	WASHER, SIDE, 14MM	F-2-24
SWITCH ASSY., COMBINATION	F-15-39	VALVE, IN	E-9-12	WASHER, SPRING, 4MM	F-7-40-9
SWITCH ASSY., COMBINATION	F-15-2-33	VALVE, RELIEF	E-5-3	WASHER, SPRING, 5MM	FOP-3-26
SWITCH ASSY., COMBINATION	FOP-3-13	<W>		WASHER, SPRING, 5MM	FOP-3-1-19
SWITCH ASSY., COMBINATION	FOP-3-1-7	WASHER	F-15-1-42	WASHER, THRUST	E-7-10
SWITCH ASSY., COMBINATION	FOP-8-39	WASHER	F-15-1-43	WASHER, THRUST	E-9-10
SWITCH ASSY., EMERGENCY STOP	F-15-42	WASHER	FOP-8-95	WASHER, THRUST, 34MM	F-11-26
SWITCH ASSY., EMERGENCY STOP	F-15-1-28	WASHER	FOP-8-97	WASHER, WAVE	F-15-2-66
SWITCH ASSY., EMERGENCY STOP	F-15-2-38	WASHER(3)	F-15-2-61	WASHER, WAVE, 14MM	FOP-8-20
SWITCH ASSY., EMERGENCY STOP	FOP-3-14	WASHER(4)	F-15-2-62	WASHER, WAVE, 26MM	F-10-19
SWITCH ASSY., EMERGENCY STOP	FOP-3-1-8	WASHER(5)	F-15-2-63	WASHER, WAVE, 40MM	F-11-25
SWITCH ASSY., EMERGENCY STOP	FOP-8-41	WASHER(7)(LOOSE PARTS)	F-15-2-65	WHEEL, ACCELERATOR	F-15-21
SWITCH ASSY., MAGNETIC	E-21-14	WASHER, 10MM	F-11-28	WHEEL, CONTROL	F-15-14
SWITCH ASSY., NEUTRAL	F-7-20-9	WASHER, 10MM	FOP-8-22	WHEEL, CONTROL	F-15-1-16
SWITCH ASSY., OIL PRESSURE	E-3-12	WASHER, 12.5X34X5	E-13-13	WIRE, FASTENER	F-8-8
SWITCH ASSY., POWER TILT	F-8-2	WASHER, 13MM	F-2-28	WIRE, FASTENER	F-8-10-13
SWITCH ASSY., POWER TILT	FOP-8-43	WASHER, 14MM	F-2-27	WIRE, LEAD(1.5X116MM)	F-3-7
SWITCH ASSY., POWER TRIM-TILT	F-15-40	WASHER, 17MM	F-5-18	WIRE, LEAD(1.5X116MM)	F-11-20-11
SWITCH ASSY., POWER TRIM-TILT	F-15-1-30	WASHER, 22MM	F-5-16	WRENCH, BOX(10MM)	F-13-10
SWITCH ASSY., POWER TRIM-TILT	F-15-2-35	WASHER, 28MM	F-15-63	WRENCH, PLUG	F-13-9
SWITCH ASSY., POWER TRIM-TILT	FOP-4-20	WASHER, 5MM	FOP-8-99	<Y>	
SWITCH ASSY., POWER TRIM-TILT	FOP-4-2-22	WASHER, 6MM	F-15-61	YOKE ASSY.	E-21-6
SWITCH ASSY., POWER TRIM-TILT	FOP-4-2-23	WASHER, 8MM	F-4-1-25	YOKE COMP.	F-11-20-9
SWITCH ASSY., POWER TRIM-TILT	FOP-4-4-17	WASHER, 8MM	F-15-2-64		
SWITCH ASSY., TILT LIMIT	FOP-9-5	WASHER, 8MM	FOP-1-13		
SWITCH ASSY., TROLLING CONTROL	F-7-40-1	WASHER, 8MM	FOP-8-21		
SWITCH ASSY., TROLLING CONTROL	FOP-8-42	WASHER, 8MM	FOP-8-96		
<T>		WASHER, DRAIN PLUG, 12MM	E-6-17		
TAB, TRIM	F-3-10-7	WASHER, DRAIN PLUG, 20MM	E-2-48		
TAB, TRIM	F-3-11-9	WASHER, IN. WAVE	E-9-11		
TACHOMETER HOUR METER (BLACK)	FOP-2-1-4	WASHER, LOCK, 5MM	FOP-4-30		
TENSIONER COMP., TIMING BELT	E-13-6	WASHER, LOCK, 5MM	FOP-4-2-35		
TERMINAL, CABLE	FOP-4-16	WASHER, LOCK, 5MM	FOP-4-4-26		
TERMINAL, CABLE	FOP-4-2-17	WASHER, LOCK, 6MM	FOP-4-32		
TERMINAL, CABLE	FOP-4-4-12	WASHER, LOCK, 6MM	FOP-4-2-37		
TERMINAL, CABLE(LOOSE PARTS)	F-15-2-25	WASHER, NYLON, 8MM	F-2-29		
THERMOSTAT ASSY.	E-2-19	WASHER, NYLON, 8MM	FOP-8-23		
TIE, CABLE	FOP-2-4-5	WASHER, PIVOT	F-2-8		
TIE, CABLE(NATURAL)(2.4X92)	F-7-20-8	WASHER, PLAIN, 10MM	E-13-14		
TIE, CABLE(NATURAL)(2.4X92)	F-15-38	WASHER, PLAIN, 10MM	F-3-10-20		
TIE, CABLE(NATURAL)(2.4X92)	FOP-3-12	WASHER, PLAIN, 10MM	F-3-11-23		
TRIM METER ASSY (BLACK)	FOP-2-1-1	WASHER, PLAIN, 10MM	F-3-30-23		
TRIM-TILT ASSY., POWER	F-11-20-13	WASHER, PLAIN, 10MM	F-10-20		
TUBE A, AIR VENT	E-18-10-23	WASHER, PLAIN, 12MM	F-3-22		
TUBE A, WATER	F-3-30-5	WASHER, PLAIN, 12MM	F-3-26		
TUBE B, AIR VENT	E-18-10-24	WASHER, PLAIN, 12MM	F-4-22		
TUBE B, CHECK VALVE	E-18-3	WASHER, PLAIN, 12MM	F-4-1-23		
TUBE B, WATER	F-3-30-6	WASHER, PLAIN, 12MM	F-10-21		

# INDEX (Parts Number)

332-70201-0	F-6-8	HCO-94103-05400	FOP-3-1-18	HMG9-91058-681	F-15-66	HSA0-90683-003	E-2-40
3C7-70217-0	F-6-5	HCO-94109-20000	E-2-48	HMJ0-91301-003	E-14-23	HSB0-90602-003	F-8-25
3C7-70220-1	F-6-2	HCO-94111-04500	F-7-40-9	HMJ0-91301-003	E-18-10-47	HSB6-91475-000	F-15-68
3C7-70224-1	F-6-3	HCO-94111-05400	FOP-3-2-6	HMJ0-91308-003	F-3-11-31	HSC2-90649-003	FOP-3-2-4
3FF-70200-4	F-6-1	HCO-94111-05400	FOP-3-1-19	HMJ0-91308-003	F-4-1-33	HSC2-90649-003	FOP-3-1-17
3GF-70211-1	F-6-4	HCO-94301-06100	E-6-20	HMM4-90105-000	F-15-52	HSD2-90705-931	F-2-32
3GF-70240-1	F-6-7	HCO-94301-08100	E-7-12	HMR5-16966-000	E-15-10-3	HSE0-53740-953	E-18-21
3GF-70241-1	F-6-6	HCO-94301-14200	E-3-32	HMT8-18334-770	FOP-3-3	HSJ6-47585-003	E-18-10-41
3PU-72537-0	FOP-2-1-6	HCO-94401-25140	E-7-13	HMT8-18334-770	FOP-3-1-2	HSL9-91507-003	F-7-9
3PV-72571-0	FOP-2-1-1	HCO-94510-14000	F-5-1-25	HMV5-91005-601	F-5-1-19	HSTK-91540-003	FOP-2-4-6
3PV-72637-0	FOP-2-1-4	HCO-94540-03029	F-15-80	HP01-91212-003	E-5-7	HSZ5-91531-003	E-18-27
H341-38403-672	F-15-46	HCO-94540-04029	F-2-42	HP08-14775-000	E-9-18	HV15-90402-003	F-11-20-43
H341-38403-672	F-15-2-41	HCO-94540-04029	F-8-10-26	HP2A-37881-000	E-15-10-9	HZ0G-16446-003	F-7-20-1
H341-38403-672	FOP-3-19	HCO-94540-04029	F-15-81	HPC6-90402-000	E-13-13	HZC0-63515-700	F-8-10-14
H341-38403-672	FOP-3-1-12	HCO-94540-04029	FOP-8-106	HPC9-91331-003	E-5-8	HZE2-90601-000	E-6-17
H355-89217-000	F-13-10	HCO-94540-06029	F-2-43	HPD2-90701-000	E-3-26	HZE3-91201-004	E-2-41
H357-13331-000	E-7-9	HCO-94540-06029	FOP-4-36	HPD6-90430-003	E-18-10-45	HZH8-28461-013	F-13-1
H397-90442-000	E-3-25	HCO-94540-06029	FOP-4-2-41	HPPE-15301-300	E-5-6	HZJ1-91408-810	FOP-8-104
H437-50142-970	F-7-30-3	HCO-94540-06029	FOP-4-4-28	HPFO-91302-003	F-2-38	HZV0-90017-C10	F-2-20
H590-90015-000	E-3-18	HCO-94540-07029	F-15-82	HPFB-15231-003	E-5-3	HZV0-90113-000	F-11-18
H723-90472-000	F-4-22	HCO-94540-07029	FOP-8-107	HPFB-15400-014	E-3-7	HZV0-90113-000	FOP-8-10-3
H723-90472-000	F-4-1-23	HCO-94540-10019	F-4-34	HPG7-16741-005	E-18-10-33	HZV0-90604-000	E-18-24
H750-90628-000	FOP-9-17	HCO-94540-10019	F-4-1-37	HPGK-37835-A01	E-14-14	HZV0-90604-000	F-3-30-25
H763-90681-A01	F-10-23	HCO-94540-10029	F-11-20-62	HPLC-37880-004	E-15-10-8	HZV1-90506-000	FOP-8-20
H766-56113-801	F-11-20-16	HCO-94540-12029	F-2-44	HPM3-14744-000	E-9-14	HZV4-12155-A00	E-2-1
H800-91303-000	F-3-30-29	HCO-95001-55035-40	E-18-28	HPM3-90206-004	E-9-21	HZV4-16910-015	E-18-17
H805-91301-000	E-2-42	HCO-95001-80130-40	F-3-30-32	HPNA-91307-003	E-2-45	HZV4-36182-651	F-15-43
H881-19271-811	F-13-18	HCO-95005-50530-30	FOP-9-22	HPNA-91307-003	E-3-29	HZV4-36182-651	F-15-2-39
H881-90116-000	F-4-19	HCO-95005-50950-30	FOP-9-23	HPNA-91333-003	E-2-46	HZV4-36182-651	FOP-3-15
H881-90116-000	FOP-1-11	HCO-95701-10040-08	E-13-15	HPNA-91333-003	E-19-11	HZV4-36182-651	FOP-3-1-9
H921-15611-000	E-2-9	HCO-96100-60070-00	F-5-27	HPNB-37500-003	E-19-5	HZV4-36182-651	FOP-8-45
H921-17936-000	F-2-8	HCO-96100-60200-00	F-5-1-26	HPPA-90009-E01	E-18-10-42	HZV4-36187-652	F-15-44
H921-50343-300	F-10-9	HCO-96211-06000	F-5-28	HPW5-91204-005	E-3-27	HZV4-36187-652	FOP-3-16
H921-90302-000	F-8-24	HCO-96211-07000	F-5-29	HPWA-11107-300	E-3-2	HZV4-36187-652	FOP-3-1-10
H921-90302-000	F-15-55	HCO-96211-07000	F-5-1-27	HPWA-13111-000	E-7-3	HZV4-36187-652	FOP-8-2
H921-90302-000	F-15-2-58	HCO-96211-11000	F-5-1-28	HPWA-13204-003	E-7-4	HZV4-90302-000	F-3-10-17
H921-90302-000	FOP-3-23	HCO-96220-40080	E-9-22	HPWA-13211-003	E-7-6	HZV4-90302-000	F-3-11-20
H921-90302-000	FOP-3-1-16	HCO-96220-50080	E-5-9	HPWA-13212-003	E-7-6	HZV4-90304-000	F-15-56
H921-90302-000	FOP-8-93	HCO-96300-06014-09	E-5-10	HPWA-13213-003	E-7-6	HZV4-90502-000	F-15-59
H921-90504-010	F-15-60	HCO-96300-06025-09	E-5-11	HPWA-13214-003	E-7-6	HZV4-90502-000	FOP-4-31
H921-90511-000	F-10-20	HCO-96300-08060-09	E-6-21	HPWA-13215-003	E-7-6	HZV4-90502-000	FOP-4-2-36
H921-90512-010	F-15-61	HCO-98200-41000	F-7-11	HPWA-13216-003	E-7-6	HZV4-90506-000	F-11-27
H921-90514-000	F-4-1-25	HCO-98200-41500	F-7-12	HPWA-13217-003	E-7-6	HZV4-90506-000	FOP-8-10-4
H921-90514-000	FOP-3-1-13	HCO-98200-43000	F-7-13	HPWA-13322-003	E-7-8	HZV4-90507-000	E-6-16
H921-90514-000	FOP-8-21	HCO-99003-30000	F-13-15	HPWA-13323-003	E-7-8	HZV4-90507-000	F-3-21
H921-90518-000	F-2-30	HCO-99003-50000	F-13-16	HPWA-13324-003	E-7-8	HZV4-90507-000	F-3-10-19
H921-90518-000	F-15-62	HCO-99008-01600	F-13-17	HPWA-13325-003	E-7-8	HZV4-90507-000	F-3-11-22
H952-32901-770	F-7-20-8	HGE1-17357-670	FOP-9-3	HPWA-13326-003	E-7-8	HZV4-90511-000	F-4-1-24
H952-32901-770	F-15-38	HGET-90429-000	F-2-24	HPWA-13327-003	E-7-8	HZV4-90514-000	F-11-28
H952-32901-770	FOP-3-12	HHA0-32121-003	F-7-10-1	HPWA-13328-003	E-7-8	HZV4-90514-000	FOP-8-22
HCO-92101-04020-4J	F-7-40-7	HHP5-91304-601	FOP-8-103	HPWA-13342-003	E-7-11	HZV4-90603-000	E-18-10-46
HCO-92101-05016-4J	F-15-71	HHW1-90101-671	F-3-11	HPWA-13343-003	E-7-11	HZV4-90603-000	F-3-30-24
HCO-93401-06020-08	F-3-30-31	HHW1-90114-671	F-3-16	HPWA-13344-003	E-7-11	HZV4-90605-000	F-3-30-26
HCO-93500-04014-4J	FOP-9-18	HHW1-90118-671	FOP-8-16	HPWA-13345-003	E-7-11	HZV5-06411-020	F-10-1
HCO-93500-05010-4J	F-15-72	HHW1-90205-670	E-18-23	HPWA-13346-003	E-7-11	HZV5-12155-000	E-3-6
HCO-93500-05014-4J	FOP-8-105	HHW1-90206-671	F-3-10-16	HPWA-13347-003	E-7-11	HZV5-14520-020	E-13-8
HCO-93500-05020-4J	E-2-47	HHW1-90215-671	F-10-16	HPWA-13348-003	E-7-11	HZV5-14522-000	E-13-9
HCO-93500-05020-4J	FOP-9-19	HHW1-90225-670	F-3-11-19	HPWA-14222-004	E-9-5	HZV5-17202-310	F-3-30-3
HCO-93500-05065-4J	FOP-4-34	HKM3-32161-003	FOP-9-4	HPWA-14647-000	E-9-10	HZV5-17838-000	F-2-1
HCO-93500-05065-4J	FOP-4-2-39	HKPC-16472-D50	E-14-2	HPWA-90006-003	E-9-20	HZV5-19210-003	F-4-1
HCO-93500-06018-4J	E-3-31	HKPH-91301-701	E-14-22	HPWC-14711-000	E-9-12	HZV5-19210-003	F-4-1-1
HCO-93901-250J0	F-15-73	HKSV-32501-J00	F-7-3	HPX4-91302-004	E-2-43	HZV5-19210-003	FOP-1-2
HCO-93901-251J0	F-15-74	HKT8-15232-000	E-5-4	HPY3-14647-000	E-9-11	HZV5-19252-000	E-6-8
HCO-93901-252J0	F-15-75	HMB0-91359-000	F-3-10-30	HPY3-17439-A01	E-18-19	HZV5-24102-000	F-5-2
HCO-93903-254G0	E-15-10-11	HMB0-91359-000	F-4-32	HPZ1-12210-004	E-9-1	HZV5-24103-000	F-5-3
HCO-93903-262J0	F-15-76	HMB0-91359-000	F-4-1-35	HPZ1-12211-004	E-9-2	HZV5-24811-010	F-15-3
HCO-93905-255J0	F-15-77	HMB0-91359-000	FOP-1-17	HRB0-14721-000	E-9-13	HZV5-24812-000	F-15-4
HCO-94001-04490-0S	F-7-40-8	HMB1-90655-921	E-18-26	HRGA-14765-000	E-9-17	HZV5-24813-000	F-15-5
HCO-94001-05490-0S	F-2-41	HMB6-61102-631	F-8-6	HRGM-14781-A01	E-9-19	HZV5-24814-010	F-15-6
HCO-94001-05490-0S	FOP-4-35	HMB6-61102-631	F-8-10-9	HRMA-16723-E00	E-18-7	HZV5-24815-010	F-15-7
HCO-94001-05490-0S	FOP-4-2-40	HMB6-91302-830	E-6-19	HRNA-37830-A01	E-14-13	HZV5-24816-000	F-15-8
HCO-94001-05490-0S	FOP-9-20	HMCB-15562-000	E-18-1	HRWC-90017-A01	E-19-8	HZV5-24817-000	F-15-9
HCO-94001-06490-0S	F-15-78	HMCT-16961-010	E-18-18	HS04-38235-003	F-13-4	HZV5-24818-003	F-15-10
HCO-94001-12490-0S	F-10-27	HME5-91304-003	E-3-28	HS04-90190-000	E-13-11	HZV5-24820-010	F-15-11
HCO-94002-04490-0S	FOP-9-21	HME9-16960-000	E-18-10-37	HS0A-91540-003	E-19-12	HZV5-24830-010	F-15-12
HCO-94002-05490-0S	F-15-79	HMEEL-90007-003	E-2-31	HS0A-91541-003	E-3-30	HZV5-24836-000	F-15-13
HCO-94002-12490-0S	FOP-8-27	HMG9-35701-950	F-8-10-2	HS0A-91541-003	F-7-10	HZV5-24841-000	F-15-14
HCO-94101-10880	E-13-14	HMG9-35701-950	F-11-20-3	HS0A-91541-003	F-7-10-19	HZV5-24845-000	F-15-15
HCO-94103-05400	FOP-3-25	HMG9-35701-950	F-15-41	HS0A-91541-003	F-11-20-61	HZV5-24850-000	F-15-16

HZV5-24854-000. . . . . F-15-17  
HZV5-24855-000. . . . . F-15-18  
HZV5-24860-000. . . . . F-15-19  
HZV5-24865-000. . . . . F-15-20  
HZV5-24875-000. . . . . F-15-21  
HZV5-24876-000. . . . . F-15-22  
HZV5-24878-000. . . . . F-15-23  
HZV5-24881-000. . . . . F-15-24  
HZV5-24883-000. . . . . F-15-25  
HZV5-24884-000. . . . . F-15-26  
HZV5-24885-000. . . . . F-15-27  
HZV5-24887-000. . . . . F-15-28  
HZV5-24891-000. . . . . F-15-29  
HZV5-24892-000. . . . . F-15-30  
HZV5-24894-000. . . . . F-15-31  
HZV5-24895-000. . . . . F-15-32  
HZV5-24897-000. . . . . F-15-33  
HZV5-24898-000. . . . . F-15-34  
HZV5-30598-000. . . . . F-7-20-5  
HZV5-32823-003. . . . . F-15-36  
HZV5-32823-003. . . . . F-15-2-31  
HZV5-32823-003. . . . . FOP-2-4-3  
HZV5-32823-003. . . . . FOP-3-10  
HZV5-32823-003. . . . . FOP-3-1-5  
HZV5-32823-003. . . . . FOP-8-38  
HZV5-32824-003. . . . . F-15-37  
HZV5-32824-003. . . . . F-15-2-32  
HZV5-32824-003. . . . . FOP-2-4-4  
HZV5-32824-003. . . . . FOP-3-11  
HZV5-32824-003. . . . . FOP-3-1-6  
HZV5-32870-823. . . . . F-15-40  
HZV5-36104-821. . . . . FOP-9-6  
HZV5-36129-822. . . . . F-11-20-9  
HZV5-36136-821. . . . . F-11-20-10  
HZV5-36180-033. . . . . F-15-42  
HZV5-36180-033. . . . . F-15-2-38  
HZV5-36180-033. . . . . FOP-3-14  
HZV5-36180-033. . . . . FOP-3-1-8  
HZV5-38410-003. . . . . F-15-47  
HZV5-38410-003. . . . . F-15-2-42  
HZV5-38410-003. . . . . FOP-3-20  
HZV5-38410-003. . . . . FOP-3-1-13  
HZV5-40102-000. . . . . E-18-10-40  
HZV5-40102-000. . . . . F-7-30-2  
HZV5-40102-000. . . . . F-8-4  
HZV5-40102-000. . . . . F-8-10-3  
HZV5-40204-000. . . . . F-3-5  
HZV5-41116-000. . . . . F-4-15  
HZV5-41172-000. . . . . F-13-5  
HZV5-41172-000. . . . . FOP-9-7  
HZV5-50335-000. . . . . F-10-6  
HZV5-50342-300. . . . . F-10-8  
HZV5-50515-000. . . . . F-11-10  
HZV5-50522-000. . . . . F-11-11  
HZV5-50527-000. . . . . F-11-12  
HZV5-56118-820. . . . . F-10-11  
HZV5-56512-000. . . . . F-11-20-33  
HZV5-56513-000. . . . . F-10-12  
HZV5-56532-000. . . . . F-11-20-35  
HZV5-58151-000. . . . . F-5-13  
HZV5-90001-791. . . . . F-11-20-38  
HZV5-90010-000. . . . . F-4-1-19  
HZV5-90010-000. . . . . FOP-1-11  
HZV5-90012-013. . . . . E-3-16  
HZV5-90108-000. . . . . F-10-14  
HZV5-90115-000. . . . . F-3-11-14  
HZV5-90115-821. . . . . F-11-20-40  
HZV5-90119-000. . . . . F-3-17  
HZV5-90119-000. . . . . F-11-20-41  
HZV5-90119-000. . . . . FOP-9-14  
HZV5-90125-000. . . . . F-15-54  
HZV5-90126-000. . . . . F-3-10-14  
HZV5-90127-003. . . . . F-8-22  
HZV5-90127-003. . . . . FOP-9-15  
HZV5-90131-000. . . . . E-6-15  
HZV5-90134-821. . . . . F-11-20-42  
HZV5-90301-000. . . . . F-5-15  
HZV5-90302-000. . . . . F-11-22  
HZV5-90302-003. . . . . F-7-20-24  
HZV5-90303-000. . . . . F-4-21  
HZV5-90304-013. . . . . F-10-17  
HZV5-90307-003. . . . . F-11-24  
HZV5-90308-003. . . . . F-3-19  
HZV5-90501-000. . . . . F-11-25  
HZV5-90502-000. . . . . F-10-19  
HZV5-90503-000. . . . . F-5-16  
HZV5-90504-000. . . . . F-11-26  
HZV5-90506-020. . . . . F-5-17  
HZV5-90508-000. . . . . F-5-18  
HZV5-90518-000. . . . . F-4-23  
HZV5-90519-000. . . . . F-4-23  
HZV5-90520-000. . . . . F-4-23  
HZV5-90521-000. . . . . F-4-23  
HZV5-90528-000. . . . . F-5-19  
HZV5-90529-000. . . . . F-5-19  
HZV5-90530-000. . . . . F-5-19  
HZV5-90531-000. . . . . F-5-19  
HZV5-90552-000. . . . . F-3-22  
HZV5-90552-000. . . . . F-10-21  
HZV5-90552-000. . . . . FOP-8-24  
HZV5-90557-000. . . . . F-15-63  
HZV5-90559-000. . . . . F-10-22  
HZV5-90559-000. . . . . FOP-8-25  
HZV5-90563-000. . . . . F-3-10-20  
HZV5-90563-000. . . . . F-3-11-23  
HZV5-90751-000. . . . . F-15-64  
HZV5-90752-003. . . . . F-4-24  
HZV5-90752-003. . . . . F-4-1-27  
HZV5-90752-003. . . . . FOP-1-14  
HZV5-90756-000. . . . . E-6-18  
HZV5-90756-000. . . . . F-3-25  
HZV5-90756-000. . . . . F-3-10-21  
HZV5-90756-000. . . . . F-3-11-25  
HZV5-90756-000. . . . . F-4-25  
HZV5-90756-000. . . . . F-4-1-28  
HZV5-90758-000. . . . . F-3-10-22  
HZV5-90758-000. . . . . F-5-20  
HZV5-90772-000. . . . . F-15-65  
HZV5-91053-003. . . . . F-5-22  
HZV5-91054-003. . . . . F-4-27  
HZV5-91151-000. . . . . F-15-67  
HZV5-91203-821. . . . . F-11-20-45  
HZV5-91256-003. . . . . F-11-34  
HZV5-91302-821. . . . . F-11-20-47  
HZV5-91304-821. . . . . F-11-20-48  
HZV5-91311-822. . . . . F-11-20-49  
HZV5-91318-822. . . . . F-11-20-50  
HZV5-91352-000. . . . . F-10-25  
HZV5-91553-010. . . . . E-18-10-48  
HZV5-91553-010. . . . . E-20-10-10  
HZV5-91553-010. . . . . F-7-20-25  
HZV5-91553-010. . . . . F-7-30-4  
HZV5-91553-010. . . . . F-8-28  
HZV5-91556-000. . . . . F-10-26  
HZV5-91560-000. . . . . F-11-36  
HZV5-91567-000. . . . . F-15-69  
HZV5-91570-000. . . . . F-15-70  
HZV7-90951-010. . . . . F-11-33  
HZW1-12217-010. . . . . E-2-3  
HZW1-17736-000. . . . . F-15-1  
HZW1-19242-800. . . . . F-4-1-8  
HZW1-19242-800. . . . . FOP-1-9  
HZW1-19286-800. . . . . F-3-11-2  
HZW1-24102-800. . . . . F-5-1-2  
HZW1-24103-800. . . . . F-5-1-3  
HZW1-24210-010. . . . . F-2-9  
HZW1-24320-800. . . . . F-4-11  
HZW1-24320-800. . . . . F-4-1-13  
HZW1-24327-000. . . . . F-4-1-2  
HZW1-24327-000. . . . . F-4-1-14  
HZW1-24343-802. . . . . F-4-1-15  
HZW1-24629-000. . . . . F-2-17  
HZW1-24800-V21. . . . . F-15-1-1  
HZW1-24811-V21. . . . . F-15-1-2  
HZW1-24812-V21. . . . . F-15-1-3  
HZW1-24813-V21. . . . . F-15-1-4  
HZW1-24816-V21. . . . . F-15-1-5  
HZW1-24819-V21. . . . . F-15-1-6  
HZW1-24820-V21. . . . . F-15-1-7  
HZW1-24821-003. . . . . F-15-1-8  
HZW1-24822-V21. . . . . F-15-1-9  
HZW1-24825-V01. . . . . F-15-1-10  
HZW1-24829-003. . . . . F-15-1-11  
HZW1-24830-V21. . . . . F-15-1-12  
HZW1-24834-003. . . . . F-15-1-13  
HZW1-24836-V21. . . . . F-15-1-14  
HZW1-24839-V01. . . . . F-15-1-15  
HZW1-24841-V01. . . . . F-15-1-16  
HZW1-24843-V01. . . . . F-15-1-17  
HZW1-24845-V01. . . . . F-15-1-18  
HZW1-24847-V01. . . . . F-15-1-19  
HZW1-24848-V01. . . . . F-15-1-20  
HZW1-24865-V01. . . . . F-15-1-21  
HZW1-24870-V21. . . . . F-15-1-22  
HZW1-24873-V01. . . . . F-15-1-23  
HZW1-24883-V01. . . . . F-15-1-24  
HZW1-35180-003. . . . . F-15-1-28  
HZW1-35182-003. . . . . F-15-1-29  
HZW1-35370-V01. . . . . F-15-1-30  
HZW1-40107-700. . . . . F-8-10-5  
HZW1-41102-800. . . . . F-3-11-4  
HZW1-41109-800. . . . . F-3-10-8  
HZW1-41109-800. . . . . F-3-11-10  
HZW1-41116-800. . . . . F-4-1-17  
HZW1-41131-B01. . . . . F-4-1-18  
HZW1-41201-B02ZD. . . . . F-5-1-12  
HZW1-50214-000. . . . . F-11-6  
HZW1-58130-W03ZA. . . . . FOP-6-1  
HZW1-58130-W13ZA. . . . . FOP-6-1  
HZW1-58130-W24ZA. . . . . FOP-6-1  
HZW1-58130-W33ZA. . . . . FOP-6-1  
HZW1-58130-W64ZA. . . . . FOP-6-1  
HZW1-87538-740. . . . . F-12-11  
HZW1-87705-003. . . . . F-15-1-31  
HZW1-87706-003. . . . . F-15-1-32  
HZW1-87707-003. . . . . F-15-1-32  
HZW1-90013-000. . . . . E-13-10  
HZW1-90013-000. . . . . E-18-10-43  
HZW1-90013-000. . . . . F-8-17  
HZW1-90014-000. . . . . E-14-15  
HZW1-90104-900. . . . . F-3-11-13  
HZW1-90136-003. . . . . F-15-1-33  
HZW1-90137-003. . . . . F-15-1-34  
HZW1-90138-003. . . . . F-15-1-35  
HZW1-90139-003. . . . . F-15-1-36  
HZW1-90140-003. . . . . F-15-1-37  
HZW1-90142-003. . . . . F-15-1-38  
HZW1-90143-003. . . . . F-15-1-39  
HZW1-90145-003. . . . . F-15-1-40  
HZW1-90203-000. . . . . F-7-8  
HZW1-90203-000. . . . . F-7-10-15  
HZW1-90242-000. . . . . F-4-1-21  
HZW1-90301-800. . . . . F-5-1-14  
HZW1-90303-B03. . . . . F-4-1-22  
HZW1-90314-003. . . . . F-15-1-41  
HZW1-90506-800. . . . . F-5-1-15  
HZW1-90508-800. . . . . F-5-1-16  
HZW1-90518-800. . . . . F-4-1-26  
HZW1-90519-800. . . . . F-4-1-26  
HZW1-90520-800. . . . . F-4-1-26  
HZW1-90521-800. . . . . F-4-1-26  
HZW1-90528-800. . . . . F-5-1-17  
HZW1-90529-800. . . . . F-5-1-17  
HZW1-90530-800. . . . . F-5-1-17  
HZW1-90531-800. . . . . F-5-1-17  
HZW1-90551-003. . . . . F-15-1-42  
HZW1-90552-003. . . . . F-15-1-43  
HZW1-90559-000. . . . . F-3-26  
HZW1-90653-003. . . . . F-15-1-44  
HZW1-90753-003. . . . . F-15-1-45  
HZW1-90758-800. . . . . F-3-11-26  
HZW1-90758-800. . . . . F-5-1-18  
HZW1-90953-003. . . . . F-15-1-46  
HZW1-91051-B02. . . . . F-5-1-20  
HZW1-91052-B02. . . . . F-4-1-29  
HZW1-91054-B31. . . . . F-4-1-30  
HZW1-91101-003. . . . . F-5-23  
HZW1-91101-003. . . . . F-5-1-22  
HZW1-91351-B02. . . . . F-3-11-32  
HZW1-91351-B02. . . . . F-5-1-24  
HZW1-91553-003. . . . . F-15-1-47  
HZW1-91554-000. . . . . E-14-24  
HZW2-90003-000. . . . . E-20-10-9  
HZW2-90003-000. . . . . F-7-20-18  
HZW2-90301-F00. . . . . F-7-20-23  
HZW2-91251-F01. . . . . F-3-30-28  
HZW4-30280-H11. . . . . F-11-20-1  
HZW4-32543-H01. . . . . FOP-8-36  
HZW4-32544-H01. . . . . FOP-8-37  
HZW4-36123-H12. . . . . F-11-20-7  
HZW4-36125-H11. . . . . F-11-20-8  
HZW4-53113-H01. . . . . FOP-8-60  
HZW4-53115-H02. . . . . FOP-8-63  
HZW4-53116-H01. . . . . FOP-8-65  
HZW4-53116-H11. . . . . FOP-8-7  
HZW4-56114-H11. . . . . F-11-20-17  
HZW4-56115-H11. . . . . F-11-20-18  
HZW4-56150-H11. . . . . F-11-20-23  
HZW4-56182-H11. . . . . F-11-20-28  
HZW4-56191-H11. . . . . F-11-20-30  
HZW4-56192-H11. . . . . F-11-20-31  
HZW4-56517-H11. . . . . F-11-20-34  
HZW4-58130-H02ZA. . . . . FOP-6-1  
HZW4-58130-H32ZA. . . . . FOP-6-1  
HZW4-58130-H43ZA. . . . . FOP-6-1  
HZW4-58130-H53ZA. . . . . FOP-6-1  
HZW4-90082-H01. . . . . E-2-37  
HZW4-90101-H00. . . . . FOP-8-13  
HZW4-90104-H01. . . . . FOP-8-88  
HZW4-90108-000. . . . . F-15-53  
HZW4-90111-H11. . . . . F-11-20-39  
HZW4-90126-000. . . . . E-14-20  
HZW4-90126-000. . . . . E-21-21  
HZW4-90146-000. . . . . E-15-3  
HZW4-90158-000. . . . . E-2-38  
HZW4-90168-000. . . . . F-8-10-20  
HZW4-90303-H00. . . . . FOP-8-18  
HZW4-90306-003. . . . . F-3-30-22  
HZW4-90306-003. . . . . F-10-18  
HZW4-90401-000. . . . . F-15-57  
HZW4-90401-000. . . . . FOP-9-16  
HZW4-90402-000. . . . . F-15-58  
HZW4-90501-000. . . . . F-3-30-23  
HZW4-90502-H02. . . . . FOP-8-96  
HZW4-90504-H01. . . . . FOP-8-99  
HZW4-90651-000. . . . . F-11-31  
HZW4-90921-H11. . . . . F-11-20-44  
HZW4-91051-H02. . . . . FOP-8-101  
HZW4-91052-H01. . . . . FOP-8-102  
HZW4-91252-003. . . . . F-3-10-24  
HZW4-91252-003. . . . . F-5-24  
HZW4-91301-003. . . . . F-3-10-26  
HZW4-91301-003. . . . . F-3-10-27  
HZW4-91301-003. . . . . F-3-11-29  
HZW4-91301-003. . . . . F-3-11-30  
HZW4-91351-H11. . . . . F-11-20-51  
HZW4-91352-H11. . . . . F-11-20-52  
HZW4-91355-H11. . . . . F-11-20-55  
HZW4-91356-H11. . . . . F-11-20-57  
HZW4-91357-H11. . . . . F-11-20-58  
HZW4-91359-H11. . . . . F-11-20-60  
HZW4-91552-H00. . . . . FOP-8-26  
HZW5-06241-U00. . . . . FOP-4-2  
HZW5-06241-U10. . . . . FOP-4-2-2  
HZW5-06900-U00. . . . . FOP-7-1  
HZW5-16081-010. . . . . E-18-10-19  
HZW5-16733-000. . . . . E-14-4  
HZW5-24810-U01. . . . . FOP-4-3  
HZW5-24810-U01. . . . . FOP-4-2-3  
HZW5-24810-U11. . . . . FOP-4-2-4  
HZW5-24811-U01. . . . . FOP-4-4  
HZW5-24811-U01. . . . . FOP-4-2-5  
HZW5-24812-U01. . . . . FOP-4-5  
HZW5-24812-U01. . . . . FOP-4-2-6  
HZW5-24813-U01. . . . . FOP-4-6  
HZW5-24813-U01. . . . . FOP-4-2-7  
HZW5-24813-U21. . . . . FOP-4-2-8  
HZW5-24814-U01. . . . . FOP-4-7  
HZW5-24814-U01. . . . . FOP-4-2-9  
HZW5-24815-U01. . . . . FOP-4-8  
HZW5-24816-U01. . . . . FOP-4-9  
HZW5-24816-U01. . . . . FOP-4-2-10  
HZW5-24816-U01. . . . . FOP-4-4-8  
HZW5-24817-U01. . . . . FOP-4-10  
HZW5-24817-U01. . . . . FOP-4-2-11  
HZW5-24818-U01. . . . . FOP-4-11  
HZW5-24818-U01. . . . . FOP-4-12  
HZW5-24819-U01. . . . . FOP-4-12  
HZW5-24825-U01. . . . . FOP-4-14  
HZW5-24825-U01. . . . . FOP-4-2-15  
HZW5-24826-U01. . . . . FOP-4-15

HZW5-24826-U01 . . . . . FOP-4-2-16  
 HZW5-24826-U01 . . . . . FOP-4-4-10  
 HZW5-24831-U01 . . . . . FOP-4-16  
 HZW5-24831-U01 . . . . . FOP-4-2-17  
 HZW5-24831-U01 . . . . . FOP-4-4-12  
 HZW5-24832-U01 . . . . . FOP-4-17  
 HZW5-24832-U01 . . . . . FOP-4-2-18  
 HZW5-24832-U01 . . . . . FOP-4-4-13  
 HZW5-24834-U01 . . . . . FOP-4-18  
 HZW5-24834-U21 . . . . . FOP-4-2-19  
 HZW5-32167-650 . . . . . F-15-1-27  
 HZW5-35370-U02 . . . . . FOP-4-20  
 HZW5-35370-U02 . . . . . FOP-4-2-22  
 HZW5-35370-U12 . . . . . FOP-4-2-23  
 HZW5-90018-000 . . . . . E-2-34  
 HZW5-90021-U00 . . . . . FOP-7-2  
 HZW5-90023-000 . . . . . F-2-22  
 HZW5-90101-U00 . . . . . FOP-4-22  
 HZW5-90101-U00 . . . . . FOP-4-2-25  
 HZW5-90101-U00 . . . . . FOP-4-4-20  
 HZW5-90102-U00 . . . . . FOP-4-23  
 HZW5-90102-U00 . . . . . FOP-4-2-26  
 HZW5-90103-U01 . . . . . FOP-4-24  
 HZW5-90103-U01 . . . . . FOP-4-2-27  
 HZW5-90104-U00 . . . . . FOP-4-25  
 HZW5-90104-U00 . . . . . FOP-4-2-28  
 HZW5-90105-U01 . . . . . FOP-4-26  
 HZW5-90105-U01 . . . . . FOP-4-2-29  
 HZW5-90106-U00 . . . . . FOP-4-27  
 HZW5-90106-U00 . . . . . FOP-4-2-30  
 HZW5-90107-U00 . . . . . FOP-4-28  
 HZW5-90107-U00 . . . . . FOP-4-2-31  
 HZW5-90108-U00 . . . . . FOP-4-2-32  
 HZW5-90109-000 . . . . . FOP-3-22  
 HZW5-90109-000 . . . . . FOP-3-1-15  
 HZW5-90301-U00 . . . . . FOP-4-29  
 HZW5-90301-U00 . . . . . FOP-4-2-33  
 HZW5-90302-U21 . . . . . FOP-4-2-34  
 HZW5-90501-000 . . . . . F-2-25  
 HZW5-90501-U00 . . . . . FOP-4-30  
 HZW5-90501-U00 . . . . . FOP-4-2-35  
 HZW5-90501-U00 . . . . . FOP-4-4-26  
 HZW5-90502-U00 . . . . . FOP-4-32  
 HZW5-90502-U00 . . . . . FOP-4-2-37  
 HZW5-90503-U00 . . . . . FOP-4-33  
 HZW5-90503-U00 . . . . . FOP-4-2-38  
 HZW5-90511-U00 . . . . . FOP-7-3  
 HZW5-90512-U00 . . . . . FOP-7-4  
 HZW5-90606-030 . . . . . E-2-39  
 HZW5-90652-003 . . . . . E-18-25  
 HZW5-91054-003 . . . . . F-5-1-21  
 HZW5-91251-003 . . . . . F-2-36  
 HZW6-87124-U80 . . . . . FOP-8-10  
 HZW6-90751-000 . . . . . F-10-24  
 HZW6-90752-000 . . . . . F-11-32  
 HZW7-24810-U01 . . . . . FOP-4-4-2  
 HZW7-24811-U01 . . . . . FOP-4-4-3  
 HZW7-24812-U01 . . . . . FOP-4-4-4  
 HZW7-24813-U01 . . . . . FOP-4-4-5  
 HZW7-24814-U01 . . . . . FOP-4-4-6  
 HZW7-24815-U01 . . . . . FOP-4-4-7  
 HZW7-24817-U01 . . . . . FOP-4-4-9  
 HZW7-24832-U01 . . . . . FOP-4-4-14  
 HZW7-24833-U01 . . . . . FOP-4-4-15  
 HZW7-32530-U00 . . . . . FOP-4-19  
 HZW7-32530-U00 . . . . . FOP-4-2-20  
 HZW7-32530-U10 . . . . . FOP-4-2-21  
 HZW7-32530-U20 . . . . . FOP-4-4-16  
 HZW7-35370-U02 . . . . . FOP-4-4-17  
 HZW7-87703-U00 . . . . . FOP-4-4-19  
 HZW7-90101-U01 . . . . . FOP-4-4-21  
 HZW7-90102-U01 . . . . . FOP-4-4-22  
 HZW7-90103-U01 . . . . . FOP-4-4-23  
 HZW7-90104-U01 . . . . . FOP-4-4-24  
 HZW7-90301-U01 . . . . . FOP-4-4-25  
 HZW7-90502-U00 . . . . . FOP-4-4-27  
 HZW9-19279-000 . . . . . F-3-30-12  
 HZW9-19291-000 . . . . . F-3-30-13  
 HZW9-19297-000 . . . . . F-3-30-14  
 HZW9-19300-003 . . . . . E-2-19  
 HZW9-19303-003 . . . . . E-2-49  
 HZW9-19315-000 . . . . . E-2-20  
 HZW9-19317-000 . . . . . E-2-21  
 HZW9-28462-003 . . . . . F-13-2  
 HZW9-50212-003 . . . . . FOP-8-4  
 HZW9-50219-010 . . . . . FOP-8-6  
 HZW9-53130-000 . . . . . FOP-8-79  
 HZW9-53133-000 . . . . . FOP-8-83  
 HZW9-63718-000 . . . . . F-8-11  
 HZW9-87133-500 . . . . . F-12-7  
 HZW9-87511-000 . . . . . FOP-8-28  
 HZW9-87532-640 . . . . . FOP-8-29  
 HZW9-87702-800 . . . . . F-15-50  
 HZW9-90003-000 . . . . . E-2-28  
 HZW9-90008-000 . . . . . F-15-51  
 HZW9-90009-000 . . . . . F-10-13  
 HZW9-90011-000 . . . . . E-3-15  
 HZW9-90011-000 . . . . . E-18-22  
 HZW9-90011-000 . . . . . F-7-20-19  
 HZW9-90013-000 . . . . . E-3-17  
 HZW9-90013-000 . . . . . F-7-7  
 HZW9-90013-000 . . . . . F-7-20-20  
 HZW9-90014-000 . . . . . F-7-20-21  
 HZW9-90014-000 . . . . . F-8-10-15  
 HZW9-90016-000 . . . . . E-19-6  
 HZW9-90101-003 . . . . . F-3-10-10  
 HZW9-90101-003 . . . . . F-3-11-11  
 HZW9-90102-000 . . . . . F-4-1-20  
 HZW9-90102-000 . . . . . FOP-8-14  
 HZW9-90102-000 . . . . . FOP-9-13  
 HZW9-90103-010 . . . . . F-3-13  
 HZW9-90105-000 . . . . . E-20-2  
 HZW9-90105-000 . . . . . F-3-14  
 HZW9-90105-000 . . . . . F-3-30-21  
 HZW9-90105-000 . . . . . F-4-18  
 HZW9-90154-000 . . . . . F-11-20  
 HZW9-90162-000 . . . . . FOP-8-17  
 HZW9-90305-000 . . . . . FOP-8-19  
 HZW9-90517-000 . . . . . F-2-29  
 HZW9-90517-000 . . . . . FOP-8-23  
 HZW9-91303-000 . . . . . E-2-44  
 HZY1-53549-871 . . . . . F-11-20-12  
 HZY1-56161-871 . . . . . F-11-20-24  
 HZY1-90205-000 . . . . . F-3-10-15  
 HZY1-90205-000 . . . . . F-3-11-18  
 HZY1-90650-003 . . . . . FOP-8-10  
 HZY3-14515-000 . . . . . E-13-7  
 HZY3-15113-000 . . . . . F-3-30-2  
 HZY3-16011-A01 . . . . . E-18-10-1  
 HZY3-16024-000 . . . . . E-18-10-5  
 HZY3-16026-000 . . . . . E-18-10-6  
 HZY3-16082-000 . . . . . E-18-10-21  
 HZY3-16083-000 . . . . . E-18-10-22  
 HZY3-16752-000 . . . . . E-18-10-34  
 HZY3-16752-A00 . . . . . E-14-5  
 HZY3-19270-000 . . . . . F-3-30-8  
 HZY3-19271-000 . . . . . F-3-30-9  
 HZY3-19272-000 . . . . . F-3-30-10  
 HZY3-23173-010 . . . . . F-3-30-15  
 HZY3-24318-000 . . . . . F-4-10  
 HZY3-24318-000 . . . . . F-4-1-12  
 HZY3-24618-000 . . . . . F-2-13  
 HZY3-24619-000 . . . . . F-2-15  
 HZY3-31106-003 . . . . . F-11-20-2  
 HZY3-35673-003 . . . . . E-2-26  
 HZY3-35673-003 . . . . . E-3-13  
 HZY3-38216-003 . . . . . F-7-20-12  
 HZY3-40119-003 . . . . . F-8-10-6  
 HZY3-40219-013 . . . . . F-3-7  
 HZY3-40219-013 . . . . . F-11-20-11  
 HZY3-50209-A00 . . . . . FOP-9-8  
 HZY3-63205-000 . . . . . F-2-19  
 HZY3-90015-000 . . . . . F-3-10-9  
 HZY3-90016-000 . . . . . E-3-19  
 HZY3-90016-000 . . . . . E-19-7  
 HZY3-90017-000 . . . . . E-2-33  
 HZY3-90017-000 . . . . . E-3-20  
 HZY3-90017-000 . . . . . E-19-9  
 HZY3-90017-000 . . . . . F-2-21  
 HZY3-90021-000 . . . . . E-3-21  
 HZY3-90021-000 . . . . . E-18-10-44  
 HZY3-90021-000 . . . . . F-7-20-22  
 HZY3-90029-000 . . . . . E-14-16  
 HZY3-90030-000 . . . . . E-2-35  
 HZY3-90030-000 . . . . . E-3-22  
 HZY3-90031-000 . . . . . E-14-17  
 HZY3-90035-000 . . . . . E-3-23  
 HZY3-90036-000 . . . . . E-14-18  
 HZY3-90056-000 . . . . . E-14-19  
 HZY3-90056-000 . . . . . F-2-23  
 HZY3-90063-000 . . . . . E-2-36  
 HZY3-90103-000 . . . . . F-3-10-11  
 HZY3-90103-000 . . . . . FOP-8-15  
 HZY3-90107-000 . . . . . F-7-10-14  
 HZY3-90111-000 . . . . . F-8-20  
 HZY3-90111-000 . . . . . F-8-10-18  
 HZY3-90117-000 . . . . . F-11-19  
 HZY3-90120-000 . . . . . F-3-10-13  
 HZY3-90120-000 . . . . . F-3-11-15  
 HZY3-90132-000 . . . . . F-8-10-19  
 HZY3-90133-000 . . . . . F-3-11-17  
 HZY3-90205-000 . . . . . E-14-21  
 HZY3-90405-000 . . . . . F-7-10-17  
 HZY3-90508-000 . . . . . F-2-26  
 HZY3-90751-000 . . . . . F-2-33  
 HZY3-91254-003 . . . . . F-3-10-25  
 HZY3-91254-003 . . . . . F-3-11-28  
 HZY3-91254-003 . . . . . F-4-29  
 HZY3-91254-003 . . . . . F-4-1-32  
 HZY3-91255-003 . . . . . F-2-37  
 HZY3-91556-000 . . . . . F-4-1-33  
 HZY6-16016-003 . . . . . E-15-1  
 HZY6-16723-003 . . . . . E-18-10-29  
 HZY6-17845-000 . . . . . F-2-3  
 HZY6-17931-000 . . . . . F-2-7  
 HZY6-19289-000 . . . . . F-8-1  
 HZY6-36135-003 . . . . . E-18-20  
 HZY6-36551-003 . . . . . E-14-12  
 HZY6-56118-000 . . . . . FOP-9-12  
 HZY6-90023-000 . . . . . E-19-10  
 HZY6-90043-000 . . . . . F-3-30-19  
 HZY6-90105-000 . . . . . F-5-14  
 HZY6-90116-000 . . . . . F-4-20  
 HZY6-90116-000 . . . . . FOP-1-12  
 HZY6-90123-000 . . . . . F-3-11-16  
 HZY6-90123-000 . . . . . F-5-1-13  
 HZY6-90301-000 . . . . . F-8-23  
 HZY6-90651-000 . . . . . F-3-30-27  
 HZY6-91552-000 . . . . . F-4-33  
 HZY6-91552-000 . . . . . F-4-1-36  
 HZY6-91552-000 . . . . . FOP-1-18  
 HZY6-91553-000 . . . . . F-8-29  
 HZY6-91553-000 . . . . . F-8-10-22  
 HZY9-14430-000 . . . . . E-9-6  
 HZY9-14441-000 . . . . . E-9-7  
 HZY9-14442-000 . . . . . E-9-8  
 HZY9-14751-003 . . . . . E-9-15  
 HZY9-14752-003 . . . . . E-9-16  
 HZY9-16081-003 . . . . . E-18-10-20  
 HZY9-16196-000 . . . . . E-18-3  
 HZY9-16721-003 . . . . . E-18-10-28  
 HZY9-16896-003 . . . . . E-14-6  
 HZY9-16896-003 . . . . . E-18-16  
 HZY9-16896-003 . . . . . F-7-20-2  
 HZY9-17877-000 . . . . . F-2-5  
 HZY9-17878-000 . . . . . F-2-6  
 HZY9-24221-000 . . . . . F-2-10  
 HZY9-24612-000 . . . . . F-2-11  
 HZY9-24614-000 . . . . . F-2-12  
 HZY9-24618-000 . . . . . F-2-14  
 HZY9-24628-000 . . . . . F-2-16  
 HZY9-30419-003 . . . . . E-20-10-1  
 HZY9-30419-003 . . . . . F-7-20-4  
 HZY9-35645-000 . . . . . F-8-3  
 HZY9-35695-003 . . . . . E-2-27  
 HZY9-36104-003 . . . . . F-11-20-4  
 HZY9-37210-A02 . . . . . FOP-8-46  
 HZY9-38400-A00 . . . . . FOP-8-47  
 HZY9-38402-A00 . . . . . FOP-8-48  
 HZY9-38553-003 . . . . . F-7-20-15  
 HZY9-53232-A00 . . . . . FOP-8-8  
 HZY9-63232-010 . . . . . F-8-7  
 HZY9-63232-010 . . . . . F-8-10-12  
 HZY9-63237-000 . . . . . F-8-8  
 HZY9-63237-000 . . . . . F-8-10-13  
 HZY9-82873-000 . . . . . F-8-15  
 HZY9-82874-000 . . . . . F-8-16  
 HZY9-87117-000 . . . . . F-12-2  
 HZY9-90102-000 . . . . . F-3-12  
 HZY9-90103-000 . . . . . F-8-18  
 HZY9-90104-000 . . . . . F-8-10-16  
 HZY9-90113-003 . . . . . F-8-21  
 HZY9-90201-000 . . . . . E-3-24  
 HZY9-90508-000 . . . . . F-2-27  
 HZY9-90509-000 . . . . . F-2-28  
 HZY9-90651-000 . . . . . F-2-31  
 HZY9-90751-000 . . . . . F-8-26  
 HZY9-90754-000 . . . . . F-8-10-21  
 HZY9-90755-000 . . . . . F-8-27  
 HZY9-90951-A01 . . . . . FOP-8-100  
 HZY9-91553-000 . . . . . F-8-10-23  
 HZY9-91554-000 . . . . . F-8-30  
 HZY9-91554-000 . . . . . F-8-10-25  
 HZZ0-19241-000 . . . . . F-4-1-7  
 HZZ0-24124-000 . . . . . F-5-1-7  
 HZZ0-24310-000 . . . . . F-4-1-11  
 HZZ0-41101-000ZD . . . . . F-3-11-3  
 HZZ0-41102-000 . . . . . F-3-11-5  
 HZZ0-41103-000 . . . . . F-3-11-6  
 HZZ0-41104-010 . . . . . F-3-11-7  
 HZZ0-41105-010 . . . . . F-3-11-8  
 HZZ0-41107-000ZD . . . . . F-3-11-9  
 HZZ0-58130-D81ZB . . . . . FOP-6-1  
 HZZ0-90101-000 . . . . . F-3-11-12  
 HZZ3-06115-000 . . . . . EOP-1-1  
 HZZ3-06125-000 . . . . . F-3-10-1  
 HZZ3-06125-E00 . . . . . F-3-11-1  
 HZZ3-06193-010 . . . . . FOP-1-1  
 HZZ3-06194-000 . . . . . FOP-1-1  
 HZZ3-06240-R30 . . . . . FOP-4-1  
 HZZ3-06240-R40 . . . . . FOP-4-4-1  
 HZZ3-06240-R60 . . . . . FOP-4-2-1  
 HZZ3-06323-R20 . . . . . FOP-3-1  
 HZZ3-06323-R30 . . . . . FOP-3-1-1  
 HZZ3-06328-763 . . . . . FOP-2-4-1  
 HZZ3-06357-000 . . . . . FOP-9-1  
 HZZ3-06411-000 . . . . . FOP-9-2  
 HZZ3-06531-000 . . . . . FOP-8-10-1  
 HZZ3-06533-ROOZA . . . . . FOP-8-1  
 HZZ3-11106-300 . . . . . E-3-1  
 HZZ3-11320-000ZA . . . . . E-6-1  
 HZZ3-11381-003 . . . . . E-6-2  
 HZZ3-11911-000 . . . . . E-3-3  
 HZZ3-12000-405ZA . . . . . E-3-4  
 HZZ3-12109-000 . . . . . E-3-5  
 HZZ3-12166-000 . . . . . F-3-30-1  
 HZZ3-12210-000ZA . . . . . E-2-2  
 HZZ3-12241-000 . . . . . E-2-4  
 HZZ3-12251-003 . . . . . E-2-5  
 HZZ3-12310-000 . . . . . E-2-6  
 HZZ3-12312-000 . . . . . E-2-7  
 HZZ3-12357-000 . . . . . E-15-10-1  
 HZZ3-12359-000 . . . . . E-15-10-2  
 HZZ3-13010-010 . . . . . E-7-1  
 HZZ3-13101-010 . . . . . E-7-2  
 HZZ3-13210-000 . . . . . E-7-5  
 HZZ3-13311-000 . . . . . E-7-7  
 HZZ3-13331-003 . . . . . E-7-10  
 HZZ3-13621-000 . . . . . E-13-1  
 HZZ3-13622-000 . . . . . E-13-2  
 HZZ3-13623-000 . . . . . E-13-3  
 HZZ3-14110-000 . . . . . E-9-3  
 HZZ3-14221-003 . . . . . E-9-4  
 HZZ3-14261-000 . . . . . E-13-4  
 HZZ3-14400-004 . . . . . E-13-5  
 HZZ3-14510-003 . . . . . E-13-6  
 HZZ3-14631-000 . . . . . E-9-9  
 HZZ3-15100-000 . . . . . E-5-1  
 HZZ3-15121-000 . . . . . E-5-2  
 HZZ3-15220-003 . . . . . E-6-3  
 HZZ3-15223-000 . . . . . E-6-4  
 HZZ3-15236-000 . . . . . E-5-5  
 HZZ3-15422-000 . . . . . E-2-8  
 HZZ3-15655-000 . . . . . E-6-5  
 HZZ3-16019-003 . . . . . E-18-10-3  
 HZZ3-16020-003 . . . . . E-18-10-4  
 HZZ3-16192-000 . . . . . E-18-2  
 HZZ3-16195-000 . . . . . E-18-10-23  
 HZZ3-16196-000 . . . . . E-18-10-24  
 HZZ3-16197-000 . . . . . E-18-4  
 HZZ3-16198-000 . . . . . E-18-5  
 HZZ3-16199-000 . . . . . E-18-6



HZZ3-16400-003. . . . .E-15-2  
 HZZ3-16450-003. . . . .E-14-1  
 HZZ3-16700-003. . . . .E-2-10  
 HZZ3-16708-003. . . . .E-18-10-25  
 HZZ3-16717-000. . . . .E-2-11  
 HZZ3-16730-003. . . . .E-18-10-30  
 HZZ3-16748-000. . . . .E-18-8  
 HZZ3-16755-003. . . . .E-18-9  
 HZZ3-16816-000. . . . .E-18-10  
 HZZ3-16850-A01. . . . .E-18-11  
 HZZ3-16865-A00. . . . .E-18-12  
 HZZ3-16866-A00. . . . .E-18-13  
 HZZ3-16871-A00. . . . .E-18-14  
 HZZ3-16895-003. . . . .E-18-15  
 HZZ3-16914-000. . . . .E-14-7  
 HZZ3-16915-000. . . . .E-2-16  
 HZZ3-17105-000. . . . .E-14-8  
 HZZ3-17110-003. . . . .E-14-10  
 HZZ3-17201-000. . . . .E-15-10-4  
 HZZ3-17202-000. . . . .E-15-10-5  
 HZZ3-17840-000. . . . .F-2-2  
 HZZ3-17860-000. . . . .F-2-4  
 HZZ3-17910-A41. . . . .FOP-8-30  
 HZZ3-17931-A41. . . . .FOP-8-31  
 HZZ3-18211-000. . . . .F-3-30-4  
 HZZ3-18330-000. . . . .E-6-6  
 HZZ3-18333-000. . . . .E-6-7  
 HZZ3-18334-000. . . . .F-3-1  
 HZZ3-18337-000. . . . .F-3-2  
 HZZ3-19221-000. . . . .F-4-2  
 HZZ3-19221-000. . . . .F-4-1-2  
 HZZ3-19221-000. . . . .FOP-1-3  
 HZZ3-19223-000. . . . .F-4-3  
 HZZ3-19223-000. . . . .F-4-1-3  
 HZZ3-19223-000. . . . .FOP-1-4  
 HZZ3-19228-000. . . . .F-4-4  
 HZZ3-19228-000. . . . .F-4-1-4  
 HZZ3-19228-000. . . . .FOP-1-5  
 HZZ3-19231-000. . . . .F-4-5  
 HZZ3-19231-000. . . . .F-4-1-5  
 HZZ3-19231-000. . . . .FOP-1-6  
 HZZ3-19234-000. . . . .F-4-6  
 HZZ3-19234-000. . . . .FOP-1-7  
 HZZ3-19234-E00. . . . .F-4-1-6  
 HZZ3-19234-E00. . . . .FOP-1-8  
 HZZ3-19251-000. . . . .F-4-7  
 HZZ3-19251-E00. . . . .F-4-1-9  
 HZZ3-19253-000. . . . .F-4-8  
 HZZ3-19253-000. . . . .F-4-1-10  
 HZZ3-19253-000. . . . .FOP-1-10  
 HZZ3-19255-000. . . . .F-3-30-5  
 HZZ3-19256-000. . . . .F-3-30-6  
 HZZ3-19257-000. . . . .F-3-30-7  
 HZZ3-19277-000. . . . .F-3-30-11  
 HZZ3-19286-000. . . . .F-3-10-2  
 HZZ3-19361-000. . . . .E-2-22  
 HZZ3-19371-000. . . . .E-2-23  
 HZZ3-23170-405ZA. . . . .E-6-9  
 HZZ3-23172-003. . . . .E-6-10  
 HZZ3-24101-000. . . . .F-5-1  
 HZZ3-24101-E00. . . . .F-5-1-1  
 HZZ3-24113-000. . . . .F-5-4  
 HZZ3-24113-E00. . . . .F-5-1-4  
 HZZ3-24122-000. . . . .F-5-5  
 HZZ3-24122-E00. . . . .F-5-1-5  
 HZZ3-24123-000. . . . .F-5-6  
 HZZ3-24123-E00. . . . .F-5-1-6  
 HZZ3-24124-000. . . . .F-5-7  
 HZZ3-24310-000. . . . .F-4-9  
 HZZ3-24343-000. . . . .F-4-13  
 HZZ3-24590-A41. . . . .FOP-8-32  
 HZZ3-24614-A41. . . . .FOP-8-33  
 HZZ3-24615-A41. . . . .FOP-8-34  
 HZZ3-24630-000. . . . .F-2-18  
 HZZ3-24800-P12. . . . .F-15-2-1  
 HZZ3-24800-R00. . . . .F-15-2  
 HZZ3-24820-R11. . . . .FOP-4-13  
 HZZ3-24820-R21. . . . .FOP-4-2-14  
 HZZ3-24830-R41. . . . .FOP-4-4-11  
 HZZ3-30416-000. . . . .F-7-20-3  
 HZZ3-30511-003. . . . .E-20-10-2  
 HZZ3-30512-003. . . . .E-20-10-3  
 HZZ3-30513-003. . . . .E-20-10-4  
 HZZ3-30515-000. . . . .E-20-10-5  
 HZZ3-30516-000. . . . .E-20-10-6  
 HZZ3-30517-010. . . . .E-20-10-7  
 HZZ3-31145-000. . . . .F-7-30-1  
 HZZ3-31200-003. . . . .E-21-1  
 HZZ3-31212-003. . . . .E-21-2  
 HZZ3-31213-003. . . . .E-21-3  
 HZZ3-31214-003. . . . .E-21-4  
 HZZ3-31215-003. . . . .E-21-5  
 HZZ3-31216-003. . . . .E-21-6  
 HZZ3-31217-003. . . . .E-21-7  
 HZZ3-31224-003. . . . .E-21-8  
 HZZ3-31225-003. . . . .E-21-9  
 HZZ3-31226-003. . . . .E-21-10  
 HZZ3-31231-003. . . . .E-21-11  
 HZZ3-31235-003. . . . .E-21-12  
 HZZ3-31236-003. . . . .E-21-13  
 HZZ3-31240-003. . . . .E-21-14  
 HZZ3-31246-003. . . . .E-21-15  
 HZZ3-31247-003. . . . .E-21-16  
 HZZ3-31249-003. . . . .E-21-17  
 HZZ3-31250-003. . . . .E-21-18  
 HZZ3-31258-000. . . . .E-21-19  
 HZZ3-31261-003. . . . .E-21-20  
 HZZ3-31630-003. . . . .E-19-1  
 HZZ3-31630-A01. . . . .E-19-1  
 HZZ3-31631-003. . . . .E-19-2  
 HZZ3-31632-003. . . . .E-19-3  
 HZZ3-31632-A01. . . . .E-19-3  
 HZZ3-31636-000. . . . .E-19-4  
 HZZ3-31750-003. . . . .E-3-8  
 HZZ3-31752-000. . . . .E-3-9  
 HZZ3-31754-000. . . . .E-3-10  
 HZZ3-31756-000. . . . .E-3-11  
 HZZ3-31908-003. . . . .E-2-24  
 HZZ3-32100-020. . . . .F-7-1  
 HZZ3-32101-000. . . . .F-7-20-6  
 HZZ3-32102-000. . . . .F-7-20-7  
 HZZ3-32127-000. . . . .F-7-2  
 HZZ3-32186-000. . . . .FOP-2-4-2  
 HZZ3-32341-R31. . . . .FOP-3-5  
 HZZ3-32346-R21. . . . .FOP-3-6  
 HZZ3-32346-R31. . . . .FOP-3-1-3  
 HZZ3-32347-R01. . . . .FOP-3-7  
 HZZ3-32410-000. . . . .F-7-10-3  
 HZZ3-32411-000. . . . .F-7-10-4  
 HZZ3-32538-A41. . . . .FOP-8-35  
 HZZ3-32581-000. . . . .F-8-10-1  
 HZZ3-32766-003. . . . .E-20-10-8  
 HZZ3-34750-043. . . . .E-20-1  
 HZZ3-35100-R01. . . . .FOP-8-39  
 HZZ3-35100-R11. . . . .F-15-39  
 HZZ3-35100-R11. . . . .F-15-2-33  
 HZZ3-35100-R11. . . . .FOP-3-13  
 HZZ3-35100-R11. . . . .FOP-3-1-7  
 HZZ3-35180-A42. . . . .FOP-8-41  
 HZZ3-35340-741. . . . .F-7-40-1  
 HZZ3-35340-A42. . . . .FOP-8-42  
 HZZ3-35341-740. . . . .F-7-40-2  
 HZZ3-35342-740. . . . .F-7-40-3  
 HZZ3-35343-740. . . . .F-7-40-4  
 HZZ3-35344-740. . . . .F-7-40-5  
 HZZ3-35345-741. . . . .F-7-40-6  
 HZZ3-35470-023. . . . .F-7-20-9  
 HZZ3-35475-000. . . . .F-7-20-10  
 HZZ3-35490-003. . . . .E-3-12  
 HZZ3-35640-003. . . . .F-8-2  
 HZZ3-35640-A41. . . . .FOP-8-43  
 HZZ3-35645-000. . . . .F-7-20-11  
 HZZ3-35645-A41. . . . .F-15-2-36  
 HZZ3-35645-A41. . . . .FOP-8-44  
 HZZ3-35655-003. . . . .E-2-25  
 HZZ3-35660-003. . . . .F-10-2  
 HZZ3-35745-741. . . . .FOP-9-5  
 HZZ3-36120-003. . . . .F-11-20-5  
 HZZ3-36122-003. . . . .F-11-20-6  
 HZZ3-37205-R01. . . . .FOP-3-17  
 HZZ3-38216-003. . . . .F-7-4  
 HZZ3-38550-003. . . . .F-7-20-13  
 HZZ3-38552-000. . . . .F-7-20-14  
 HZZ3-38553-000. . . . .F-7-20-16  
 HZZ3-38580-003. . . . .F-7-5  
 HZZ3-38582-000. . . . .F-7-20-17  
 HZZ3-40105-000. . . . .F-8-10-4  
 HZZ3-40105-A00. . . . .FOP-8-3  
 HZZ3-40151-000ZC. . . . .F-8-10-7  
 HZZ3-40154-000ZC. . . . .F-8-10-8  
 HZZ3-40155-000. . . . .F-8-5  
 HZZ3-40201-000ZD. . . . .F-3-3  
 HZZ3-41100-010ZD. . . . .F-3-20-1  
 HZZ3-41100-E00ZD. . . . .F-3-20-1  
 HZZ3-41101-000ZD. . . . .F-3-10-3  
 HZZ3-41102-000. . . . .F-3-10-4  
 HZZ3-41104-010. . . . .F-3-10-5  
 HZZ3-41105-010. . . . .F-3-10-6  
 HZZ3-41112-000. . . . .F-4-14  
 HZZ3-41112-E00. . . . .F-4-1-16  
 HZZ3-41117-000. . . . .F-4-16  
 HZZ3-41131-000. . . . .F-4-17  
 HZZ3-41140-000. . . . .F-5-8  
 HZZ3-41140-E00. . . . .F-5-1-8  
 HZZ3-41151-000. . . . .F-5-9  
 HZZ3-41151-E00. . . . .F-5-1-9  
 HZZ3-41160-000. . . . .F-5-10  
 HZZ3-41160-E00. . . . .F-5-1-10  
 HZZ3-41161-000. . . . .F-5-11  
 HZZ3-41161-E00. . . . .F-5-1-11  
 HZZ3-41201-000ZD. . . . .F-5-12  
 HZZ3-50101-000. . . . .F-11-1  
 HZZ3-50111-000. . . . .F-3-8  
 HZZ3-50151-000. . . . .F-3-30-16  
 HZZ3-50155-000. . . . .F-3-9  
 HZZ3-50161-000ZEE. . . . .F-11-2  
 HZZ3-50166-000. . . . .F-3-30-17  
 HZZ3-50201-000ZC. . . . .F-11-3  
 HZZ3-50218-000. . . . .FOP-8-5  
 HZZ3-50222-000. . . . .FOP-9-9  
 HZZ3-50223-000. . . . .FOP-9-10  
 HZZ3-50224-000. . . . .FOP-9-11  
 HZZ3-50301-010ZC. . . . .F-10-3  
 HZZ3-50311-000ZC. . . . .F-10-4  
 HZZ3-50380-000. . . . .F-10-10  
 HZZ3-50417-000. . . . .F-11-9  
 HZZ3-50529-000. . . . .F-11-13  
 HZZ3-53101-A41ZD. . . . .FOP-8-49  
 HZZ3-53102-A41. . . . .FOP-8-50  
 HZZ3-53103-A41. . . . .FOP-8-51  
 HZZ3-53104-A41. . . . .FOP-8-52  
 HZZ3-53105-A41. . . . .FOP-8-53  
 HZZ3-53106-A41. . . . .FOP-8-54  
 HZZ3-53108-A41. . . . .FOP-8-55  
 HZZ3-53109-A41. . . . .FOP-8-56  
 HZZ3-53110-A41. . . . .FOP-8-57  
 HZZ3-53111-A41. . . . .FOP-8-58  
 HZZ3-53112-A41. . . . .FOP-8-59  
 HZZ3-53113-A41. . . . .FOP-8-61  
 HZZ3-53114-A41. . . . .FOP-8-62  
 HZZ3-53115-A41. . . . .FOP-8-64  
 HZZ3-53117-A41. . . . .FOP-8-66  
 HZZ3-53118-A41. . . . .FOP-8-67  
 HZZ3-53119-A41. . . . .FOP-8-68  
 HZZ3-53120-A41. . . . .FOP-8-69  
 HZZ3-53121-A41. . . . .FOP-8-70  
 HZZ3-53122-A41. . . . .FOP-8-71  
 HZZ3-53123-A41. . . . .FOP-8-72  
 HZZ3-53124-A41. . . . .FOP-8-73  
 HZZ3-53125-A41. . . . .FOP-8-74  
 HZZ3-53126-A41. . . . .FOP-8-75  
 HZZ3-53127-A41. . . . .FOP-8-76  
 HZZ3-53128-A41. . . . .FOP-8-77  
 HZZ3-53129-A41. . . . .FOP-8-78  
 HZZ3-53130-A41. . . . .FOP-8-80  
 HZZ3-53131-A41. . . . .FOP-8-81  
 HZZ3-53132-A41. . . . .FOP-8-82  
 HZZ3-53141-A41. . . . .FOP-8-84  
 HZZ3-53142-A41. . . . .FOP-8-85  
 HZZ3-53165-000. . . . .FOP-8-86  
 HZZ3-53234-000. . . . .F-11-14  
 HZZ3-53238-000. . . . .F-11-15  
 HZZ3-53238-000. . . . .FOP-8-10-2  
 HZZ3-53238-610. . . . .F-11-16  
 HZZ3-56000-033. . . . .F-11-20-13  
 HZZ3-56110-013. . . . .F-11-20-14  
 HZZ3-56113-003. . . . .F-11-20-15  
 HZZ3-56123-003. . . . .F-11-20-19  
 HZZ3-56135-013. . . . .F-11-20-21  
 HZZ3-56140-003. . . . .F-11-20-22  
 HZZ3-56163-003. . . . .F-11-20-25  
 HZZ3-56170-003. . . . .F-11-20-26  
 HZZ3-56180-003. . . . .F-11-20-27  
 HZZ3-56190-003. . . . .F-11-20-29  
 HZZ3-56511-003. . . . .F-11-20-32  
 HZZ3-56851-003. . . . .F-11-20-36  
 HZZ3-56860-003. . . . .F-11-20-37  
 HZZ3-58130-W71ZA. . . . .FOP-6-1  
 HZZ3-58130-W81ZA. . . . .FOP-6-1  
 HZZ3-58130-W91ZA. . . . .FOP-6-1  
 HZZ3-63100-010ZC. . . . .F-8-10-10  
 HZZ3-63102-000. . . . .F-8-10-11  
 HZZ3-63710-000ZC. . . . .F-8-9  
 HZZ3-63715-000ZC. . . . .F-8-10  
 HZZ3-63718-000. . . . .F-3-30-18  
 HZZ3-63719-000. . . . .F-3-10  
 HZZ3-63724-000. . . . .F-8-12  
 HZZ3-63731-000ZC. . . . .F-8-13  
 HZZ3-63736-000ZC. . . . .F-8-14  
 HZZ3-87121-R00. . . . .F-12-13  
 HZZ3-87125-R00. . . . .FOP-8-11  
 HZZ3-87132-R00. . . . .F-12-14  
 HZZ3-87133-R00. . . . .F-12-15  
 HZZ3-87301-R00. . . . .F-12-16  
 HZZ3-87531-000. . . . .F-12-10  
 HZZ3-87546-000. . . . .F-12-12  
 HZZ3-87701-R00. . . . .F-15-48  
 HZZ3-87701-R40. . . . .FOP-4-4-18  
 HZZ3-87703-R01. . . . .FOP-4-2-24  
 HZZ3-87703-R81. . . . .FOP-4-21  
 HZZ3-89216-000. . . . .F-13-9  
 HZZ3-90001-003. . . . .E-3-14  
 HZZ3-90002-000. . . . .E-6-11  
 HZZ3-90003-000. . . . .E-2-29  
 HZZ3-90004-000. . . . .E-2-30  
 HZZ3-90005-000. . . . .E-6-12  
 HZZ3-90006-000. . . . .E-6-13  
 HZZ3-90008-000. . . . .E-6-14  
 HZZ3-90011-000. . . . .E-2-32  
 HZZ3-90101-000. . . . .F-3-30-20  
 HZZ3-90103-000. . . . .F-3-10-12  
 HZZ3-90103-A41. . . . .FOP-8-87  
 HZZ3-90106-000. . . . .F-8-19  
 HZZ3-90106-000. . . . .F-8-10-17  
 HZZ3-90111-A41. . . . .FOP-8-89  
 HZZ3-90112-A41. . . . .FOP-8-90  
 HZZ3-90113-A41. . . . .FOP-8-91  
 HZZ3-90114-A41. . . . .FOP-8-92  
 HZZ3-90129-000. . . . .F-10-15  
 HZZ3-90202-000. . . . .E-13-12  
 HZZ3-90302-003. . . . .F-11-20-63  
 HZZ3-90305-A41. . . . .FOP-8-94  
 HZZ3-90501-A41. . . . .FOP-8-95  
 HZZ3-90502-A41. . . . .FOP-8-97  
 HZZ3-90503-A41. . . . .FOP-8-98  
 HZZ3-90651-003. . . . .F-3-24  
 HZZ3-90752-000. . . . .F-2-34  
 HZZ3-90753-000. . . . .F-2-35  
 HZZ3-91052-003. . . . .F-4-26  
 HZZ3-91251-003. . . . .F-3-10-23  
 HZZ3-91251-003. . . . .F-4-28  
 HZZ3-91252-003. . . . .F-3-11-27  
 HZZ3-91252-003. . . . .F-5-1-23  
 HZZ3-91253-003. . . . .F-4-1-31  
 HZZ3-91253-003. . . . .FOP-1-15  
 HZZ3-91254-003. . . . .F-11-20-46  
 HZZ3-91351-000. . . . .F-3-10-28  
 HZZ3-91351-000. . . . .F-4-30  
 HZZ3-91352-000. . . . .F-3-10-29  
 HZZ3-91352-000. . . . .F-5-25  
 HZZ3-91353-003. . . . .F-11-20-53  
 HZZ3-91354-003. . . . .F-11-20-54  
 HZZ3-91355-003. . . . .F-11-20-56  
 HZZ3-91356-000. . . . .F-4-31  
 HZZ3-91356-000. . . . .F-4-1-34  
 HZZ3-91356-000. . . . .FOP-1-16  
 HZZ3-91357-003. . . . .F-11-20-59  
 HZZ3-91405-000. . . . .F-3-30-30  
 HZZ3-91451-000. . . . .F-5-26  
 HZZ3-91552-000. . . . .F-2-40  
 HZZ3-91553-000. . . . .F-8-10-24  
 HZZ3-91554-000. . . . .FOP-8-10-5

HZZ3-91555-000. . . . . F-11-35  
HZZ5-06325-600. . . . . FOP-3-2  
HZZ5-06325-700. . . . . FOP-3-2  
HZZ5-06325-800. . . . . FOP-3-2  
HZZ5-16013-003. . . . . E-18-10-2  
HZZ5-16041-003. . . . . E-18-10-7  
HZZ5-16042-003. . . . . E-18-10-8  
HZZ5-16061-003. . . . . E-18-10-9  
HZZ5-16063-003. . . . . E-18-10-10  
HZZ5-16064-003. . . . . E-18-10-11  
HZZ5-16066-003. . . . . E-18-10-12  
HZZ5-16072-003. . . . . E-18-10-13  
HZZ5-16073-003. . . . . E-18-10-14  
HZZ5-16074-003. . . . . E-18-10-15  
HZZ5-16075-003. . . . . E-18-10-16  
HZZ5-16076-003. . . . . E-18-10-17  
HZZ5-16077-003. . . . . E-18-10-18  
HZZ5-16620-010. . . . . E-14-3  
HZZ5-16709-003. . . . . E-18-10-26  
HZZ5-16718-003. . . . . E-18-10-27  
HZZ5-16735-003. . . . . E-18-10-31  
HZZ5-16740-003. . . . . E-18-10-32  
HZZ5-16900-003. . . . . E-2-12  
HZZ5-16901-003. . . . . E-2-13  
HZZ5-16906-003. . . . . E-2-14  
HZZ5-16911-003. . . . . E-18-10-35  
HZZ5-16912-003. . . . . E-2-15  
HZZ5-16913-003. . . . . E-18-10-36  
HZZ5-16918-003. . . . . E-2-17  
HZZ5-16919-003. . . . . E-2-18  
HZZ5-17107-003. . . . . E-14-9  
HZZ5-17315-000. . . . . E-15-10-6  
HZZ5-17374-000. . . . . E-15-10-7  
HZZ5-24810-D01 . . . . . F-15-2-2  
HZZ5-24811-D01 . . . . . F-15-2-3  
HZZ5-24812-D01 . . . . . F-15-2-4  
HZZ5-24813-D01 . . . . . F-15-2-5  
HZZ5-24814-D01 . . . . . F-15-2-6  
HZZ5-24815-D01 . . . . . F-15-2-7  
HZZ5-24816-D01 . . . . . F-15-2-8  
HZZ5-24817-D01 . . . . . F-15-2-9  
HZZ5-24818-D01 . . . . . F-15-2-10  
HZZ5-24819-D01 . . . . . F-15-2-11  
HZZ5-24821-D01 . . . . . F-15-2-12  
HZZ5-24822-D01 . . . . . F-15-2-13  
HZZ5-24823-D01 . . . . . F-15-2-14  
HZZ5-24824-D01 . . . . . F-15-2-15  
HZZ5-24826-D01 . . . . . F-15-2-16  
HZZ5-24827-D01 . . . . . F-15-2-17  
HZZ5-24828-D01 . . . . . F-15-2-18  
HZZ5-24828-D01 . . . . . F-15-2-75  
HZZ5-24829-D01 . . . . . F-15-2-19  
HZZ5-24831-D01 . . . . . F-15-2-20  
HZZ5-24832-D01 . . . . . F-15-2-21  
HZZ5-24833-D01 . . . . . F-15-2-22  
HZZ5-24845-D01 . . . . . F-15-2-23  
HZZ5-24850-D01 . . . . . F-15-2-24  
HZZ5-24855-D01 . . . . . F-15-2-25  
HZZ5-24875-D01 . . . . . F-15-2-26  
HZZ5-24876-D01 . . . . . F-15-2-27  
HZZ5-24878-D01 . . . . . F-15-2-28  
HZZ5-24883-D01 . . . . . F-15-2-29  
HZZ5-32166-003. . . . . E-18-10-38  
HZZ5-32167-003. . . . . E-18-10-39  
HZZ5-32185-600. . . . . FOP-3-4  
HZZ5-32185-700. . . . . FOP-3-4  
HZZ5-32185-800. . . . . FOP-3-4  
HZZ5-32530-000. . . . . F-15-35  
HZZ5-32530-D01 . . . . . F-15-2-30  
HZZ5-32545-000. . . . . FOP-3-8  
HZZ5-32545-000. . . . . FOP-3-1-4  
HZZ5-32580-600. . . . . FOP-3-9  
HZZ5-32580-700. . . . . FOP-3-9  
HZZ5-32580-800. . . . . FOP-3-9  
HZZ5-32580-D01 . . . . . FOP-3-9  
HZZ5-32580-D11 . . . . . FOP-3-9  
HZZ5-32580-D21 . . . . . FOP-3-9  
HZZ5-35370-D02 . . . . . F-15-2-35  
HZZ5-35701-D01 . . . . . F-15-2-37  
HZZ5-36550-003. . . . . E-14-11  
HZZ5-37210-013. . . . . F-15-45  
HZZ5-37210-712. . . . . FOP-3-1-11  
HZZ5-37210-762. . . . . FOP-3-18  
HZZ5-37210-D01 . . . . . F-15-2-40  
HZZ5-38414-003. . . . . FOP-3-21  
HZZ5-38414-003. . . . . FOP-3-1-14  
HZZ5-38586-003. . . . . F-7-6  
HZZ5-41107-000ZD. . . . . F-3-10-7  
HZZ5-50211-000. . . . . F-11-4  
HZZ5-50340-000. . . . . F-10-7  
HZZ5-53233-000ZD. . . . . FOP-8-9  
HZZ5-87701-D00 . . . . . F-15-2-43  
HZZ5-87702-A00 . . . . . F-15-2-44  
HZZ5-87702-A00 . . . . . F-15-2-45  
HZZ5-87703-P00. . . . . F-15-2-47  
HZZ5-87704-D01 . . . . . F-15-2-48  
HZZ5-90001-000. . . . . E-15-10-10  
HZZ5-90101-D01 . . . . . F-15-2-49  
HZZ5-90102-D01 . . . . . F-15-2-50  
HZZ5-90103-D01 . . . . . F-15-2-51  
HZZ5-90104-D01 . . . . . F-15-2-52  
HZZ5-90106-D01 . . . . . F-15-2-53  
HZZ5-90107-D01 . . . . . F-15-2-54  
HZZ5-90108-D01 . . . . . F-15-2-55  
HZZ5-90109-D01 . . . . . F-15-2-56  
HZZ5-90301-D01 . . . . . F-15-2-57  
HZZ5-90302-D01 . . . . . F-15-2-59  
HZZ5-90501-D01 . . . . . F-15-2-60  
HZZ5-90502-D01 . . . . . F-15-2-61  
HZZ5-90503-D01 . . . . . F-15-2-62  
HZZ5-90504-D01 . . . . . F-15-2-63  
HZZ5-90506-D01 . . . . . F-15-2-64  
HZZ5-90507-D01 . . . . . F-15-2-65  
HZZ5-90508-D01 . . . . . F-15-2-66  
HZZ5-90509-D01 . . . . . F-15-2-67  
HZZ5-90651-D01 . . . . . F-15-2-68  
HZZ5-91051-003. . . . . F-5-21  
HZZ5-91151-D01 . . . . . F-15-2-69  
HZZ5-91152-D01 . . . . . F-15-2-70  
HZZ5-91153-D01 . . . . . F-15-2-71  
HZZ5-91154-D01 . . . . . F-15-2-72  
HZZ5-91156-D01 . . . . . F-15-2-73  
HZZ5-91157-D01 . . . . . F-15-2-74

## Note

## Note

## Note

## Note





**TOHATSU CORPORATION**

**Address : 5-4,3-chome,Azusawa,Itabashi-ku,  
TOKYO,174-0051 JAPAN**

**Phone : TOKYO (03)3966-3117**

**FAX : TOKYO (03)3966-0090**

**Website : [www.tohatsu.co.jp](http://www.tohatsu.co.jp)**

**2017  
PARTS CATALOG**

**BFT 60A  
BFW 60A**